



ZHENJIANG TRUMY INDUSTRIAL CO., LTD.

[Http:// www.trumy.cn](http://www.trumy.cn)

DOOR HINGES SERIES



TRUMY

ZHENJIANG TRUMY INDUSTRIAL CO., LTD.

Add: 9/F No.45 Zhongshan East Road, Zhenjiang,
Jiangsu, China 212001

Tel: +86-511-5020838 Fax: +86-511-5020208 5020647

Contact: Wu changsheng Mobile: +86-13905282606

E-mail: wcs@vip.sina.com wcs@trumy.cn

Website: www.trumy.cn





INTRODUCTION

[HTTP:// WWW.TRUMY.CN](http://www.trumy.cn)



ZHENJIANG TRUMY INDUSTRIAL CO.,LTD , established in 1992, is one of the leading manufacturers and exporters of Door and Building Hardware & Accessories in China. With more than 10 years' experience of manufacturing and exporting our products to more than twenty countries, such as Europe, Southeast Asia, Middle East and South-America, we provide consistently our customers with high quality products, reasonable price and best services. TRUMY has approved ISO 9001 certification and our products have approved CE, UL, CSA, QS9000 certification.

Trumy is now seeking strategic long-term business partners worldwide to further develop its international market shares. If you are interested in our company and products collection, our strict management and QA/QC systems will fulfill your needs, and our credibility, efficiency and innovation will clear your doubts.

We always believe that our success and customer's satisfaction come from the reliable quality of our products, and the reliable quality comes from our strict management and QA/QC systems.

If you want to get any further information about our company, you are welcomed to visit us.

Tel: +86-511-5020838 ■

Fax: +86-511-5020208 ■

P.C.:212001 ■

E-mail: wcs@vip.sina.com ■

wcs@trumy.cn

Website: www.trumy.cn ■

DOOR HINGES SERIES



[Http:// www.trumy.cn](http://www.trumy.cn)

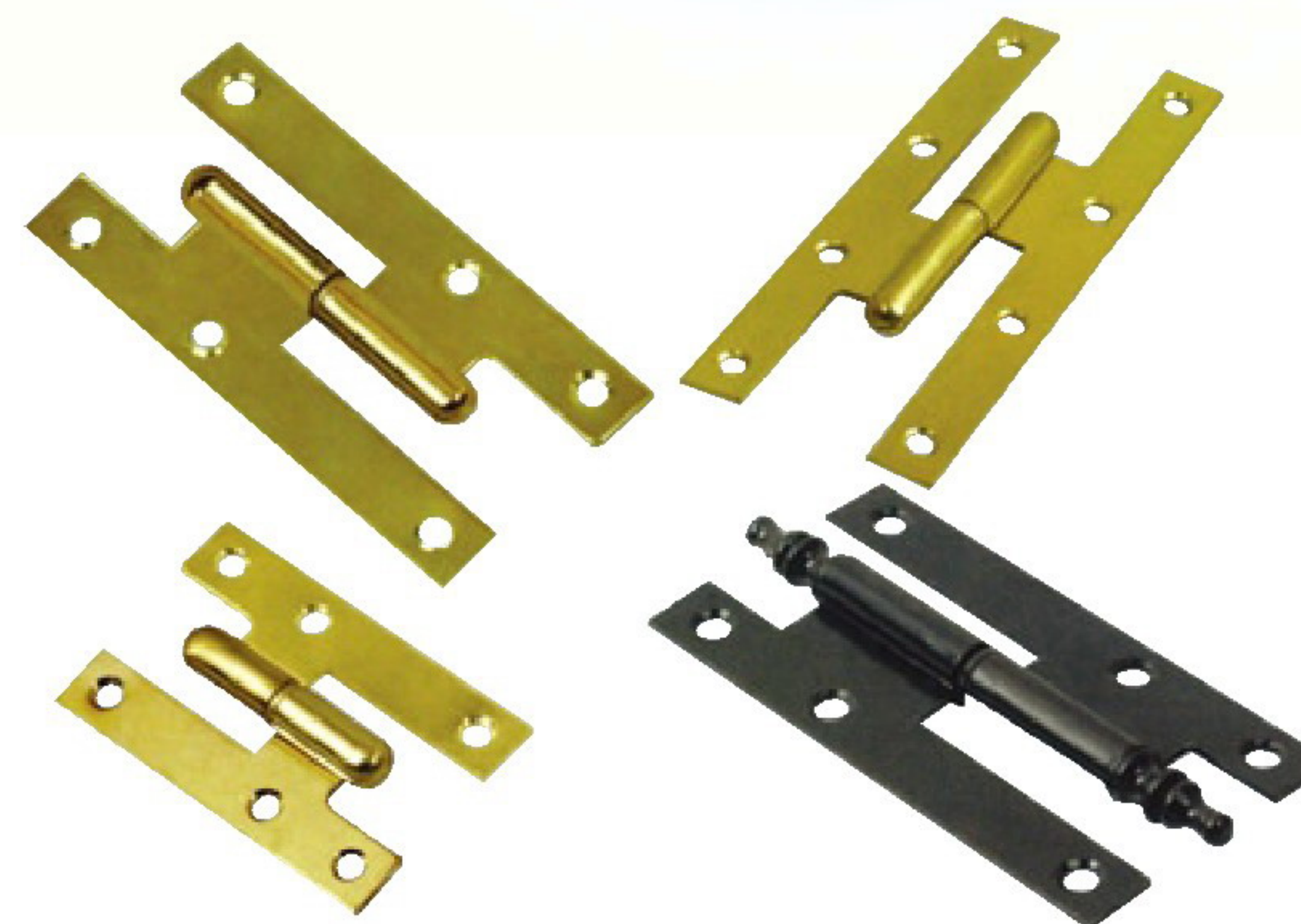
Catalogue

DOOR HINGES SERIES

"H"Iron hinge	01-02
European "H"hinge	03
Bright heavy Iron hinge	04-08
Bright light Iron hinge	09-10
Square hinge	11-13
Round corner square hinge	14-15
Lift-off hinge	16
Ball Bearing hinge	17-18
Flush hinge	19
Nylon steel ring hinge	20-21
Door cabinet hinge & Australian hinge	22-23
Ball-head Square hinge	24-25
Bending hinge & Spring hinge	26
Butterfly hinge & " T" hinge	27
High class Ball-Bearing hinge	28
High class Removable hinge	29
Security hinge	30
Stainless steel hinge	31-32
SS H hinge series	33
SS L hinge series	34-37
SS Safety hinge series & SS Spring hinge series	38
SS ball bearing hinge series	39-41
SS Flag hinge series	42
SS Spring hinge series	43
SS Safety hinge series	44-45
BRASS HINGES	46-55

DOOR HINGES SERIES

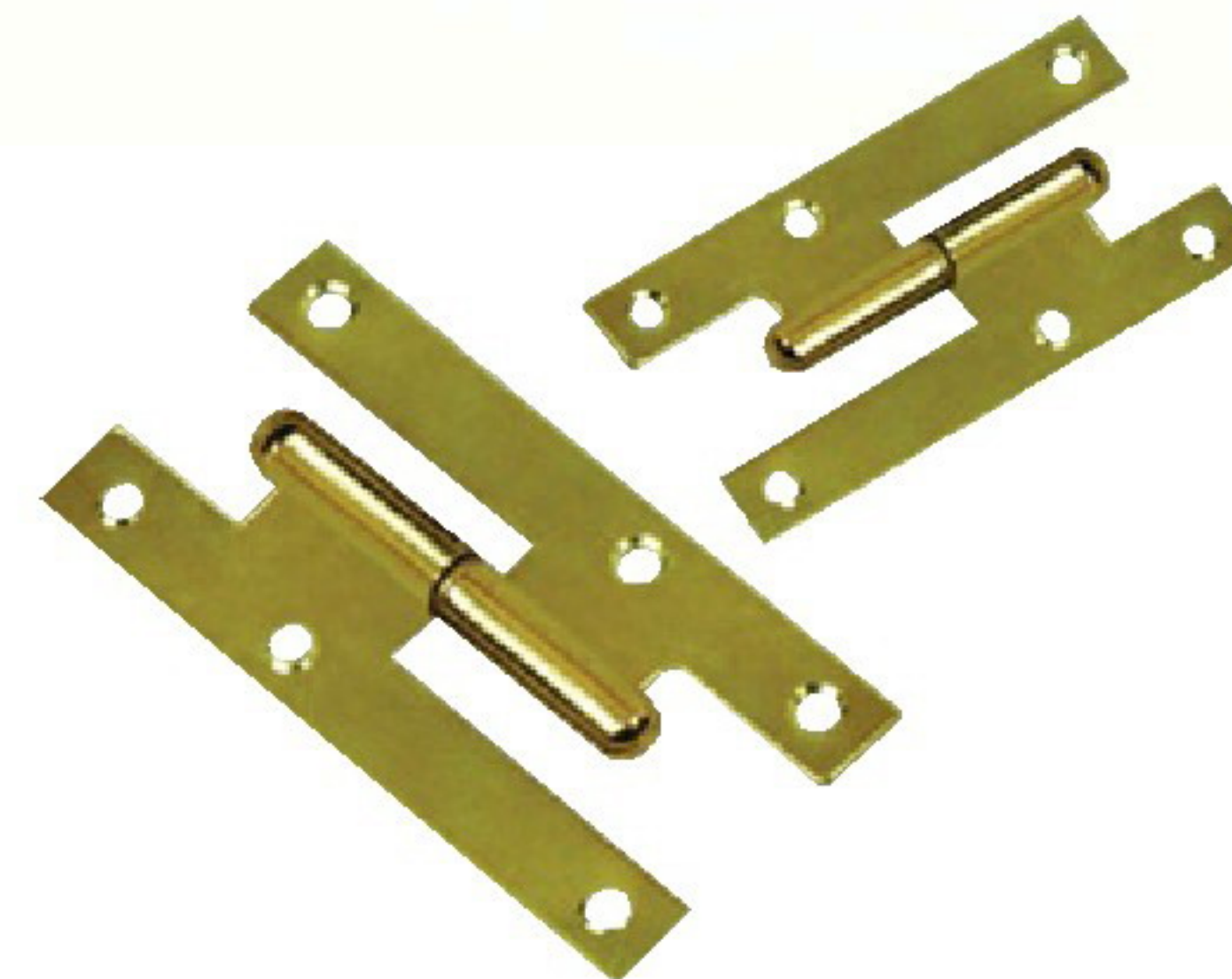
普通H铰 "H"Iron hinge



编号 Item	产品规格及名称 Product Name and Specification	单位 Unit	包装分析 Packing analysis				包装尺寸 Packing size(cm)	
			木箱 Wood box	纸箱 Cardboard box	数量 Quantity	毛重 Gross weight (kg)		净重 Net weight (kg)
01801	80x50x2mm	对打Dozen Pair	√		25	40	38	38x18.5x25
01802	80x50x1.8mm	对打Dozen Pair	√		25	36	34	38x18.5x25
01803	80x47.5x1.6mm	对打Dozen Pair	√		25	33	31	38x18.5x22
01804	80x47.5x1.4mm	对打Dozen Pair	√		25	30	28	38x18.5x22
01805	80x50x2mm	对打Dozen Pair		√	16	24	23	27x19x20
01806	80x50x1.8mm	对打Dozen Pair		√	16	23	22	27x19x20
01807	80x47.5x1.6mm	对打Dozen Pair		√	16	22	21	27x19x17.5
01808	80x46.5x1.6mm	对打Dozen Pair	√		25	32	30	38x18.5x22
01809	80x46.5x1.4mm	对打Dozen Pair	√		25	29	27	38x18.5x22
01810	80x46.5x1.2mm	对打Dozen Pair	√		25	26	24	38x18.5x22
01810A	80x46.5x1.05mm	对打Dozen Pair	√		25	22	21	38x18.5x22
01811	80x46.5x1.8mm	对打Dozen Pair	√		25	34	32	38x18.5x25
01812	80x46.5x1.2mm	对打Dozen Pair		√	20	20	19	35x19x18
01813	80x46.5x1.4mm	对打Dozen Pair		√	16	19	18	27x19x17.5
01814	80x47.5x1.6mm	对打Dozen Pair		√	25	31	30	45x21x17
01951	95x55x2mm	对打Dozen Pair	√		25	48	46	41.5x21.5x26
01952	95x55x1.8mm	对打Dozen Pair	√		25	44	42	41.5x21.5x26
01953	95x53.5x1.6mm	对打Dozen Pair	√		25	40	38	41.5x21.5x23
01954	95x53.5x1.4mm	对打Dozen Pair	√		25	35	33	41.5x21.5x23
01955	95x55x2mm	对打Dozen Pair		√	12	23	22	31x22x16.5

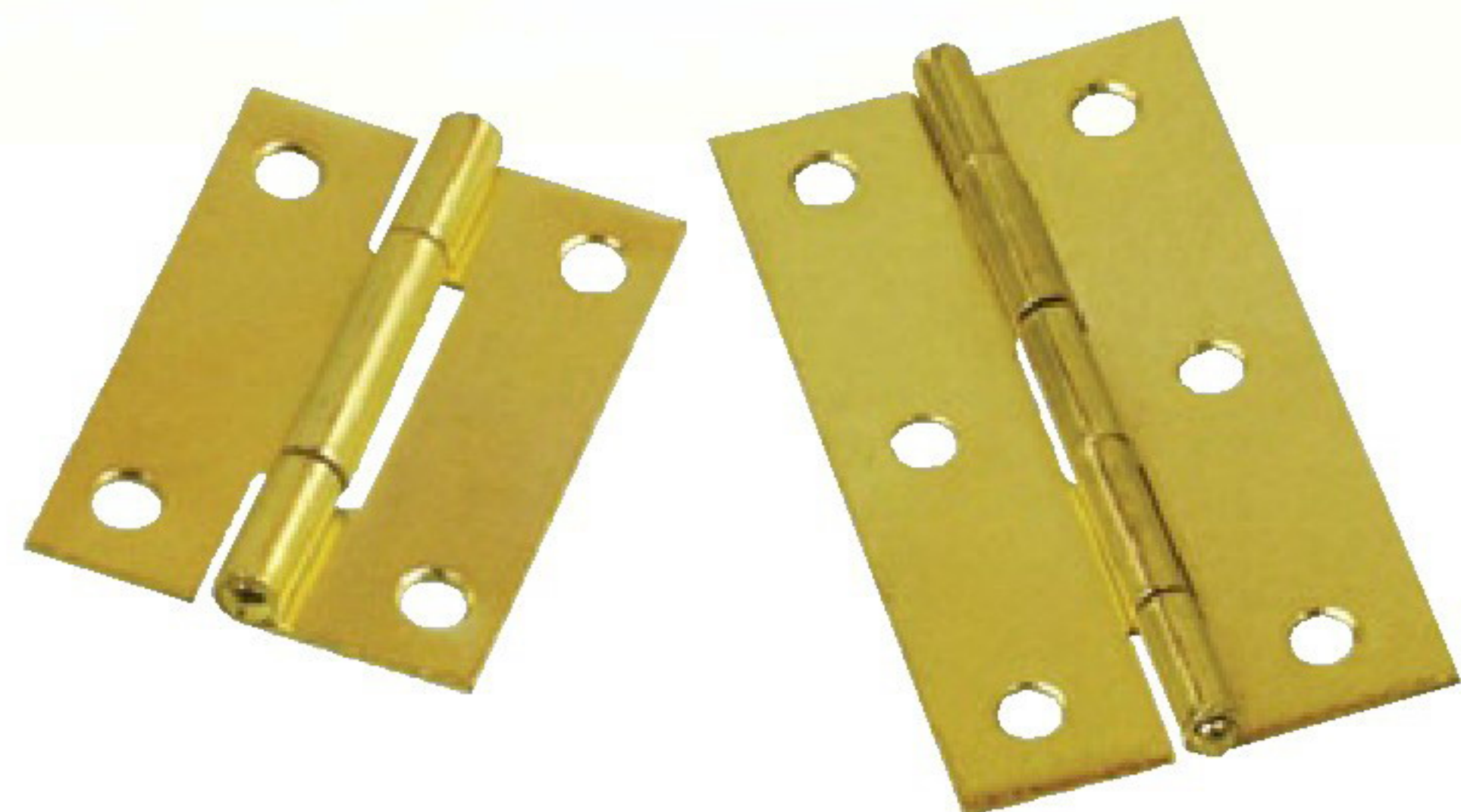
编号 Item	产品规格及名称 Product Name and Specification	单位 Unit	包装分析 Packing analysis					包装尺寸 Packing size(cm)
			木箱 Wood box	纸箱 Cardboard box	数量 Quantity	毛重 Gross weight (kg)	净重 Net weight (kg)	
01956	99x55x1.8mm	对打Dozen Pair		√	12	22	21	31x22x16.5
01957	95x53.5x1.6mm	对打Dozen Pair		√	12	20	19	31x22x14.5
01958	95x51.5x1.25mm	对打Dozen Pair	√		25	31	29	41x22x19.5
01959	95x55x1.8mm	对打Dozen Pair		√	16	24	23	36x24x16
019510	95x55x2mm	对打Dozen Pair		√	16	25	24	36x22x15.5
019511	95x51.5x1.20mm	对打Dozen Pair	√		25	30	28	41x22x19.5
019512	95x51.5x1.25mm	对打Dozen Pair		√	16	20	19	31x21x19
019512A	95x51.5x1.2mm	对打Dozen Pair		√	12	19	18	31x21x19
019513	95x55x2mm	对打Dozen Pair		√	10	19	18	30x26x12
019513A	95x55x2mm	对打Dozen Pair		√	4.167	8.5	7.5	30x17x12
019514	95x51.5x1.4mm	对打Dozen Pair		√	20	29	28	43x22x21
019514A	95x51.5x1.6mm	对打Dozen Pair		√	20	29	28	43x22x21
019515	95x53.5x1.6mm	对打Dozen Pair		√	12	15	15	31x22x14.5
011101	110x55x2mm	对打Dozen Pair	√		20	46	43	41x24.5x20
011102	110x55x1.8mm	对打Dozen Pair	√		20	43	40	41x24.5x20
011103	110x53.5x1.6mm	对打Dozen Pair	√		20	38	35	41x24.5x17.5
011104	110x53.5x1.4mm	对打Dozen Pair	√		20	33.5	30.5	38x25x16.5
011104A	110x53.5x1.4mm	对打Dozen Pair		√	12	19.5	18.5	30x24.5x14
011105	110x55x2mm	对打Dozen Pair		√	12	27	25.5	30x24.5x16
011105A	110x55x2mm	对打Dozen Pair		√	10	22	21	30x24.5x16
011105B	110x55x2mm	对打Dozen Pair		√	10	22	21	30x24.5x16
011106	110x55x1.8mm	对打Dozen Pair		√	12	25	24	30x24.5x16
011107	110x53.5x1.6mm	对打Dozen Pair		√	12	23	21	30.5x24.5x14
011108	110x135x2mm折弯Bending	对打Dozen Pair	√		18	45	42	44x27x25
011109	110x53.5x1.8mm	对打Dozen Pair	√		20	42	40	41x24.5x20
0111010	110x53.5x1.5mm	对打Dozen Pair	√		20	37	35	38x25x16.5
0111011	110x51.5x1.4mm	对打Dozen Pair	√		20	30.5	28.5	38x24.5x16.5
0111012	110x51.5x1.2mm	对打Dozen Pair	√		20	27.5	25.5	38x24x16.5
0111014	110x51.5x1.3mm	对打Dozen Pair		√	12	20	19	28x25x13.5
0111015	110x51.5x1.3mm	对打Dozen Pair	√		20	29	27	38x24.5x16.5
0111015A	110x53.5x1.3mm	对打Dozen Pair	√		20	29	27	38x24.5x16.5
0111016	110x55x1.8mm折弯Bending	对打Dozen Pair	√		20	48	45.3	40.5x25x23
0111017	110x51.5x1.4mm	对打Dozen Pair		√	12	21	20	28x25x13.5
0111018	110x53.5x1.6mm	对打Dozen Pair		√	15	28	27	37x24x20
011401	140x60x2.5mm	对打Dozen Pair	√		15	52	50	44x31x17
011402	140x60x2.3mm	对打Dozen Pair	√		15	48	46	44x31x17
011403	140x57.5x2.1mm	对打Dozen Pair	√		15	44	42	44x31x15
011404	140x57.5x1.8mm	对打Dozen Pair	√		15	38	36	44x31x15
011405	140x57.5x1.6mm	对打Dozen Pair	√		15	34	32	44x31x15
011407	140x60x2.5mm	对打Dozen Pair		√	9	31	30	30.5x25x18
011408	140x60x2.3mm	对打Dozen Pair		√	9	29	28	30.5x25x18
011409	140x57.5x2.1mm	对打Dozen Pair		√	9	26	25	30.5x25x18
0114010	140x60x3mm	对打Dozen Pair	√		10	48	46	49x36x16
0114011	140x57.5x2.1mm	对打Dozen Pair		√	5	16	15	29x17x16
0114011A	140x60x2.1mm	对打Dozen Pair		√	5	16.5	15.5	29x17x16
0114012	137x56.5x1.5mm	对打Dozen Pair	√		15	33	31	44x31x15
0114013	140x57.5x1.6mm	对打Dozen Pair		√	9	20	19	31x24x17
0114013A	140x57.5x1.6mm	对打Dozen Pair		√	10	22	21	31x24x17
0114014	140x56.5x1.4mm	对打Dozen Pair	√		15	32	30	44x31x15
0114014A	140x56.5x1.2mm	对打Dozen Pair	√		15	27	26	44x31x15
0114015	140x60x3mm	对打Dozen Pair		√	5	22	21	31x24x14
0114016	140x57.5x1.8mm	对打Dozen Pair		√	10	25	24	41x25x16
011601	160x60x3mm	对打Dozen Pair	√		10	52	50	37x32x16
011602	160x60x3mm	对打Dozen Pair		√	5	25	24	36x28x13.5
011604	160x60x2.5mm	对打Dozen Pair	√		10	43	40.5	51x26x18

欧式H铰 European "H" hinge



编号 Item	产品规格及名称 Product Name and Specification	单位 Unit	包装分析 Packing analysis					包装尺寸 Packing size(cm)
			木箱 Wood box	纸箱 Cardboard box	数量 Quantity	毛重 Gross weight (kg)	净重 Net weight (kg)	
23801	80x45x2.0mm 圆角Round corner	对打Dozen pair	√		25	38	36	49x21x16
23802	80x45x2.0mm 方角Square corner	对打Dozen pair		√	16	24	23	36x20x13
23803	80x40x2.2mm 圆角Round corner	对打Dozen pair	√		25	41	39	47x21x18
23804	80x40x2.2mm 方角Square corner	对打Dozen pair	√		25	41	39	47x21x18
23805	80x40x2.2mm 圆角Round corner	对打Dozen pair		√	20	31	30	37x21x19
23806	80x40x2.2mm 圆角圆头Round corner with klat head	对打Dozen pair		√	20	25	23.5	32x22x15
23951	95x45x2.0mm 圆角Round corner	对打Dozen pair	√		25	47	46	55x22x17
23952	95x45x2.0mm 方角Square corner	对打Dozen pair	√	√	25	47	46	55x22x17
23953	95x55x2.5mm 方角圆头Square corner with klat head	对打Dozen pair	√		25	65	63	41.5x21.5x26
23954	95x45x2.0mm 方角Square corner	对打Dozen pair		√	12	23	22	32x22x13.5
23955	95x55x2.0mm 方角Square corner	对打Dozen pair		√	12	24	23	33x24x16
23956	95x55x2.0mm 方角Square corner	十付 10Pair		√	16	26	25	38x20x16
23957	95x45x2.2mm 方角Square corner	对打Dozen pair		√	15	28	26.5	32x22x20
23958	95x45x2.5mm 方角圆头Square corner with klat head	对打Dozen pair		√	10	27	26	35x22x14
239512	95x45x2.2mm 方角Square corner	对打Dozen pair		√	15	22.5	21	32x22x13.5
239513	95x55x2.0mm 方角圆头Square corner with klat head	对打Dozen pair		√	12	24	23	32x22x13.5
231101	110x55x2.5mm 圆角Round corner	对打Dozen pair	√		20	60	58	47x24x19
231102	110x55x2.5mm 方角Square corner	对打Dozen pair	√		20	60	58	47x24x19
231103	110x55x2.5mm 圆角Round corner	对打Dozen pair		√	10	29	28	35x24x13
231104	110x55x2.5mm 方角Square corner	对打Dozen pair		√	10	29	28	38x24x13
231105	110x55x2.0mm 方角Square corner	对打Dozen pair	√		20	50	48	41x25x20
231106	110x55x2.5mm 圆角Round corner	对打Dozen pair		√	6.25	19	18.5	30x26x13
231107	110x55x3.0mm 方角圆头Square corner with klat head	对打Dozen pair		√	8	29	28	36x24x13.5
231108	110x55x2.5mm 圆角Round corner	对打Dozen pair		√	8	23	22	35x24x13
231401	140x55x2.5mm 圆角Round corner	对打Dozen pair	√		15	54	52	40x30x19
231402	140x55x2.5mm 方角Square corner	对打Dozen pair	√		15	54	52	40x30x19
231403	140x55x2.5mm 圆角Round corner	对打Dozen pair		√	6	22	21	31x25x13
231404	140x55x2.5mm 方角Square corner	对打Dozen pair		√	6	22	21	31x25x13
231405	140x55x2.5mm 圆角Round corner	对打Dozen pair		√	8	29	28	38x24x13
231407	140x60x2.0mm 方角Square corner	对打Dozen pair	√		15	46	44	44x31x17
231408	140x55x3.0mm 方角圆头Square corner with klat head	对打Dozen pair	√		15	68	65	49x26x27
231409	140x55x2.5mm 圆角Round corner	对打Dozen pair		√	5	18	17	31x23x13.5
2314010	140x55x3.0mm 圆头方角With klat head	对打Dozen pair		√	5	22.5	21.5	31x20x14.5
2314011	140x55x3.0mm 圆头With klat head	对打Dozen pair	√		10	45	43	49x31x13.5

普通厚铰 Bright heavy Iron hinge



编号 Item	产品规格及名称 Product Name and Specification	单位 Unit	包装分析 Packing analysis					
			木箱 Wood box	纸箱 Cardboard box	数量 Quantity	毛重 Gross weight (kg)	净重 Net weight (kg)	包装尺寸 Packing size(cm)
02101	1"(25x23x1.0mm)	对打Dozen Pair	√		200	36	34	40x17x21
02101A	1"(25x23x0.9mm)	对打Dozen Pair		√	200	34	32	40x17x21
02101B	1"(25x23x0.9mm)	对打Dozen Pair		√	100	16	15	28x17x14
02102	1"(25x23x1.0mm)	对打Dozen Pair	√		300	53	50.5	40x21x26
02103	1"(25x23x1.0mm)带螺丝With Screw	对打Dozen Pair	√		200	43.5	41	31x24x24
02104	1"(25x23x1.0mm)带螺丝With Screw	对打Dozen Pair	√		300	64	61	37.5x24x29
02105	1"(25x23x1.0mm)	对打Dozen Pair		√	150	27	25.5	33x21x13.5
02105A	1"(25x23x0.9mm)	对打Dozen Pair		√	50	9	8	22x13.5x12
02105B	1"(25x23x0.9mm)带螺丝With Screw	对打Dozen Pair		√	50	10.5	9.5	22x13.5x12
02106	1"(25x23x1.0mm)带螺丝With Screw	对打Dozen Pair		√	100	22	21	28x23x13.5
02107	1"(25x23x1.0mm)	十付10 Pair		√	180	27	25.5	31.5x20x16.5
02108	1"(25x23x0.9mm)	十付10 Pair		√	100	22	21	40x17x21
021011	1"(25x23x1.0mm)抽芯Loose pin	对打Dozen Pair	√		200	36	34	31x24x24
021021	1"(25x23x1.0mm)抽芯Loose pin	对打Dozen Pair	√		300	53	50.5	37.5x24x29
021031	1"(25x23x1.0mm)抽芯带螺丝Loose pin with screw	对打Dozen Pair	√		200	43.5	41	33x21x13.5
021041	1"(25x23x1.0mm)抽芯带螺丝Loose pin with screw	对打Dozen Pair	√		300	64	61	28x23x13.5
021051	1"(25x23x1.0mm)抽芯Loose pin	对打Dozen Pair		√	150	27	25.5	26x18x18
021061	1"(25x23x1.0mm)抽芯带螺丝Loose pin with screw	对打Dozen Pair		√	100	22	21	33x20x14
02151	1.5"(38x30x1.2)	对打Dozen Pair	√		100	38.5	36.5	38.5x25x15
02152	1.5"(38x30x1.2mm)带螺丝With Screw	对打Dozen Pair	√		100	44.5	42	38.5x25x21
02153	1.5"(38x28x1.0mm)	对打Dozen Pair	√		100	34	32	38.5x25x16
02153C	1.5"(38x28x0.9mm)带螺丝With Screw	对打Dozen Pair	√		100	30	28	38.5x25x15
02154	1.5"(38x28x1.0mm)带螺丝With Screw	对打Dozen Pair	√		100	40	38	38.5x25x21
02154A	1.5"(38x28x0.8mm)带螺丝With Screw	对打Dozen Pair		√	100	33	31	38.5x25x21
02155	1.5"(38x30x1.2mm)	对打Dozen Pair		√	80	30	29	35x20x15
02155A	1.5"(38x30x1.15mm)	对打Dozen Pair		√	100	31	30	36.5x24x11

普通厚铰 Bright heavy Iron hinge

编号 Item	产品规格及名称 Product Name and Specification	单位 Unit	包装分析 Packing analysis					
			木箱 Wood box	纸箱 Cardboard box	数量 Quantity	毛重 Gross weight (kg)	净重 Net weight (kg)	包装尺寸 Packing size(cm)
02155B	1.5"(38x30x1.15mm)	对打Dozen Pair		√	50	18	17	32x18x11
02155C	1.5"(38x30x1.15mm)带螺丝With Screw	对打Dozen Pair		√	50	23	21	32x18x15.5
02156	1.5"(38x30x1.2mm)带螺丝With Screw	对打Dozen Pair		√	50	22	21	32x18x15.5
02157	1.5"(38x30x1.0mm)	对打Dozen Pair		√	80	27	25.5	35x20x15
02158	1.5"(38x30x1.0mm)带螺丝With Screw	对打Dozen Pair		√	50	20	19	32x18x15.5
02158A	1.5"(38x30x1.0mm)	对打Dozen Pair		√	50	18	17	32x18x11
02159	1.5"(38x30x1.2mm)	十付10 Pair		√	100	32	30.5	36.5x24x11
021510	1.5"(38x30x1.0mm)	十付10 Pair		√	100	27	25.5	36.5x24x11
021513	1.5"(38x30x1.2mm)带螺丝With Screw	十付10 Pair	√		100	37	35	38.5x25x21
021512	1.5"(38x30x1.2mm)带螺丝With Screw	对打Dozen Pair		√	70	25	23	36.5x26.5x12
021511	1.5"(38x30x1.2mm)抽芯Loose pin	对打Dozen Pair	√		100	38.5	36.5	38.5x25x15
021521	1.5"(38x30x1.2mm)抽芯带螺丝Loose pin with screw	对打Dozen Pair	√		100	44.5	42	38.5x25x21
021531	1.5"(38x30x1.0mm)抽芯Loose pin	对打Dozen Pair	√		100	34	32	38.5x25x15
021541	1.5"(38x30x1.0mm)抽芯带螺丝Loose pin with screw	对打Dozen Pair	√		100	40	38	38.5x25x21
021551	1.5"(38x30x1.2mm)抽芯Loose pin	对打Dozen Pair		√	80	30	29	35x20x15
021561	1.5"(38x30x1.0mm)抽芯带螺丝Loose pin with screw	对打Dozen Pair		√	50	22	21	32x18x15.5
021571	1.5"(38x28x1.0mm)抽芯Loose pin	对打Dozen Pair		√	80	27	25.5	35x20x15
021581	1.5"(38x30x1.2mm)抽芯带螺丝Loose pin with screw	对打Dozen Pair		√	50	20	19	32x18x15.5
02201	2"(50x37x1.2mm)	对打Dozen Pair	√		50	31	29	34x24x14
02202	2"(50x37x1.2mm)带螺丝With Screw	对打Dozen Pair	√		50	34	32	34x24x16
02203	2"(50x35x1.05mm)	对打Dozen Pair	√		50	27	25	34x24x14
02204	2"(50x35x1.05mm)带螺丝With Screw	对打Dozen Pair	√		50	30	28	34x24x16
02205	2"(50x37x1.2mm)	对打Dozen Pair		√	50	30	29	31x25x13.5
02205A	2"(50x37x1.2mm)	对打Dozen Pair		√	50	30	29	31x25x13.5
02205B	2"(50x37x1.2mm)带螺丝With Screw	对打Dozen Pair		√	50	33	32	33x25x14
02206	2"(50x37x1.2mm)带螺丝With Screw	对打Dozen Pair		√	25	17	16	25x19x14
02207	2"(50x35x1.05mm)带螺丝With Screw	对打Dozen Pair		√	50	26	25	31x25x13.5
02207A	2"(50x35x1.0mm)带螺丝With Screw	对打Dozen Pair		√	50	27.5	26.5	31.5x25x12.5
02208	2"(50x35x1.05mm)带螺丝With Screw	十付10 Pair		√	25	15	14	31x19x14
02209	2"(50x37x1.2mm)	十付10 Pair		√	50	25	23.5	31.5x22.5x12.5
02210	2"(50x35x1.0mm)	十付10 Pair		√	50	23.5	22	31.5x22.5x12.5
02210A	2"(50x35x0.9mm)	十付10 Pair		√	50	17.5	16.5	31.5x24x13
02211	2"(50x35x1.05mm)带螺丝With Screw	对打Dozen Pair		√	40	24	23	31x25x13.5
02212	2"(50x37x1.2mm)带螺丝With Screw	十付10 Pair		√	50	22	21	24x23.5x13.5
02213	2"(50x35x1.05mm)	对打Dozen Pair		√	30	18	17	30x22x10
02214	2"(50x37x1.2mm)	十付10 Pair		√	40	19	18.5	33x20x12
022015	2"(50x35x0.9mm)	十付10 Pair		√	40	14	13	30x24x13
022016	2"(50x35x0.9mm)带螺丝With Screw	对打Dozen Pair		√	50	21	19	34x24x12
022017	2"(50x35x0.9mm)带螺丝With Screw	对打Dozen Pair		√	50	24	22	34x24x16
022011	2"(50x37x1.2mm)抽芯Loose pin	对打Dozen Pair		√	50	31	29	34x24x14
022021	2"(50x37x1.2mm)抽芯带螺丝Loose pin with screw	对打Dozen Pair	√		50	34	32	34x24x16
022031	2"(50x35x0.9mm)抽芯Loose pin	对打Dozen Pair	√		50	27	25	34x24x14
022031A	2"(50x35x0.9mm)抽芯Loose pin	对打Dozen Pair	√		50	21	19	34x24x12
022031B	2"(50x35x0.9mm)抽芯带螺丝Loose pin with screw	对打Dozen Pair	√		50	24	22	34x24x16
022041	2"(50x35x1.05mm)抽芯带螺丝Loose pin with screw	对打Dozen Pair	√		50	30	28	34x24x16
022051	2"(50x37x1.2mm)抽芯Loose pin	对打Dozen Pair		√	50	30	29	34x25x13.5
022061	2"(50x37x1.2mm)抽芯带螺丝Loose pin with screw	对打Dozen Pair		√	25	17	16	25x19x14
022071	2"(50x35x1.05mm)抽芯Loose pin	对打Dozen Pair		√	50	26	25	31x25x13.5
022081	2"(50x35x1.05mm)抽芯带螺丝Loose pin with screw	对打Dozen Pair		√	25	15	14	25x19x14
02251	2.5"(63.5x40x1.3mm)	对打Dozen Pair	√		50	44	42	40.5x27x15
02252	2.5"(63.5x40x1.3mm)带螺丝With Screw	对打Dozen Pair	√		50	48.5	46	40.5x27x17
02253	2.5"(63.5x40x1.05mm)	对打Dozen Pair	√		50	38	35.5	40.0x24x13.5
02254	2.5"(63.5x40x1.05mm)带螺丝With Screw	对打Dozen Pair	√		50	42.5	39.5	40.0x24x16
02255	2.5"(63.5x38x1.3mm)	对打Dozen Pair		√	40	30	29	31x26x16
02255A	2.5"(63.5x38x1.3mm)	对打Dozen Pair		√	50	30	29	31x26x16

普通厚铰 Bright heavy Iron hinge

编号 Item	产品规格及名称 Product Name and Specification	单位 Unit	包装分析 Packing analysis					
			木箱 Wood box	纸箱 Cardboard box	数量 Quantity	毛重 Gross weight (kg)	净重 Net weight (kg)	包装尺寸 Packing size(cm)
02406A	4"(100x69x1.25mm)带螺丝With Screw	对打Dozen Pair	√		15	36	34	38x21.5x16.7
02407	4"(100x70x1.8mm)	对打Dozen Pair		√	10	33	32	38x22x13
02408	4"(100x70x1.8mm)带螺丝With Screw	对打Dozen Pair		√	7.5	28	26.5	30x25x15
02408A	4"(100x70x1.9mm)带螺丝With Screw	对打Dozen Pair		√	10	34	33	38x22x14
02409	4"(100x69x1.6mm)	对打Dozen Pair		√	10	30	28.5	38x22x13
02410	4"(100x69x1.6mm)带螺丝With Screw	对打Dozen Pair		√	7.5	24.5	23.5	30x25x15
024011	4"(100x69x1.4mm)	对打Dozen Pair		√	10	24	23	34x21x13
024012	4"(100x69x1.4mm)带螺丝With Screw	对打Dozen Pair		√	10	27.5	26	34x25x14
024012A	4"(100x69x1.25mm)带螺丝With Screw	对打Dozen Pair		√	10	23.5	22.5	33.5x24.5x14
024013	4"(100x69x1.6mm)	十付10Pair		√	12	30	28.5	34.5x24.2x13.7
024014	4"(100x67x1.4mm)	十付10Pair		√	12	24	22.5	34.5x22x12.5
024015	4"(100x61x1.25mm)	十付10Pair		√	12	21	20	39x19x12.5
024016	4"(100x70x1.8mm)	十付10Pair		√	10	26	25	26x21x14
024017	4"(100x61x1.1mm)	对打Dozen Pair	√		15	28	26	38x21.5x16.7
024017A	4"(100x61x1.1mm)	对打Dozen Pair	√		15	28	26	38x21.5x16.7
024017B	4"(100x61x1.1mm)抽芯带螺丝Loose pin with screw	对打Dozen Pair	√		15	32	30	38x25.5x16.7
024018	4"(100x61x1.1mm)带螺丝With Screw	对打Dozen Pair	√		15	32	30	38x21.5x17
024018B	4"(100x61x1.26mm)带螺丝With Screw	对打Dozen Pair	√		15	32	30	38x21.5x16.7
024019	4"(100x70x1.8mm)带螺丝With Screw	对打Dozen Pair		√	8	29	28	38x22x12.5
024020	4"(100x70x1.8mm)	十付10Pair		√	12	33	32	42x22x14
024028	4"(100x70x1.1mm)	十付10Pair		√	12	19.5	18.5	29x19x12.5
024022	4"(100x70x1.8mm)抽芯Loose pin	对打Dozen Pair	√		15	51	49	39x24x19
024021	4"(100x70x1.8mm)抽芯带螺丝Loose pin with screw	对打Dozen Pair	√		15	55	53	39x24x19
024021A	4"(100x70x1.25mm)抽芯带螺丝Loose pin with screw	对打Dozen Pair	√		15	36	34	38x25.5x16.7
024021B	4"(100x70x1.2mm)抽芯带螺丝Loose pin with screw	十付10Pair			12	21	20	29x19x12.5
024031	4"(100x69x1.6mm)抽芯Loose pin	对打Dozen Pair	√		15	46	43	39x24x19
024041	4"(100x69x1.6mm)抽芯带螺丝Loose pin with screw	对打Dozen Pair	√		15	49	47	39x29x19
024051	4"(100x69x1.4mm)抽芯Loose pin	对打Dozen Pair	√		15	37	35	38x21.5x17
024061	4"(100x69x1.4mm)抽芯带螺丝Loose pin with screw	对打Dozen Pair	√		15	41	39	38x26x17
024071	4"(100x70x1.8mm)抽芯Loose pin	对打Dozen Pair		√	10	33	32	38x22x13
024081	4"(100x70x1.8mm)抽芯带螺丝Loose pin with screw	对打Dozen Pair		√	7.5	27	25	30x25x14.5
024091	4"(100x69x1.6mm)抽芯Loose pin	对打Dozen Pair		√	10	30	28.5	38x22x13
0240101	4"(100x69x1.6mm)抽芯带螺丝Loose pin with screw	对打Dozen Pair		√	7.5	24	23	30x25x14.5
0240111	4"(100x69x1.4mm)抽芯Loose pin	对打Dozen Pair		√	10	24	23	34x21x13
0240121	4"(100x69x1.4mm)抽芯带螺丝Loose pin with screw	对打Dozen Pair		√	10	27.5	26	34x25x14
02501	5"(125x80x2.0mm)	对打Dozen Pair	√		10	51.5	49	45x28x15
02502	5"(125x80x2.0mm)带螺丝With Screw	对打Dozen Pair	√		10	54	51.5	45x28x16.5
02503	5"(125x80x1.6mm)	对打Dozen Pair	√		10	46.5	44	43x27x15
02504	5"(125x80x1.6mm)带螺丝With Screw	对打Dozen Pair	√		10	49	46.5	43x27x16.5
02505	5"(125x80x2.0mm)	对打Dozen Pair		√	5	26	25	28x22x16
02506	5"(125x80x2.0mm)带螺丝With Screw	对打Dozen Pair		√	5	27	25.5	28x22x17
02507	5"(125x80x1.6mm)	对打Dozen Pair		√	5	23.5	22	28x22x17
02508	5"(125x80x1.6mm)带螺丝With Screw	对打Dozen Pair		√	5	25	24	28x20x18
02509	5"(125x80x1.6mm)	十付10Pair		√	6	26	24.5	29x22x15.5
025010	5"(125x80x1.7mm)	十付10Pair		√	6	26	24.5	29x22x15.5
02601	6"(150x100x2.0mm)	十付10Pair		√	4.5	27	24.5	27x18x18
02602	6"(150x100x2.0mm)	对打Dozen Pair	√		6	43	41	47x17.5x17

普通薄铰 Bright light Iron hinge

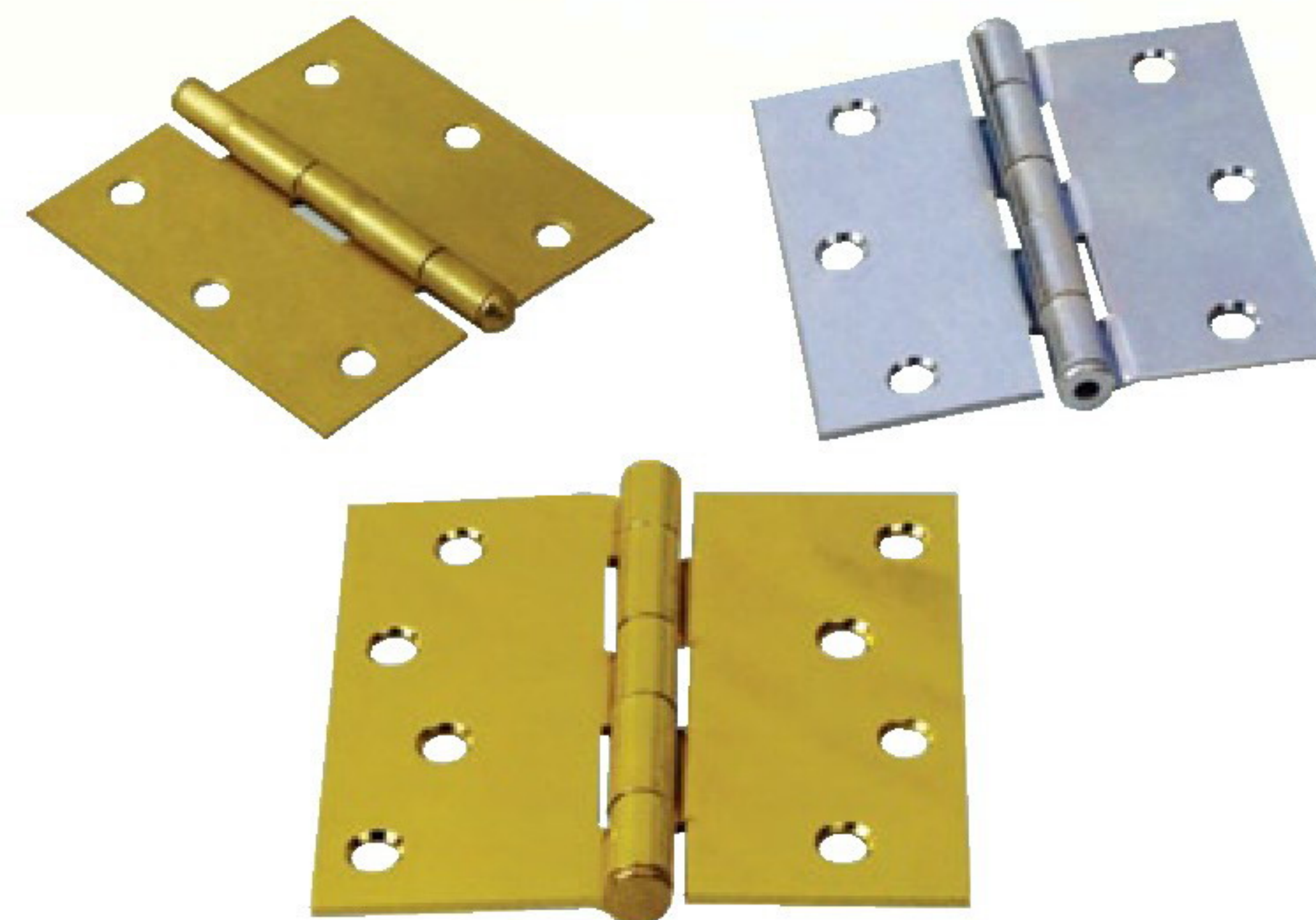


编号 Item	产品规格及名称 Product Name and Specification	单位 Unit	包装分析 Packing analysis					
			木箱 Wood box	纸箱 Cardboard box	数量 Quantity	毛重 Gross weight (kg)	净重 Net weight (kg)	包装尺寸 Packing size(cm)
03061	3/4"(19x17x0.6mm)	对打Dozen Pair	√		500	25	23	38.5x21x14
03062	3/4"(19x17x0.6mm)带螺丝With Screw	对打Dozen Pair	√		500	34	32	38.5x28x14
03063	3/4"(19x17x0.6mm)	对打Dozen Pair		√	500	25	23	35x21x14
03064	3/4"(19x17x0.6mm)	十付10 Pair		√	600	25	23	35x21x14
03101	1"(25x17x0.7mm)	对打Dozen Pair	√		400	40	37.5	42x17x21
03102	1"(25x17x0.7mm)	对打Dozen Pair	√		500	50	47	42x17x26
03103	1"(25x17x0.7mm)带螺丝With Screw	对打Dozen Pair	√		400	48	45	42x21x23
03104	1"(25x17x0.7mm)带螺丝With Screw	对打Dozen Pair	√		500	60	57	42x24x26
03105	1"(25x17x0.7mm)	对打Dozen Pair		√	200	20	19	32x18x13.5
03106	1"(25x17x0.7mm)带螺丝With Screw	对打Dozen Pair		√	200	23	22	32x28x15
03107	1"(25x17x0.7mm)	十付10 Pair		√	360	27.5	26	34x18x25
03151	1.5"(38x25x0.8mm)	对打Dozen Pair	√		200	42	40	37x24x19
03152	1.5"(38x25x0.8mm)带螺丝With Screw	对打Dozen Pair	√		200	48	45.5	37x24x23
03153	1.5"(38x25x0.8mm)	对打Dozen Pair		√	100	21	20	22x18x18.5
03154	1.5"(38x25x0.8mm)带螺丝With Screw	对打Dozen Pair		√	100	24	23	28x18x18.5
03155	1.5"(38x25x0.7mm)	十付10 Pair		√	160	28	26.5	35x23x13
03157	1.5"(38x23x0.7mm)	对打Dozen Pair	√		200	36	34	36x22.5x17
03158	1.5"(38x23x0.7mm)带螺丝With Screw	对打Dozen Pair	√		200	42.5	40.5	36x22.5x21

普通薄铰 Bright light Iron hinge

编号 Item	产品规格及名称 Product Name and Specification	单位 Unit	包装分析 Packing analysis					包装尺寸 Packing size(cm)
			木箱 Wood box	纸箱 Cardboard box	数量 Quantity	毛重 Gross weight (kg)	净重 Net weight (kg)	
03201	2"(50x32x0.9mm)	对打Dozen Pair	√		100	40	38	33.5x20x23
03202	2"(50x32x0.9mm)带螺丝With Screw	对打Dozen Pair	√		100	46	43.5	33.5x20x27
03203	2"(50x32x0.9mm)	对打Dozen Pair		√	50	20	19	29x20x12
03204	2"(50x32x0.9mm)带螺丝With Screw	对打Dozen Pair		√	50	23	22	31x20x15.5
03205	2"(50x32x0.7mm)钉孔Screw hole	对打Dozen Pair	√		100	40	38	33.5x20x23.5
03206	2"(50x32x0.7mm)	十付10 Pair		√	80	26	24.5	31x22x13.5
03207	2"(48.5x28x0.7mm)	对打Dozen Pair	√		100	28	26	32x19x19
03208	2"(50x32x0.7mm)带螺丝With Screw	对打Dozen Pair	√		100	34	32	32x19x21
03251	2.5"(63.5x32x0.9mm)	对打Dozen Pair	√		100	51	48	40.5x21x23
03252	2.5"(63.5x32x0.9mm)带螺丝With Screw	对打Dozen Pair	√		100	60	57	40.5x21x30
03253	2.5"(63.5x32x0.9mm)	对打Dozen Pair		√	50	25	24	24x23x20
03254	2.5"(63.5x32x0.9mm)带螺丝With Screw	对打Dozen Pair		√	50	30	29	31x21x20.5
03255	2.5"(63.5x32x0.9mm)	对打Dozen Pair		√	60	25	24	37.5x23x14.5
03256	2.5"(63.5x32x1mm)	对打Dozen Pair		√	20	12	11	30x16x14
03257	2.5"(61x30x0.7mm)	对打Dozen Pair	√		100	37	35	39x18.8x19.5
03258	2.5"(61x30x0.7mm)带螺丝With Screw	对打Dozen Pair	√		100	42.5	40.5	29x18.8x25.5
03301	3"(75x39x0.9mm)	对打Dozen Pair	√		50	38	35.5	45.5x23x14
03302	3"(75x39x0.9mm)带螺丝With Screw	对打Dozen Pair	√		50	42.5	40	45.5x22x16
03303	3"(75x39x0.9mm)	对打Dozen Pair		√	25	18.5	17.5	26.5x20x14
03304	3"(75x39x0.9mm)带螺丝With Screw	对打Dozen Pair		√	25	21	20	27x23x14.5
03305	3"(75x39x0.9mm)	十付10 Pair		√	48	32	30.5	33.5x18.5x17
03307	3"(73x36x0.8mm)	对打Dozen Pair	√		50	30	28.5	44x22x12
03308	3"(73x36x0.8mm)	对打Dozen Pair	√		50	35	33	44x22x14
03351	3.5"(89x47x1.1mm)	对打Dozen Pair	√		40	48	45	42.5x26x16
03352	3.5"(89x47x1.1mm)	对打Dozen Pair	√		40	51	48	42.5x26x19
03353	3.5"(89x47x1.1mm)	对打Dozen Pair		√	20	24	23	25x21x15
03354	3.5"(89x47x1.1mm)带螺丝With Screw	对打Dozen Pair		√	20	25	24	31x25x13.5
03356	3.5"(89x47x0.9mm)带螺丝With Screw	对打Dozen Pair	√		40	43	41	41x22x17
03357	3.5"(86x45x0.9mm)	对打Dozen Pair	√		40	38	35.5	41x22x14
03401	4"(100x51x1.15mm)	对打Dozen Pair	√		30	46	44	38x27x18
03402	4"(100x51x1.15mm)带螺丝With Screw	对打Dozen Pair	√		30	57	54	38x27x21
03403	4"(100x51x1.15mm)	对打Dozen Pair		√	15	25	24	34x17.5x14
03404	4"(100x51x1.15mm)带螺丝With Screw	对打Dozen Pair		√	15	28	27	31x25x15
03407	4"(97x48x1mm)带螺丝With Screw	对打Dozen Pair	√		30	37	34.5	40x22x15
03408	4"(97x48x1mm)带螺丝With Screw	对打Dozen Pair		√	30	43	41	40x22x18.5

普通方铰 Square hinge



编号 Item	产品规格及名称 Product Name and Specification	单位 Unit	包装分析 Packing analysis					包装尺寸 Packing size(cm)
			木箱 Wood box	纸箱 Cardboard box	数量 Quantity	毛重 Gross weight (kg)	净重 Net weight (kg)	
04201	2"x2"x1.2mm 带螺丝With Screw	付 Pair	√		400	33	30	39x36x18
04202	2"x2"x1.4mm 带螺丝With Screw	付 Pair	√		400	36	33	39x36x18
04202A	2"x2"x1.5mm 带螺丝With Screw	付 Pair		√	50	5.5	4.5	22x12x10
04203	2"x2"x1.6mm 带螺丝With Screw	付 Pair	√		400	38	35	39x36x18
04204	2"x2"x2mm 带螺丝With Screw	付 Pair	√		400	47	44	39x36x18
04205	2"x2"x1.2mm 带螺丝With Screw	付 Pair		√	200	16	15	37x18x18.5
04206	2"x2"x1.4mm 带螺丝With Screw	付 Pair		√	200	17.5	16	37x18x18.5
04207	2"x2"x1.6mm 带螺丝With Screw	付 Pair		√	200	19	17.5	37x18x18.5
04208	2"x2"x2mm 带螺丝With Screw	付 Pair		√	200	23	22	37x18x18.5
04209	2"x2"x1.4mm 带螺丝With Screw	付 Pair		√	300	26	24.5	36x27x17
042010	2"x2"x1.2mm 带螺丝With Screw	付 Pair	√		600	49	46	46x36x20
042011	2"x2"x1.2mm 带螺丝With Screw	付 Pair		√	300	25	24	35x25x19
042012	2"x2"x1.4mm 带螺丝With Screw	付 Pair		√	60	6	5	20x15x9
042013	2"x2"x1.6mm 带螺丝With Screw	付 Pair		√	60	5.5	4.8	22x12x10
04251	2.5"x2.5"x1.4mm 带螺丝With Screw	付 Pair	√		240	33	30	41x25x17
04252	2.5"x2.5"x1.6mm 带螺丝With Screw	付 Pair	√		240	38	35	41x25x17
04252A	2.5"x2.5"x1.8mm 带螺丝With Screw	付 Pair		√	50			
04252B	2.5"x2.5"x1.8mm 带螺丝With Screw	付 Pair		√	200	33	32	36x20x18
04253	2.5"x2.5"x2mm 带螺丝With Screw	付 Pair	√		200	36	33	33x20x23
04254	2.5"x2.5"x1.4mm 带螺丝With Screw	付 Pair	√		200	28	25	33x20x23
04255	2.5"x2.5"x1.6mm 带螺丝With Screw	付 Pair	√		200	32	29	33x20x23

编号 Item	产品规格及名称 Product Name and Specification	单位 Unit	包装分析 Packing analysis					包装尺寸 Packing size(cm)
			木箱 Wood box	纸箱 Cardboard box	数量 Quantity	毛重 Gross weight (kg)	净重 Net weight (kg)	
04256	2.5"x2.5"x2mm 带螺丝With Screw	付 Pair		√	150	26	25	29x22x16
04257	2.5"x2.5"x1.6mm 带螺丝With Screw	付 Pair		√	150	23	22	29x22x16
04258	2.5"x2.5"x1.8mm 带螺丝With Screw	付 Pair		√	150	25	24	29x22x16
04258A	2.5"x2.5"x1.4mm 带螺丝With Screw	付 Pair		√	150	20	19	29x22x16
04259	2.5"x2.5"x1.4mm	付 Pair	√		300	38	35	38x20x15.5
042510	2.5"x2.5"x1.4mm 带螺丝With Screw	付 Pair		√	200	27	25	36x20x18
042511	2.5"x2.5"x1.6mm 带螺丝With Screw	付 Pair		√	60	9.5	9	20x17x11
042512	2.5"x2.5"x1.2mm 带螺丝With Screw	付 Pair	√		200	25	23	33x20x23
042512A	2.5"x2.5"x1.2mm 带螺丝With Screw	付 Pair	√		240	29	27	41x25x17
042513	2.5"x2.5"x1.4mm 带螺丝With Screw	付 Pair		√	180	24	23	33x20x23
04301	3"x3"x2mm 带螺丝With Screw	付 Pair	√		150	41	38	39x24x19
04302	3"x3"x1.8mm 带螺丝With Screw	付 Pair	√		150	37	34.5	39x24x19
04303	3"x3"x1.6mm 带螺丝With Screw	付 Pair	√		150	34.5	32	39x24x19
04304	3"x72x1.5mm 带螺丝With Screw	付 Pair	√		150	32.5	30	39x24x19
04305	3"x3"x1.4mm 带螺丝With Screw	付 Pair	√		150	30	28	39x24x19
04306	3"x72x1.2mm 带螺丝With Screw	付 Pair	√		150	28	25	39x24x19
04306A	3"x72x1.2mm 带螺丝With Screw	付 Pair	√		150	28	25	33x23.5x18
04307	3"x3"x1.8mm 带螺丝With Screw	付 Pair	√		144	35.5	33	42x24x17
04308	3"x3"x1.6mm 带螺丝With Screw	付 Pair	√		144	33	30.5	42x24x17
04309	3"x3"x2mm 带螺丝With Screw	付 Pair	√		144	39.5	37	42x24x17
043010	3"x3"x1.8mm	付 Pair	√		180	41	39	31x26x20
043011	3"x3"x1.6mm	付 Pair	√		180	38	36	31x26x20
043011A	3"x3"x1.5mm	付 Pair	√		180	37	35	31x26x20
043012	3"x3"x2mm	付 Pair	√		180	45	43	31x26x20
043013	3"x3"x2mm 中包装螺丝Inside Packing Screw	付 Pair	√		180	42	39	47x29x23
043014	3"x3"x2mm 中包装螺丝Inside Packing Screw	付 Pair		√	100	26.5	25	25x24x19
043015	3"x3"x1.8mm 中包装螺丝Inside Packing Screw	付 Pair		√	100	25	23.5	25x24x19
043016	3"x3"x1.6mm 中包装螺丝Inside Packing Screw	付 Pair		√	100	23	21.5	25x24x19
043016A	3"x3"x1.5mm 中包装螺丝Inside Packing Screw	付 Pair		√	100	21.5	20.5	30x23x15
043017	3"x3"x1.6mm 中包装螺丝Inside Packing Screw	付 Pair		√	96	22	20.5	34x34x15
043018	3"x3"x1.6mm 中包装螺丝Inside Packing Screw	付 Pair	√		100	23	21	38x24x12
043019	3"x3"x2mm 带螺丝With Screw	付 Pair	√		96	25	23.5	35x27x17
043019A	3"x3"x1.8mm 带螺丝With Screw	付 Pair	√		96	23.5	22	35x27x17
043020	3"x3"x1.9mm 带螺丝With Screw	付 Pair		√	80	22	21	24x23x15
043020A	3"x3"x1.6mm 带螺丝With Screw	付 Pair		√	80	20	19	24x23x15
043021	3"x3"x1.8mm 中包装螺丝Inside Packing Screw	付 Pair	√		150	38	35	45x25x22
043022	3"x3"x1.6mm 带螺丝With Screw	付 Pair	√		200	44	42	39x24x19
043023	3"x3"x2mm 带螺丝With Screw	付 Pair		√	50	14	13	25x24x10
043024	3"x3"x1.4mm 带螺丝With Screw	付 Pair		√	120	24	22.5	36x22x15.5
043025	3"x3"x1.2mm 带螺丝With Screw	付 Pair	√		150	25	23	36x20x20
043025A	3"x3"x1.2mm 带螺丝With Screw	付 Pair	√		180	28.5	26.5	31x26x20
043026	3"x3"x1.4mm 带螺丝With Screw	付 Pair	√		144	29	27	42x24x17
043027	3"x3"x2mm 带螺丝With Screw	付 Pair		√	60	17	16	30x21x14
043028	3"x3"x1.6mm 带螺丝With Screw	付 Pair		√	50	12	11	23x23x11
043029	3"x3"x1.5mm 中包装螺丝Inside Packing Screw	付 Pair	√		150	32.5	30	45x25x22
043030	3"x3"x2.1mm 带螺丝With Screw	付 Pair		√	80	24	23	29x23x13
04351	3.5"x3.5"x2.2mm 带螺丝With Screw	付 Pair	√		150	52	50	41x29x20
04352	3.5"x3.5"x2mm 带螺丝With Screw	付 Pair	√		150	49	46	41x29x20
04353	3.5"x3.5"x1.8mm 带螺丝With Screw	付 Pair	√		150	46	43	41x29x20
04353A	3.5"x3.5"x1.7mm 带螺丝With Screw	付 Pair	√		150	45	42	41x29x20

编号 Item	产品规格及名称 Product Name and Specification	单位 Unit	包装分析 Packing analysis					包装尺寸 Packing size(cm)
			木箱 Wood box	纸箱 Cardboard box	数量 Quantity	毛重 Gross weight (kg)	净重 Net weight (kg)	
04354	3.5"x3.5"x1.6mm 带螺丝With Screw	付 Pair	√		150	43	40	41x29x20
04354A	3.5"x3.5"x1.6mm 中包装螺丝Inside Packing Screw	付 Pair	√		150	44	40	41x29x23
04354B	3.5"x3.5"x1.6mm 带螺丝With Screw	付 Pair		√	60	17	16	28x22x14
04355	3.5"x3.5"x2mm 带螺丝With Screw	付 Pair	√		96	32	30	36x24x16
04356	3.5"x3.5"x1.8mm 带螺丝With Screw	付 Pair	√		96	30	28	36x24x16
04357	3.5"x3.5"x2.2mm 中包装螺丝Inside Packing Screw	付 Pair	√		150	54	51	47x29x23
04358	3.5"x3.5"x2.0mm	付 Pair	√		120	36	34	31x21x22
04359	3.5"x3.5"x1.8mm	付 Pair	√		120	33	31	31x21x22
043510	3.5"x3.5"x2.2mm 带螺丝With Screw	付 Pair		√	50	18	16.5	28x18x14
043510A	3.5"x3.5"x2.5mm 带螺丝With Screw	付 Pair		√	50	21.5	20.5	29x20x14
043511	3.5"x3.5"x2.0mm 带螺丝With Screw	付 Pair		√	50	17	16.5	28x18x14
043511A	3.5"x3.5"x1.9mm 带螺丝With Screw	付 Pair		√	50	16.5	15.5	28x18x14
043512	3.5"x3.5"x2mm 带螺丝With Screw	付 Pair		√	50	16	15	28x18x14
043513	3.5"x3.5"x1.8mm 带螺丝With Screw	付 Pair		√	60	20	18.5	34x21x15
043514	3.5"x3.5"x1.8mm 带螺丝With Screw	付 Pair		√	72	24	22.5	33x23x13
043514A	3.5"x3.5"x2.0mm 带螺丝With Screw	付 Pair		√	72	25	24	33x23x13
043515	3.5"x3.5"x1.8mm 带螺丝With Screw	付 Pair	√		100	31	29	38x28x13
043516	3.5"x3.5"x2.0mm 带螺丝With Screw	付 Pair		√	60	22	21	28x22x14
043517	3.5"x3.5"x2.0mm 中包装螺丝Inside Packing Screw	付 Pair	√		150	49	46	48x29x23
043518	3.5"x3.5"x2.2mm 带螺丝With Screw	付 Pair		√	50	18	17.5	31x19x11
043518A	3.5"x3.5"x1.6mm 带螺丝With Screw	付 Pair		√	50	16	15	28x18x14
043519	3.5"x3.5"x2.2mm 带螺丝With Screw	付 Pair		√	60	23	22	28x22x14
043520	3.5"x3.5"x1.6mm 带螺丝With Screw	付 Pair		√	80	23	21.5	32x28x13
043521	3.5"x3.5"x1.6mm 带螺丝With Screw	付 Pair	√		96	27	25	36x24x16
043521A	3.5"x3.5"x1.25mm 带螺丝With Screw	付 Pair	√		96	22	20	36x24x16
043522	3.5"x3.5"x2.2mm 带螺丝With Screw	付 Pair		√	60	22	21	33x22x15
043523	3.5"x3.5"x2.5mm 带螺丝With Screw	付 Pair		√	50	20	19	28x18x14
043524	3.5"x3.5"x2.5mm 带螺丝With Screw	付 Pair	√		150	60	57	41x29x20
043526	3.5"x3.5"x2.5mm 带螺丝With Screw	付 Pair		√	60	23	22	30x23x11
043527	3.5"x3.5"x1.4mm 带螺丝With Screw	付 Pair	√		150	40	37	41x29x20
043527A	3.5"x3.5"x1.2mm 带螺丝With Screw	付 Pair	√		150	32	30	41x26x17
04401	4"x4"x2.4mm 带螺丝With Screw	付 Pair	√		100	51	48	36x29x20
04402	4"x4"x2.2mm 带螺丝With Screw	付 Pair	√		100	47	44.5	36x29x20
04403	4"x4"x2.0mm 带螺丝With Screw	付 Pair	√		100	43.5	41	36x29x20
04404	4"x4"x1.8mm 带螺丝With Screw	付 Pair	√		100	40	37.5	36x29x20
04404A	4"x4"x1.8mm 中包装螺丝Inside Packing Screw	付 Pair	√		100	40	37.5	36x29x33
04405	4"x4"x2.4mm 中包装螺丝Inside Packing Screw	付 Pair	√		100	51	48	36x29x33
04406	4"x4"x2.2mm 带螺丝With Screw	付 Pair	√		72	34	32	41x29x13
04407	4"x4"x2.0mm 带螺丝With Screw	付 Pair	√		72	32	30	41x29x13
04408	4"x4"x2.2mm	付 Pair	√		60	30	28	36x24x13
04409	4"x4"x2.4mm	付 Pair	√		60	32	30	36x24x16
044010	4"x4"x2.4mm 带螺丝With Screw	付 Pair		√	50	25	24	32x22x15
044011	4"x4"x2.2mm 带螺丝With Screw	付 Pair		√	50	23	22	32x22x15
044012	4"x4"x2.0mm 带螺丝With Screw	付 Pair		√	50	22	21	32x22x15
044012A	4"x4"x2.0mm 带螺丝With Screw	付 Pair		√	50	22	21	32x22x15
044013	4"x4"x2.0mm 带螺丝With Screw	付 Pair		√	48	21	20	31x25x16
044014	4"x4"x2.0mm	付 Pair	√		60	28	26	36x24x13
044015	4"x4"x1.6mm 带螺丝With Screw	付 Pair	√		100	37.5	35	36x29x20
044016	4"x4"x2.2mm 中包装Inside Packing	付 Pair	√		100	48	45	36x29x20
044017	4"x4"x2.5mm 带螺丝With Screw	付 Pair	√		72	40	38	41x29x13
044018	4"x4"x1.8mm 带螺丝With Screw	付 Pair		√	60	24.5	22	32x27x15
044019	4"x4"x1.8mm 带螺丝With Screw	付 Pair		√	50	20	19	32x21x19
044020	4"x4"x1.8mm	付 Pair	√		60	23	21	36x24x16
044021	4"x4"x2.4mm 带螺丝With Screw	付 Pair		√	48	23	22	30x28x14
044022	4"x4"x2.5mm 带螺丝With Screw	付 Pair		√	25	13.5	13	32x12x12

圆角方铰 Round corner square hinge

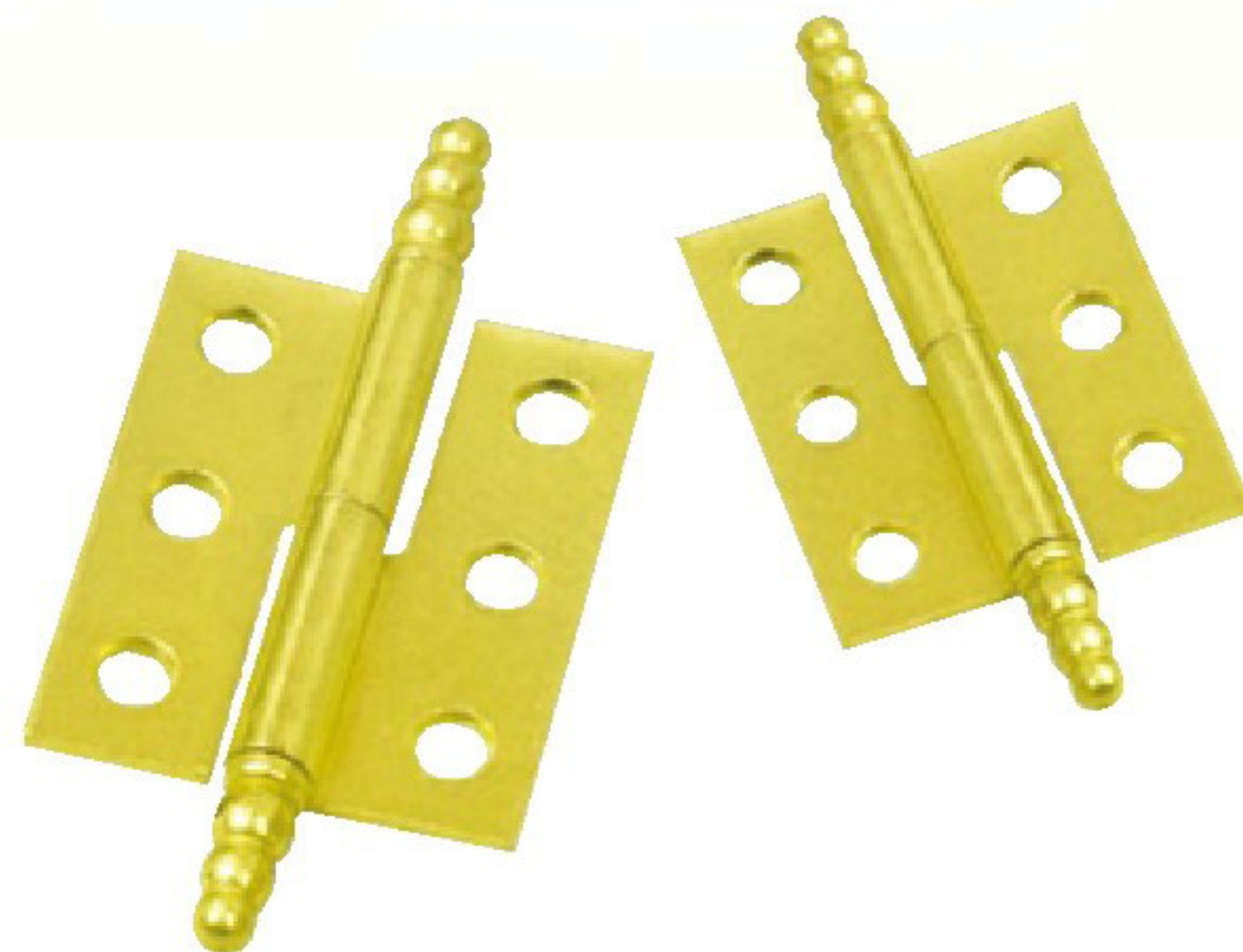


编号 Item	产品规格及名称 Product Name and Specification	单位 Unit	包装分析 Packing analysis					包装尺寸 Packing size(cm)
			木箱 Wood box	纸箱 Cardboard box	数量 Quantity	毛重 Gross weight (kg)	净重 Net weight (kg)	
06251	2.5"x2.5"x5/8"Rx1.6mm	付 Pair		√	150	23	22	29x22x16
06251A	2.5"x2.5"x2mm	付 Pair	√		160	29	27	30x24x16
06252	2.5"x2.5"x1/4"Rx1.8mm	付 Pair		√	120	23	22	30x26x12
06301	3"x3"x5/8"Rx2mm	付 Pair		√	100	24	23	27x25x10
06301A	3"x3"x2mm 带皇冠头With crown tip	付 Pair		√	50	15	14	24x23x10
06301B	3"x3"x2mm 盒装带螺丝Box with screw	付 Pair		√	50	14	13	24x23x10
06301C	3"x3"x2mm 平头Level tip	付 Pair		√	50	13.5	13	31x17.5x9
06302	3"x3"x1/4"Rx2mm	付 Pair		√	100	24	23	27x25x10
06303	3"x3"x5/8"Rx2mm	付 Pair		√	50	13	12.5	24x23x10
06303A	3"x3"x5/8"Rx2mm 盒装带螺丝Box with screw	付 Pair		√	50	14	13	24x23x10
06304	3"x3"x1/4"Rx2mm	付 Pair		√	50	13	12.5	24x23x10
06305	3"x3"x1/4"Rx2mm	付 Pair		√	96	25	24	29.5x22.5x18.5
06306	3"x3"xSQx5/8"Rx2mm	付 Pair		√	50	13	12.5	23x18x13
06306A	3"x3"xSQx5/8"Rx2mm 盒装带螺丝Box with screw	付 Pair		√	50	14	13	24x23x10
06306B	3"x3"x ³ / ₁₆ "xSQx5/8"Rx2mm	付 Pair		√	51	13.5	13	31x17.5x9
06307	3"x3"x5/8"Rx1.8mm	付 Pair		√	100	24	23	30x23x15
06351	3.5"x3.5"x1/4"Rx2.2mm	付 Pair		√	50	17.5	17	31x19x11
06352	3.5"x3.5"x5/8"Rx2mm	付 Pair		√	50	17.5	17	31x19x11
06352A	3.5"x3.5"x5/8"Rx2.3mm 带闷头With klat head	付 Pair		√	50	17.5	17	31x19x11
06352B	3.5"x3.5"x5/8"Rx2mm 盒装带螺丝Box with screw	付 Pair		√	50	17.5	17	31x19x11
06353	3.5"x3.5"xSQx5/8"Rx2.2mm	付 Pair		√	50	17.5	17	31x19x11

圆角方铰 Round corner square hinge

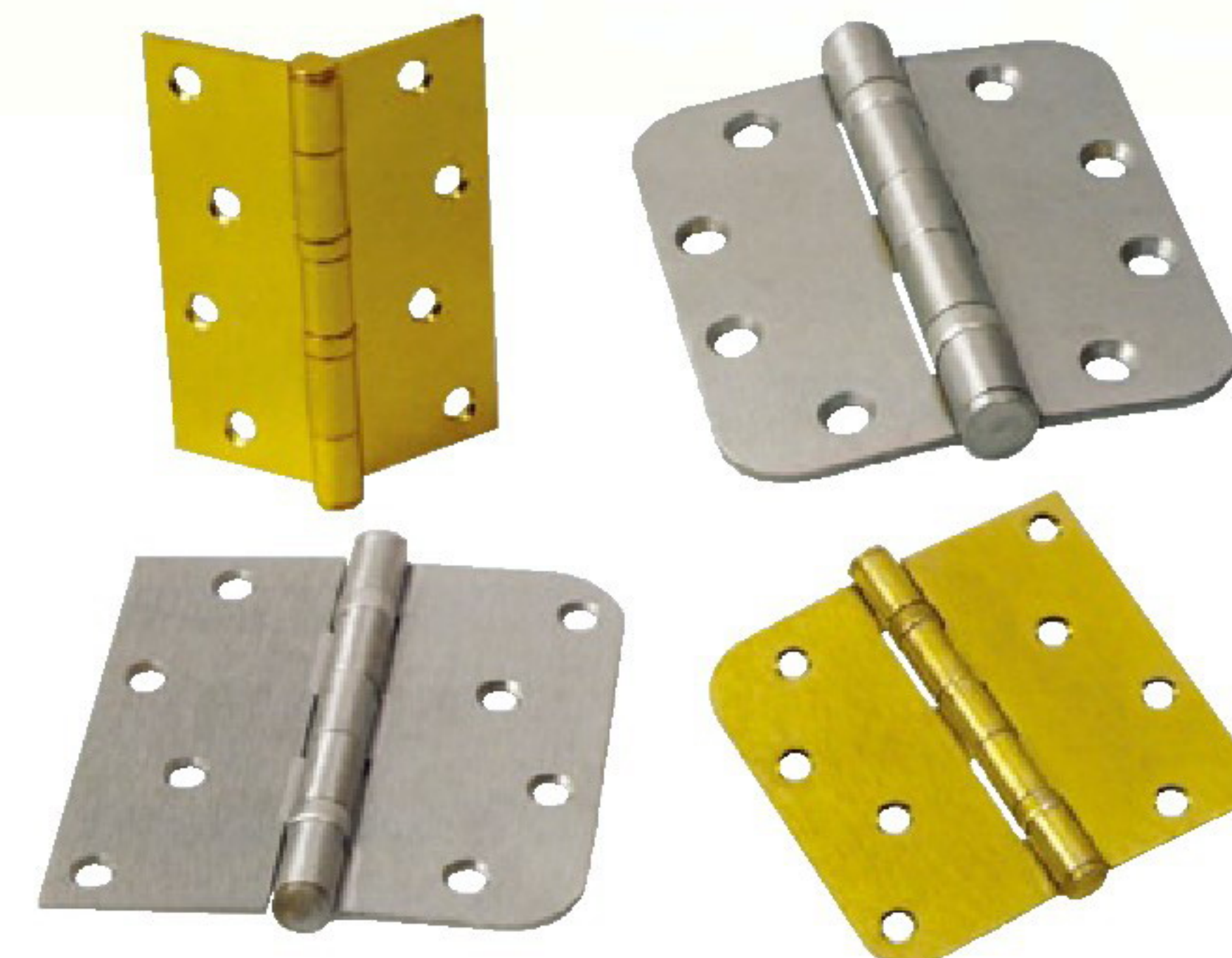
编号 Item	产品规格及名称 Product Name and Specification	单位 Unit	包装分析 Packing analysis					包装尺寸 Packing size(cm)
			木箱 Wood box	纸箱 Cardboard box	数量 Quantity	毛重 Gross weight (kg)	净重 Net weight (kg)	
06354	3.5"x3.5"x5/8"Rx2.2mm	付 Pair		√	50	19	18	34x19x11
06355	3.5"x3.5"x1/4"Rx2.2mm 盒装带螺丝Box with Screw	付 Pair		√	50	19	18	29x20x14
06355A	3.5"x3.5"xSQ"Rx2.2mm 盒装带螺丝Box with Screw	付 Pair		√	50	19	18	29x20x14
06356	3.5"x3.5"xSQ"Rx3.0mm 盒装带螺丝Box with Screw	付 Pair		√	50	26	25	31x30x16
06357	3.5"x3.5"x1/4"Rx3.0mm 盒装带螺丝Box with Screw	付 Pair		√	50	17.5	17	31x30x16
06358	3.5"x3.5"x1/4"Rx2.0mm 盒装带螺丝Box with Screw	付 Pair		√	72	24	23	36x25x15
06359	3.5"x3.5"x2.2mm 分装Unassembled	付 Pair		√	50	18	17.5	41x20x12
063510	3.5"x3.5"x5/8"Rx2.2mm 六脚管Six finger	付 Pair		√	50	17.5	17	31x19x11
063511	3.5"x3.5"x1/4"Rx2.2mm 六脚管Six finger	付 Pair		√	50	17.5	17	31x30x11
063512	3.5"x3.5"x5/8"Rx2.2mm 六脚管分装Six finger unassembled	付 Pair		√	50	17.5	17	41x20x12
063513	3.5"x3.5"x1/4"Rx2.2mm 六脚管分装Six finger unassembled	付 Pair		√	50	17.5	17	41x20x12
06401	4"x4"x5/8"Rx2.2mm	付 Pair		√	50	23	22	34x20x12
06401A	4"x4"xSQx2.2mm 合装带钉 Box with Nail	付 Pair		√	50	24	23	32x20x15
06402	4"x4"x5/8"Rx2.5mm	付 Pair		√	50	25	24	34x20x12
06403	4"x4"x1/4"Rx2.2mm	付 Pair		√	50	23	22	34x20x12
06403A	4"x4"x2.3mm 方铰合装带钉 Square hinge Box with Nail	付 Pair		√	50	24	23	32x20x15
06404	4"x4"x1/4"Rx2.5mm	付 Pair		√	50	25	24	34x20x12
06405	4"x4"x5/8"RxSQx2.2mm	付 Pair		√	50	23	22	34x20x12
06406	4"x4"x1/4"RxSQx2.5mm	付 Pair		√	50	25	24	34x20x12
06406A	4"x4"x5/8"RxSQx2.5mm	付 Pair		√	50	25	24	34x20x12
06407	4"x4"x5/8"RxSQx2.5mm 分装Unassembled	付 Pair		√	50	25	24	43x22x13
06408	4"x4"x5/8"RxSQx2.2mm 分装Unassembled	付 Pair		√	50	23	22	42x22x13
06408A	4"x4"x5/8"RxSQx2.3mm 分装Unassembled	付 Pair		√	51	23	22	42x22x13
06409	4"x4"x5/8"Rx2.5mm 盒装带螺丝Box with Screw	付 Pair		√	25	13	12	32x15x12
06410	4"x4"x5/8"Rx2.5mm 盒装带螺丝Box with Screw	付 Pair		√	25	13	12	32x15x12
06411	4"x4"x1/4"Rx2.5mm 带安全扣 With stud	付 Pair		√	50	25	24	32x22x12
06411A	4"x4"x5/8"Rx2.5mm 带安全扣分装 With stud unassembled	付 Pair		√	50	25	24	42x22x13
06412	4"x4"x5/8"RxSQ φ7	付 Pair		√	50	27	26	37x22x12
06413	4"x4"xSQx3.3mm 盒装带螺丝Box with Screw	付 Pair		√	25	20	19	33x19x16.5
06414	4"x4"x1/4"Rx3.3mm 盒装带螺丝Box with Screw	付 Pair		√	25	20	19	33x19x16.5
06415	4"x4"x1/4"Rx2.2mm 盒装带螺丝Box with Screw	付 Pair		√	50	24	23	29.5x24.5x16
06416	4"x4"x5/8"Rx2.5mm	付 Pair		√	25	13	12	23x12x13
06416A	4"x4"xSQx2.5mm	付 Pair		√	25	13	12	23x12x13
06417	4"x4"x1/4"Rx2.5mm	付 Pair		√	25	13	12	23x12x13
06418	4"x4"x5/8"Rx2.5mm 分装Unassembled	付 Pair		√	25	13	12	26x20x13
06419	4"x4"x1/4"Rx2.5mm 分装Unassembled	付 Pair		√	25	13	12	26x20x13
06420	4"x4"x1/4"Rx2.5mm 盒装带螺丝Box with Screw	付 Pair		√	25	16	15	32x20x15
06420A	4"x4"x1/4"Rx2.5mm 盒装带螺丝Box with Screw	付 Pair		√	50	26	25	32x20x15
06421	4"x4"x5/8"Rx2.5mm 盒装带螺丝Box with Screw	付 Pair		√	50	26	25	32x20x15
06421A	4"x4"xSQx2.5mm 盒装带螺丝Box with Screw	付 Pair		√	50	26	25	32x20x15
06422	4"x4"x5/8"Rx2.3mm 六脚管Six finger	付 Pair		√	50	23	22	34x20x12
06422A	4"x4"x5/8"Rx2.4mm 六脚管带安全Six finger with stud	付 Pair		√	50	25	24	42x22x13
06423	4"x4"x1/4"Rx2.3mm 六脚管Six finger	付 Pair		√	50	23	22	34x20x12
06423A	4"x4"x1/4"Rx2.4mm 六脚管带安全Six finger with stud	付 Pair		√	50	25	24	34x20x12
06424	4"x4"x5/8"Rx2.3mm 六脚管分装Six finger unassembled	付 Pair		√	50	23	22	42x22x13
06425	4"x4"x1/4"Rx2.3mm 六脚管分装Six finger unassembled	付 Pair		√	50	23	22	42x22x13
064050	4"x4"x5/8"Rx2.5mm 曲型铰Six finger unassembled	付 Pair		√	24	21.5	20.5	31x16x16
064051	4"x4"x1/4"Rx2.5mm 曲型铰Six finger unassembled	付 Pair		√	24	21.5	20.5	31x16x16
06428	4"x4"xSQx2.5mm 铆头 φ 5.9 Rivet head	付 Pair		√	50	25	24	34x20x12
06429	4"x4"xSQx2.5mm 铆头 φ 7.0 Rivet head	付 Pair		√	50	26.5	25.5	37x22x12
06430	4"x4"xSQx5/8x2.2mm 铆头 Rivet head	付 Pair		√	50	23	22	34x20x12
06431	4"x4"xSQx5/8x2.2mm 铆头 Rivet head	付 Pair		√	50	23	22	34x20x12
064034	4"x4"x5/8xSQx2.5mm 带螺丝 With Screw	付 Pair		√	50	25	24	34x20x12
064034A	4"x4"x5/8xSQx2.5mm 带螺丝 With Screw	付 Pair		√	50	23	22	34x20x12
06423B	4"x4"x1/4x2.3mm 六指带安全 Six finger with stud	付 Pair		√	50	23	22	34x20x12

脱卸铰 Lift-off hinge



编号 Item	产品规格及名称 Product Name and Specification	单位 Unit	包装分析 Packing analysis					
			木箱 Wood box	纸箱 Cardboard box	数量 Quantity	毛重 Gross weight (kg)	净重 Net weight (kg)	包装尺寸 Packing size(cm)
08251	63.5x42x1.2mm	付 Pair		√	400	28.5	27	37x22.5x12.2
08301	75x50x1.3mm	付 Pair		√	320	33	31.5	34.5x25x13
08302	30x40x1.1mm	付 Pair		√	500	16	15	29x22x18
08303	40x50x1.2mm	付 Pair		√	500	25	24	29x27x18
08801	80x45x1.5mm	付 Pair		√	200	21	20	35x24x18
081201	120x68x1.5mm	付 Pair		√	100	22	21	27x24x18
081202	120x68x2mm	付 Pair		√	80	25	24	29x18x18
081203	120x87x1.5mm	付 Pair		√	100	25	24	27x27x18
081204	120x87x2mm	付 Pair		√	80	27	26	29x22x18
08351	85x85x2.5mm	付 Pair		√	60	22	21	33x21x12
08501	50x30x1.8mm	付 Pair		√	600	26	25	37x24x12
08601	60x40x1.8mm	付 Pair		√	300	18.5	17.5	34x27x8.1
08701	70x50x1.8mm	付 Pair		√	180	22	21	28.5x26x10.2
08401	40x30x1.8mm	只 Piece		√	750	20	18.8	25x21x17.5
08402	40x40x1.8mm	只 Piece		√	600	21.5	20.5	27x24x14
08501	50x30x1.8mm	只 Piece		√	600	21	19.8	27.5x21x14
08502	50x35x1.8mm	只 Piece		√	600	23	22	27.5x22x14
08504	50x40x1.8mm	只 Piece		√	600	25	24	27.5x27x14

轴承铰 Ball Bearing hinge



编号 Item	产品规格及名称 Product Name and Specification	单位 Unit	包装分析 Packing analysis					
			木箱 Wood box	纸箱 Cardboard box	数量 Quantity	毛重 Gross weight (kg)	净重 Net weight (kg)	包装尺寸 Packing size(cm)
09251	2.5"x2.5"x1.6mm 带螺丝 With Screw	付 Pair	√		200	30	28	33x20x22
09301	3"x3"x2mm 带螺丝 With Screw	付 Pair	√		150	41	39	39x24x19
09301A	3"x3"x2.3mm 带螺丝 With Screw	付 Pair		√	100	27	26	34x24x19
09301B	3"x3"x2mm	付 Pair		√	50	14	13	30x24x15
09302	3"x3"x2.3mm 带螺丝 With Screw	付 Pair		√	50	15	14	30x24x15
09302C	3"x3"x2.2mm 带螺丝R10圆角 With Screw R10 Round corner	付 Pair		√	75	21	20	30x24x18
09302C1	3"x2.5"x2mm 球型 Ball-head	付 Pair		√	50	14	13	26x18x14
09302D	3"x3"x2.4mm 带螺丝 With Screw	付 Pair		√	50	15	14	26x18x15
09302A	3"x2.5"x3mm 带皇冠头 With crown tip	付 Pair		√	120	30	29	30x24x15
09302B	3"x2.5"x2.2mm 带螺丝平头 With Screw level tip	付 Pair		√	50	14	13	26x18x14
09302E	3"x3"x2.3mm 带螺丝 With Screw	付 Pair		√	75	20	19	30x24x18
09302F	3"x3"x2.2mm 带螺丝R10圆角 With Screw R10 Round corner	付 Pair		√	75	20	19	30x24x18
09303	3"x2.5"x2.5mm	付 Pair		√	50	15	14	26x18x15
09304	3"x2.5"x2.5mm 带皇冠头 With crown tip	付 Pair		√	50	16	15	26x18x16
09305	3"x2.5"x3mm	付 Pair		√	60	21	20	28x23x16
09351	3.5"x3.5"x2.3mm 带螺丝 With Screw	付 Pair	√		100	40	37	36x25x18
09351C	3.5"x3.5"x2.5mm 带皇冠头 With crown tip	付 Pair		√	75	27	26	33x22.5x14
09351B	3.5"x3.5"x2.5mm 带皇冠头 With crown tip	付 Pair		√	75	27	26	33x22.5x14
09351D	3.5"x3.5"x2.5mm 平头 Level tip	付 Pair		√	50	24	23	30x20x12
09352	3.5"x3"x2.3mm 带螺丝 With Screw	付 Pair	√		100	37	35	36x25x18
09352B	3.5"x3"x2.4mm 不带螺丝 No With Screw	付 Pair	√		75	26	25	33x22.5x14

轴承铰 Ball Bearing hinge

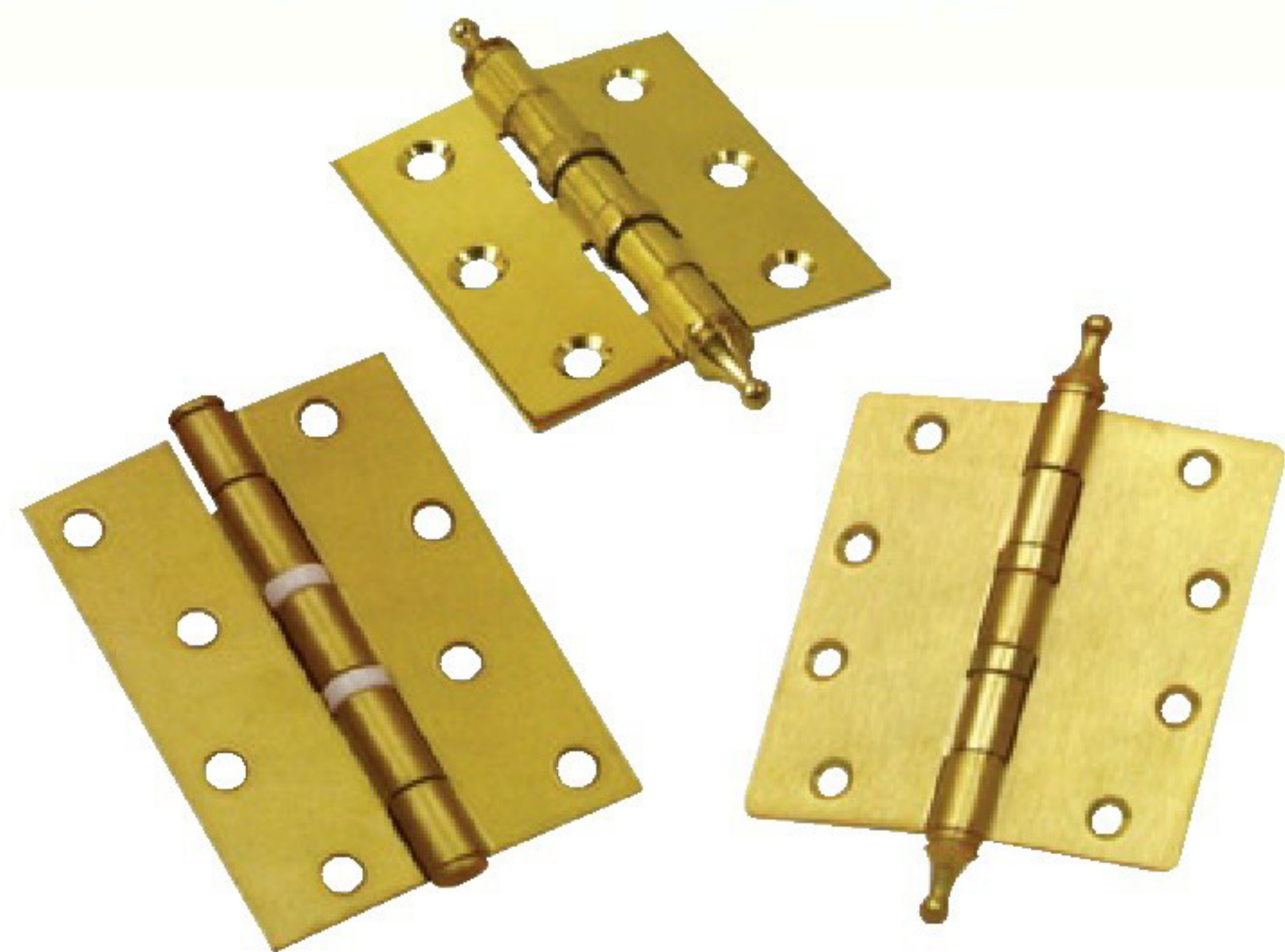
编号 Item	产品规格及名称 Product Name and Specification	单位 Unit	包装分析 Packing analysis					
			木箱 Wood box	纸箱 Cardboard box	数量 Quantity	毛重 Gross weight (kg)	净重 Net weight (kg)	包装尺寸 Packing size(cm)
09353	3.5"x3"x2.5mm 带螺丝 With Screw	付 Pair		√	50	21	20	26x24x14
09353A	3.5"x3"x2.5mm 平头 Level tip	付 Pair		√	50	20	19	26x24x14
09354	3.5"x3"x2.5mm 带螺丝 With Screw	付 Pair	√		100	42	40	38x28x13
093510	3.5"x3.5"x2.2mm 带螺丝 With Screw	付 Pair	√		150	57	55	38x28x17
093511	3.5"x3.5"x1/4"x3"Rmm 带螺丝 With Screw	付 Pair		√	25	15	14	31x16x16
093511A	3.5"x3.5"x1/4"x3"Rmm 带螺丝 With Screw	付 Pair		√	50	30	28	27x24x14
093512	3.5"x3.5"x5/8"x3"Rmm 带螺丝 With Screw	付 Pair		√	25	15	14	31x16x16
093512A	3.5"x3.5"x5/8"x3"Rmm 带螺丝 With Screw	付 Pair		√	50	30	28	27x24x14
093517	3.5"x3"x2.3mm 带螺丝 With Screw	付 Pair		√	50	20	19	25x22x14
093517A	3.5"x3"x3mm 带螺丝 With Screw	付 Pair		√	50	26	25	25x22x14
093518	3.5"x3"x2.0mm 带螺丝 With Screw	付 Pair	√		100	36	34	40x27.5x16
09401	4"x4"x2.5mm 带螺丝 With Screw	付 Pair	√		100	55	52	35x28x21
09401A	4"x4"x2.5mm 带螺丝 With Screw	付 Pair		√	50	25	24	43x22x13
09401B	4"x4"x2.5x5/8xSQmm 球型Ball- Head	付 Pair		√	50	25	24	43x22x13
09402	4"x3.5"x2.5mm 带螺丝 With Screw	付 Pair	√		100	52	48	32x28x21
09402A	4"x3.5"x2.7mm 带螺丝 With Screw	付 Pair	√		100	56	52	32x28x21
09403	4"x3"x2.5mm 带螺丝 With Screw	付 Pair	√		120	45	42	35x31x24
09404	4"x3.5"x2.7mm 带螺丝 With Screw	付 Pair	√		50	28	26.5	29x24x15
09405	4"x3.5"x2.5mm 带螺丝 With Screw	付 Pair		√	50	25	24	29x24x15
09406	4"x3.5"x3.0mm 带螺丝 With Screw	付 Pair		√	50	30	29	30x24x13
09407	4"x3.5"x2.2mm 带螺丝 With Screw	付 Pair		√	50	23	22	29x23x15
09408	4"x4"x2.8mm 带螺丝 With Screw	付 Pair		√	45	28	27	33x24x16
09409	4"x4"x2.7mm	付 Pair		√	50	29	28	33x25x12
094010	4"x3"x3mm	付 Pair		√	50	26	25	33x24x12
094010A	4"x3"x3mm 带皇冠头With crown tip	付 Pair		√	50	27	26	33x24x12
094011	4"x3.5"x2.3mm 带螺丝 With Screw	付 Pair	√		100	48	45.5	40x29x17
094012	4"x3.5"x2.8mm 带螺丝 With Screw	付 Pair	√		100	56	54	40x29x17
094013	4"x4"x3.3"x1/4"Rmm 带螺丝 With Screw	付 Pair		√	24	20	19	35x19x15
094014	4"x4"x3.3"x5/8"Rmm 带螺丝 With Screw	付 Pair		√	24	20	19	35x19x15
094015	4"x3.5"x2.3mm 带螺丝 With Screw	付 Pair		√	50	24	23	29x23x15
094016	4"x4"x2.4mm 带螺丝 With Screw	付 Pair		√	50	25	24	32x31x15
094017	4"x3.5"x2.0mm 带螺丝 With Screw	付 Pair	√		100	44	41	40x29x17.5
09451	4.5"x4"x3.0mm 带螺丝 With Screw	付 Pair	√		60	53	50	40x30x16
09452	4.5"x4"x3.0mm 带螺丝 With Screw	付 Pair		√	36	30	29	32.5x20.5x15.5
09453	4.5"x4"x3.3mm 带螺丝 With Screw	付 Pair	√		50	41	38	36.5x30x17
09454	4.5"x4"x3.4xSQmm 带螺丝 With Screw	付 Pair		√	24	20.5	19.5	35x19x15
09455	4.5"x4"x3.4x1/4"Rmm 带螺丝 With Screw	付 Pair		√	24	20.5	19.5	35x19x15
09456	4.5"x4"x3.4x5/8"Rmm 带螺丝 With Screw	付 Pair		√	24	20.5	19.5	35x19x15
09457	4.5"x4.5"x3.4x5/8"Rmm 带螺丝 With Screw	付 Pair		√	30	22	21	30x19x18
094021	4"x3"x3.0mm	付 Pair		√	40	23.5	23	38x17x17

扇铰 Flush hinge



编号 Item	产品规格及名称 Product Name and Specification	单位 Unit	包装分析 Packing analysis				
			纸箱 Cardboard box	数量 Quantity	毛重 Gross weight (kg)	净重 Net weight (kg)	包装尺寸 Packing size(cm)
10151	38x30x1mm	付 Pair	√	1200	26	25	32x19x19
10201	50x37x1.25mm	付 Pair	√	600	22	21	31x18x18
10251	63.5x36x1.4mm	付 Pair	√	400	21	20	30x20x14.5
10301	75x47.5x1.7mm	付 Pair	√	200	19	18	23x19x18
10302	75x42.5x1.7mm	付 Pair	√	400	27	26	30x20x18
10351	89x53.5x1.8mm	付 Pair	√	150	23	22	30x19.5x14
10352	89x78x1.8mm 35#	付 Pair	√	100	19.3	18.8	28x19.5x11.5
10353	89x77x1.8mm 36#	付 Pair	√	100	19.3	18.8	28x19.5x11.5
10354	89x77x1.8mm	付 Pair	√	125	25	23.5	27x22x17
10355	89x74x1.8mm 37#	付 Pair	√	125	23	22	32x24x11
10355A	89x74x1.8mm 37#	付 Pair	√	100	18	17.5	28x19.5x10.5
10356	89x74x1.8mm 36#	付 Pair	√	125	24	23	27x22x17
10401	100x69x1.8mm	付 Pair	√	100	23	22	25x24x16
10402	102x89x2.5mm	付 Pair	√	45	18	17	30x20x17
10402A	102x89x2.5mm	付 Pair	√	50	18	17	30x20x18
10403	102x93x2.7mm	付 Pair	√	50	24	23	35x21x13

尼龙、铁垫圈铰 Nylon steel ring hinge



编号 Item	产品规格及名称 Product Name and Specification	单位 Unit	包装分析 Packing analysis					包装尺寸 Packing size(cm)
			木箱 Wood box	纸箱 Cardboard box	数量 Quantity	毛重 Gross weight (kg)	净重 Net weight (kg)	
11251	2.5"x2.5"x1.6mm 尼龙圈 Nylon washer	付 Pair	√		200	32	29	33x20x23
11251A	2.5"x2.5"x1.0mm 折弯球轴承尼龙圈 Nylon washer	付 Pair	√		150	34	32	34x22x19
11301	3.0"x3.0"x2.0mm 尼龙圈 Nylon washer	付 Pair	√		150	41	38	39x24x19
11302	3.0"x2.5"x2.0mm 尼龙圈 Nylon washer	付 Pair	√		240	52	48	38x28x24
11302A	3.0"x2.5"x2.0mm 尼龙圈 Nylon washer	付 Pair	√		240	52	48	38x28x24
11302B	3.0"x2.5"x2.0mm 钢圈铰 Nylon washer	付 Pair	√		120	27	25	28.5x18x18
11303	3.0"x2.5"x2.0mm 尼龙圈 Nylon washer	付 Pair		√	120	26	25	28x25x19
11304	3.0"x3.0"x2.0mm 尼龙圈 Nylon washer	付 Pair		√	50	14	13	25x16x12
11305	3.0"x2.5"x2.0mm 尼龙圈 Nylon washer	付 Pair		√	60	14	13	26x18x14
11306	3.0"x2.5"x2.0mm 尼龙圈 Lron ring	付 Pair		√	120	28.5	27.5	28x25x19
11306A	3.0"x2.5"x3.0mm 尼龙圈 Lron ring	付 Pair		√	50	15.5	14.5	25x16x12
11306B	3.0"x2.5"x2.8mm 尼龙圈 Lron ring	付 Pair	√		120	35.5	33.5	28x25x19
11306C	3.0"x2.5"x2.5mm 尼龙圈 Lron ring	付 Pair		√	96	24	23	35x23x12.5
11307	3.0"x3.0"x2.0mm 尼龙圈 Nylon washer	付 Pair		√	80	21.5	20.5	25x23x14
11308	3.0"x2.5"x1.4mm 尼龙圈 Nylon washer	付 Pair	√		240	40	37	39x28x24
11309	3.0"x2.5"x2.0mm 尼龙圈 Nylon washer	付 Pair		√	100	21	20	30x21x15
113010	3.0"x3.0"x1.8mm 尼龙圈 Nylon washer	付 Pair	√		240	46	43	38x28x24
113010A	3.0"x2.5"x1.8mm 钢圈铰 Nylon washer	付 Pair	√		120	24.5	23	38.5x18x18
113010B	3.0"x2.0"x1.8mm 钢圈铰 Nylon washer	付 Pair	√		120	23.5	22	38.5x18x18
113010C	3.0"x2.5"x1.8mm 尼龙圈 Nylon washer	付 Pair	√		240	48	45	39x28x24
11351	3.0"x3.5"x2.0mm 尼龙圈 Nylon washer	付 Pair	√		150	48	45	41x29x20

尼龙、铁垫圈铰 Nylon steel ring hinge

编号 Item	产品规格及名称 Product Name and Specification	单位 Unit	包装分析 Packing analysis					包装尺寸 Packing size(cm)
			木箱 Wood box	纸箱 Cardboard box	数量 Quantity	毛重 Gross weight (kg)	净重 Net weight (kg)	
11351A	3.5"x3.5"x2.3mm 折弯铰轴承尼龙圈 Nylon washer	付 Pair	√		100	42	40	44x25x20
11351B	3.5"x3.5"x2.3mm 折弯铰平轴承尼龙圈 Nylon washer	付 Pair	√		50	22	21	33x24x14
11351C	3.5"x3.0"x2.3mm 折弯铰平轴承尼龙圈 Nylon washer	付 Pair	√		50	21	20	33x24x14
11352	3.5"x3.0"x2.0mm 尼龙圈 Nylon washer	付 Pair	√		150	43	40	39x24x17.5
11401	4.0"x3.5"x2.1mm 尼龙圈 Nylon washer	付 Pair	√		120	47	44	35x31x24
11402	4.0"x3.0"x2.0mm 尼龙圈 Nylon washer	付 Pair	√		120	44	41	35x31x24
11402A	4.0"x3.0"x2.0mm 钢圈 Nylon washer	付 Pair	√		120	44	41	35x31x24
11403	4.0"x4.0"x2.2mm 尼龙圈 Nylon washer	付 Pair	√		100	44	41	36x29x20
11403A	4.0"x4.0"x2.5mm 尼龙圈 Nylon washer	付 Pair	√		100	53	50	36x29x20
11404	4.0"x3.0"x2.0mm 尼龙圈 Nylon washer	付 Pair		√	60	23	21	29x22x15
11405	4.0"x3.5"x2.1mm 尼龙圈 Nylon washer	付 Pair		√	60	24	23	39x22x15
11406	4.0"x3.5"x2.5mm 尼龙折弯 Nylon washer bending	付 Pair		√	50	27	26	35x25x12.5
11407	4.0"x3.0"x1.5mm 尼龙圈 Nylon washer	付 Pair		√	120	29	27.5	34x24x14
11408	4.0"x3.0"x1.5mm 尼龙圈 Nylon washer	付 Pair		√	80	21	20	34x24x14
11409	4.0"x3.0"x2.0mm 尼龙圈 Nylon washer	付 Pair		√	50	19	18	28x18x15
114010	4.0"x3.0"x1.8mm 尼龙圈 Nylon washer	付 Pair	√		120	38	35	35x31x24
114011	4.0"x4.0"x2.0mm 尼龙圈 Nylon washer	付 Pair		√	50	22	21	32x22x15
114012	4.0"x4.0"x2.5mm 尼龙圈 Nylon washer	付 Pair		√	50	24	23	32x21x15
114013	4.0"x3.5"x2.5mm 尼龙折弯 Nylon washer bending	付 Pair	√		100	54	51	48x24x18
114013A	4.0"x3.5"x2.3mm 尼龙折弯 Nylon washer bending	付 Pair	√		100	43	40	45.5x29x20
114013B	4.0"x3.5"x2.3mm 平头折弯 Nylon washer bending	付 Pair	√		50	23	22	33x26x16
114014	4.0"x4.0"x2.5mm 尼龙圈 Nylon washer	付 Pair		√	50	26	25	31x23x15
114015	4.0"x4.0"x2.5mm 铁钢圈 Lron ring	付 Pair		√	50	26	25	31x25x15
114016	4.0"x4.0"x2.7mm 铁钢圈皇冠头4个圈 Lron ring with Crown tip	付 Pair		√	45	29	27.8	38x17.5x20.5
114017	4.0"x3.5"x3.0mm 铁钢圈折弯 Lron ring bending	付 Pair		√	50	28	27	27x22x23
114018	4.0"x3.5"x2.0mm 尼龙圈 Nylon washer	付 Pair		√	50	24	23	28x18x15
114019	4.0"x4.0"x2.8mm 铁钢圈平头 Lron ring flat pin	付 Pair		√	45	28.5	27.8	33x20x15.5
114019A	4.0"x4.0"x2.7mm 铁钢圈平头 Lron ring flat pin	付 Pair		√	50	30	29	33x22x15.5
114020	4.0"x3.0"x2.0mm 铁钢圈 Lron ring	付 Pair		√	60	24	23	29x22x15
114020A	4.0"x3.0"x2.0mm 铁钢圈 Lron ring	付 Pair		√	50	20	19	28x20x15
114020B	4.0"x3.0"x2.0mm 铁钢圈皇冠头 Lron ring with Crown tip	付 Pair		√	50	21	20	28x20x17
114020C	4.0"x3.0"x3.0mm 钢圈平头 Lron ring flat pin	付 Pair	√		120	56	54	35x31x23
114021	4.0"x3.5"x2.7mm 铁钢圈 Lron ring	付 Pair		√	50	28	26.5	29x24x15
114021A	4.0"x3.5"x2.7mm 铁钢圈 Lron ring	付 Pair		√	50	28	26.5	29x24x15
114022	4.0"x3.0"x1.8mm 尼龙圈 Nylon washer	付 Pair		√	60	19	20	29x22x15
114023	4.0"x3.0"x1.4mm 尼龙圈 Nylon washer	付 Pair	√		120	40	37	35x21x24
114024	4.0"x4.0"x2.9mm 铁钢圈 Lron ring	付 Pair		√	45	23.5	22.5	32x20.5x15
114025	4.0"x4.0"x2.7mm 铁钢圈皇冠头 Lron ring with Crown tip	付 Pair		√	50	30.5	29.5	34x32.5x12
114026	4.0"x3.5"x2.5mm 铁钢圈 Lron ring	付 Pair		√	45	25	24	32x19x17
11501A	5.0"x3.0"x3.0mm 铁钢圈 Lron ring	付 Pair		√	36	27	26	29x22x19
11501A	5.0"x3.0"x3.0mm 铁钢圈 Lron ring	付 Pair		√	36	27	26	29x22x19
11501	5.0"x3.0"x2.5mm 铁钢圈 Lron ring	付 Pair		√	48	27	26	29x22x19
11503	5x4x2.5mm 钢圈平头4个圈 Lron ring flat pin	付 Pair		√	40	26	25	33x19x18
114027A	4x3x2.5mm 钢圈铰平头 Lron ring flat pin	付 Pair		√	25	12	11.5	27x17x13
114028A	4x3x2.5mm 钢圈铰平头 Lron ring flat pin	付 Pair		√	25	11.5	11	27x17x13
114029A	4x3x3mm 钢圈带皇冠头 Lron ring with Crown tip	付 Pair		√	25	14	13.5	27x17x13
114030A	4x3x3mm 钢圈带皇冠头 Lron ring with Crown tip	付 Pair		√	25	13.5	13	27x17x13

橱门自关铰 Door cabinet hinge



编号 Item	产品规格及名称 Product Name and Specification	单位 Unit	包装分析 Packing analysis				
			纸箱 Cardboard box	数量 Quantity	毛重 Gross weight (kg)	净重 Net weight (kg)	包装尺寸 Packing size(cm)
14701	70x1.2mm	付 Pair	√	250	16	15	26x24x21.5
14702	70x1.2mm	付 Pair	√	200	13	12	24x24x14
14703	70x50x1.5mm	付 Pair	√	250	22	21	39x23x25
14704	70x50x41.3x1.6mm	付 Pair	√	250	24	23	39x23x27
14705	70x50x38.5x1.4mm	付 Pair	√	250	22	21	37.5x23x26.5
14706	70x55x38.5x1.5mm	付 Pair	√	250	25	24	39x23x29

澳形铰 Australian hinge

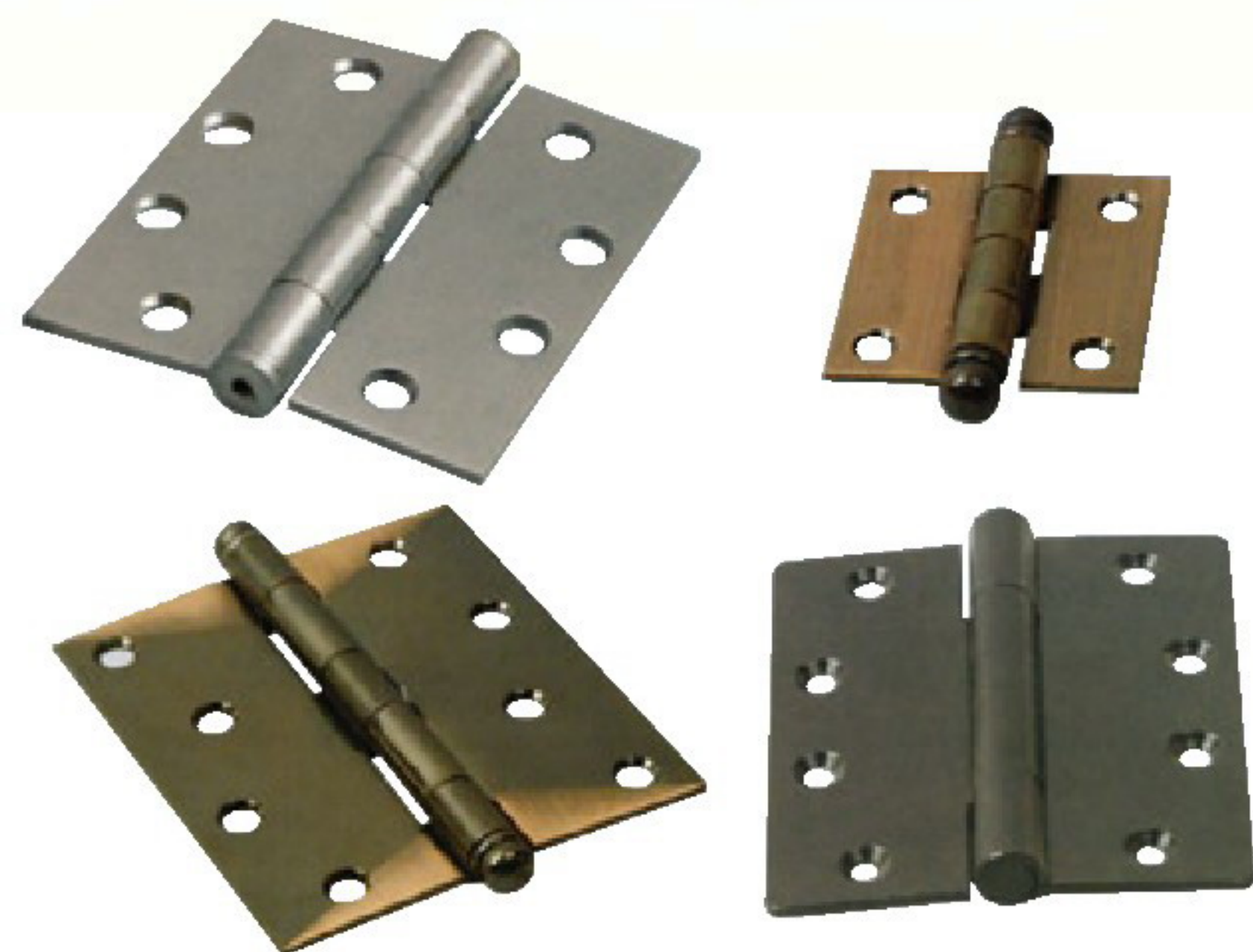


编号 Item	产品规格及名称 Product Name and Specification	单位 Unit	包装分析 Packing analysis					
			木箱 Wood box	纸箱 Cardboard box	数量 Quantity	毛重 Gross weight (kg)	净重 Net weight (kg)	包装尺寸 Packing size(cm)
15251	25x23mm	付 Pair		√	1000	17	16	29x21x14
15252	25x18x0.8mm	付 Pair		√	2000	18	16	33x18x12
15201	20x16x0.7mm	对打 Dozen Pair		√	350	23	22	33x17x16
15301	30x19x0.8mm	付 Pair		√	2000	23	22	37x19x14
15302	30x30x0.8mm	付 Pair		√	1000	16	15	32x19x12
15351	35x30x1.2mm	付 Pair		√	600	17	16	27x19x12
15352	35x22x0.8mm	付 Pair		√	2000	29	28	37x20x15

澳形铰 Australian hinge

编号 Item	产品规格及名称 Product Name and Specification	单位 Unit	包装分析 Packing analysis					
			木箱 Wood box	纸箱 Cardboard box	数量 Quantity	毛重 Gross weight (kg)	净重 Net weight (kg)	包装尺寸 Packing size(cm)
15381	38x30x1.2mm	付 Pair		√	1000	27	26	24x21x21
15381A	38x35x1.3mm	付 Pair		√	600	22	21	24x21x23
15401	40x25x0.9mm	付 Pair		√	1250	26	25	24x21x22
15402	40x40x0.9mm	付 Pair		√	750	21	20	24x21x23
15451	45x80x1.5mm	付 Pair		√	200	20	19	28x22x12
15452	45x35x1.2mm	只 Piece		√	1000	20.5	20	25.5x25.5x17.5
15501	50x37x1.25mm	付 Pair		√	400	20	19	25x21x14
15502	50x30x0.9mm	付 Pair		√	750	26	25	31x23x14
15503	50x85x1.5mm	付 Pair		√	200	23	22	28x24x13
15504	50x78x1.5mm	付 Pair		√	250	26.5	25.5	30x24x16
15505	50x50x0.9mm	付 Pair		√	600	26	24.8	36x21x13
15601	60x35x1.0mm	付 Pair		√	500	24	23	29x26x13
15602	60x60x1.0mm	付 Pair		√	250	20	19	35x16x14
15603	60x60x1.5mm	付 Pair		√	250	28	26.5	35x16x16
15631	60x43x1.3mm	付 Pair		√	300	20	19	23x22x14
15701	70x50x1.6mm 定芯 Fix Pin	付 Pair		√	150	19	18	26x19x14
15702	70x50x1.6mm 抽芯 Loose Pin	付 Pair		√	150	19	18	26x19x14
15703	70x40x1.2mm	对打 Dozen Pair		√	250	21	20	30x17x15
15703A	70x40x1.2mm	付 Pair		√	24	24	23	29x25x13
15704	70x70x1.2mm	付 Pair		√	200	24	23	33x28x10
15751	70x50x1.6mm	付 Pair		√	150	20	19	27x17x14
15752	70x50x1.6mm 凹 Concave	付 Pair		√	200	25	24	36x19x14
15801	80x45x1.2mm	付 Pair		√	250	27	26	32x19x17
15801A	80x45x1.2mm	对打 Dozen Pair		√	16	21	20	30.5x19x14
15802	80x80x1.2mm	付 Pair		√	150	24	23	30x28x11
15851	85x60x1.6mm 抽芯 Loose Pin	付 Pair		√	100	19	18	28.5x22x11
15852	85x60x1.6mm 定芯 Fix Pin	付 Pair		√	100	19	18	28.5x22x11
15853	85x60x1.6mm 定芯安全扣 Fix Pin With Stud	付 Pair		√	100	19	18	28.5x22x16
15891	89x55x1.6mm	付 Pair		√	100	18	17	30x22x12
15892	89x57x1.6mm 圆角分装 Round corner unassembled	片 Piece		√	400	19	18	32x22x18
15893	89x57x1.6mm 圆角 Round corner	付 Pair		√	100	19	18	29.5x22x12
15894	89x57x2.2mm 圆角 Round corner	片 Piece		√	400	23	20	37x21x18
15895	89x57x2.2mm 圆角 Round corner	付 Pair		√	100	23	22	34x22x12
15896	89x57x2.0mm	片 Piece		√	400	21	20	37x21x18
15897	89x57x2.0mm 圆角分装 Round corner unassembled	付 Pair		√	100	21	20	34x22x12
15898	89x57x1.6mm 脱卸左 Lift-off left	付 Pair		√	100	18	17	29.5x22x12
15899	89x57x1.6mm 脱卸右 Lift-off right	付 Pair		√	100	18	17	29.5x22x12
158910	89x57x1.6mm 脱卸左 Lift-off left	片 Piece		√	400	18	17	32x22x18
158910A	89x57x1.6mm 脱卸左 Lift-off left	片 Piece		√	400	18	17	32x22x18
158911	89x57x1.6mm 脱卸右 Lift-off right	片 Piece		√	400	18	17	32x22x18
158912	89x63.5x2.2mm 折弯 bending	付 Pair		√	75	20.5	19.6	31x22x14.2
15901	90x45x1.5mm	付 Pair		√	150	19	18	30x19x11
151001	100x75x1.6mm 抽芯 Loose Pin	付 Pair		√	80	16	15	31x18x13
151002	100x75x1.6mm 抽芯 Loose Pin	付 Pair		√	60	16	15	31x18x13
151002A	100x75x1.6mm 抽芯4个突眼 Loose Pin	付 Pair		√	80	16	15	31x19x13
151003	100x75x2.5mm 定芯 Fix Pin	付 Pair		√	50	23	22	25x20x14
151004	100x75x2.5mm 抽芯 Loose Pin	付 Pair		√	50	23	22	25x20x14
151005	100x100x2.5mm 定芯 Fix Pin	付 Pair		√	40	20	19	26x21x14
151006	100x100x2.5mm 抽芯 Loose Pin	付 Pair		√	40	20	19	26x21x14
151007	100x50x1.5mm	付 Pair		√	150	23	22	32x24x11
151008	100x20x2.2mm	付 Pair		√	250	22.5	21.5	25x25x11
151009	100x75x1.6mm 脱卸右 Lift-off right	付 Pair		√	80	16	15	31x18x13
151010	100x75x1.6mm 脱卸左 Lift-off left	付 Pair		√	80	16	15	31x18x13
1510020	100x20x1.6mm	付 Pair		√	400	25	24	31x20x12

特制球形方铰 Ball-head Square hinge



编号 Item	产品规格及名称 Product Name and Specification	单位 Unit	包装分析 Packing analysis					包装尺寸 Packing size(cm)
			木箱 Wood box	纸箱 Cardboard box	数量 Quantity	毛重 Gross weight (kg)	净重 Net weight (kg)	
20201	2.0"x2.0"x2.0mm	付 Pair		√	200	26	25	36x19x20
20251	2.5"x2.0"x1.8mm	付 Pair		√	200	27	25.5	38x16x14
20252	2.5"x2.5"x2.0mm	付 Pair		√	100	21	20	34x20x14
20301	3.5"x2.5"x1.8mm	付 Pair	√		240	48	46	39x24x19
20301A	3.5"x2.5"x1.8mm	付 Pair		√	100	21	19.5	26x17x13.5
20302	3.5"x2.5"x2.0mm	付 Pair		√	120	24	23	26x18x14
20302A	3.5"x2.5"x1.6mm	付 Pair		√	120	22	24	28.5x17x15
20302B	3.5"x2.5"x2.2mm	付 Pair		√	50	13	11	25x18x15
20303	3.5"x3.0"x2.0mm	付 Pair		√	50	14	13	25x21x15
20303A	3.5"x3.0"x2.2mm	付 Pair		√	50	16	14.5	25x22x15
20303B	3.5"x3.0"x2.2mm平头Level tip	付 Pair		√	50	15.5	14	25x22x16
20304	3.0"x2.0"x5/8x2.5mm分装 Unassembled	只piece		√	168	20	19	30x19x18
20305	3.0"x2.0"x2/4x2.0mm	付 Pair		√	96	23	22	39x21x10.5
20305A	3.0"x2.0"x4/4x1.8mm	付 Pair		√	60	21	20	25x24x14
20351	3.5"x3.0"x1.8mm	付 Pair		√	50	18	17	25x19x14
20351A	3.5"x3.0"x1.8mm	付 Pair		√	70	19	18	25.5x18x10
20351B	3.5"x3.0"x1.8mm	付 Pair		√	80	21.5	20.5	25.5x18x12
20352	3.5"x3.0"x2.0mm	付 Pair		√	50	19	18	25x19x14
20352A	3.5"x3.0"x2.0mm	付 Pair		√	60	21	20	25x24x14
20353	3.5"x3.0"x2.0mm	付 Pair	√		100	38	36	30x25x18
20354	3.5"x3.0"x2.3mm	付 Pair	√		100	41	36	30x25x18
20354A	3.5"x3.0"x2.3mm	付 Pair		√	30	12	11	25x17x14
20355	3.5"x3.0"x2.5mm	付 Pair		√	50	21	20	25x24x14

特制球形方铰 Ball-head Square hinge

编号 Item	产品规格及名称 Product Name and Specification	单位 Unit	包装分析 Packing analysis					包装尺寸 Packing size(cm)
			木箱 Wood box	纸箱 Cardboard box	数量 Quantity	毛重 Gross weight (kg)	净重 Net weight (kg)	
20355A	3.5"x3.5"x2.4mm 球型Ball head	付 Pair		√	50	17.5	16.5	31x30x16
20355B	3.5"x3.5"x2.5mm 折弯铰Bending hinge	付 Pair		√	50	2	19	31x30x16
20355C	3.5"x3.0"x2.5mm 球型Ball head	付 Pair		√	50	18	17	31x30x16
20355D	3.5"x3.5"x2.2mm 球型Ball head	付 Pair		√	50	15	14	34x19x11
20356	3.5"x3.0"x2.3mm	付 Pair		√	50	20	19	25x21x14
20356A	3.5"x3.5"x2.3mm 平头Level tip	付 Pair		√	50	15	14	34x19x11
20357	3.5"x3.0"x2.5mm 分装Unassembled	付 Pair		√	120	19	18	24x21x19
20358	3.5"x2.0"x1.8mm 抽芯Loose pin	付 Pair		√	125	25	23.5	24x19x17
20358A	3.5"x3.5"x3.0mm 分装Unassembled	付 Pair		√	25	13.5	12.5	41x20x12
20401	4.0"x3.5"x2.0mm	付 Pair		√	50	21	20	28x21x15
20401C	4.0"x3.5"x2.3mm 平头Level tip	付 Pair		√	50	22	21	29x22x17
20401A	4.0"x3.5"x2.0mm 平头Level tip	付 Pair		√	60	22	21	29x22x17
20401B	4.0"x3.5"x2.0mm 球型铰Ball head	付 Pair		√	100	27	26	30x24x18
20402	4.0"x3.5"x2.5mm 球型铰Ball head	付 Pair		√	50	25	24	28x21x15
20402A	4.0"x4.0"x2.8mm	付 Pair		√	50	27	26	34x20x12
20403	4.0"x3.5"x2.5mm	付 Pair	√		100	51	48	32x28x20
20404	4.0"x3.0"x1.8mm	付 Pair	√		144	42	40	41x29x20
20405	4.0"x3.5"x2.7mm	付 Pair		√	50	28	26.5	29x24x15
20406	4.0"x3.0"x2.0mm	付 Pair	√		120	44	41	35x31x24
20406A	4.0"x3.0"x2.0mm	付 Pair		√	50	17	16	39x17x12
20407	4.0"x3.0"x1.8mm	付 Pair	√		150	43	40.5	39x24x17
20408	4.0"x3.0"x2.0mm 带皇冠头With Crown tip	付 Pair		√	50	17.5	16.5	39x17x12
20409	4.0"x3.0"x1.8mm	付 Pair	√		120	33	32	38x29x15
204010	4.0"x3.0"x1.8mm	付 Pair	√		144	40	38	41x29x20
204011	4.0"x3.0"x1.8mm	付 Pair		√	100	29	20	31x22x13
204012	4.0"x3.5"x2.3mm	付 Pair		√	50	23.5	22	29x23x16
204013	4.0"x3.5"x2.3mm	付 Pair	√		100	48	46	41x29x20
204014	4.0"x3.0"x2.5mm	付 Pair		√	50	22	21	25x22x13
204014A	4.0"x3.0"x2.5mm	付 Pair		√	25	12	11	25x16x13
204015	4.0"x3.5"x2.9mm	付 Pair		√	50	30	29	30x25x15.5
204015A	4.0"x3.5"x3.1mm	付 Pair		√	50	35	34	30x25x16
204016	4.0"x3.5"x2.5mm	付 Pair	√		100	50	48	41x29x20
204017	4.0"x3"x2.5mm 带螺丝With Screw	付 Pair	√		100	48	46	42x28x16
204018	4.0"x3.5"x2.7mm	只piece		√	90	27	26	30x20x17.5
204019A	4.0"x3.0"x4.6mm 双层式铰Double deck	付 Pair		√	60	15	14	24x14x13
204020	4.0"x3.0"x3.0mm	付 Pair		√	25	16	15	25x16x15
204021	4.0"x4.5"x2.5mm 带安全螺丝With safety Screw	付 Pair		√	50	27.5	26.5	35x17x13
204022	4.0"x5.0"x2.5mm 带安全螺丝With safety Screw	付 Pair		√	50	30.5	29.5	35x20x13
204022A	4.0"x5.0"x2.5mm 带安全螺丝With safety Screw	付 Pair		√	24	15	14	35x16x13
204023	4"x2 _{3/4} "x1.8mm 抽芯Loose pin	付 Pair		√	125	34	33	39x23x13
204024	4"x2 _{3/4} "x2.2mm	付 Pair		√	72	23.5	22	31x27x13
204024A	4"x2 _{3/4} "x2.0mm	付 Pair		√	80	33	31	39x21x12
204025	4"x2 _{3/4} "x1.5mm	付 Pair		√	100	27	25	39x21x13
204501	4.5"x4.0"x3.4mm 带安全螺丝With safety Screw	付 Pair		√	24	20.5	19.5	35x19x16
204502	4.5"x4.5"x3.4mm 带螺丝With Screw	付 Pair		√	24	22	21	30x19x18
204503	4.5"x4.0"x3.4mm 带安全螺丝With safety Screw	付 Pair		√	24	22.5	21.5	30x19x18
205501	5"x3"x2mm	付 Pair		√	50	23	22	27x23x16

折弯铰 Bending hinge



编号 Item	产品规格及名称 Product Name and Specification	单位 Unit	包装分析 Packing analysis				
			纸箱 Cardboard box	数量 Quantity	毛重 Gross weight (kg)	净重 Net weight (kg)	包装尺寸 Packing size(cm)
221501	1.5"	付 Pair	√	100	26	25	31x24x17
22201	2"	付 Pair	√	50	15	16	22x20x18
22301	3"	付 Pair	√	100	21	20	34x26x16
22401	4"	付 Pair	√	50	28	27	35x26x18
22351	3.5"	付 Pair	√	100	24.5	23.5	42x27x11.5

弹簧铰 Spring-hinge



编号 Item	产品规格及名称 Product Name and Specification	单位 Unit	包装分析 Packing analysis				
			纸箱 Cardboard box	数量 Quantity	毛重 Gross weight (kg)	净重 Net weight (kg)	包装尺寸 Packing size(cm)
26301	3"双弹簧 Double action spring	付 Pair	√	50	42	38	43.5x27x27.5
26401	4"双弹簧 Double action spring	付 Pair	√	50	57	53	47x31x28
26501	5"双弹簧 Double action spring	付 Pair	√	40	68	64	44.5x38.5x31.5
26601	6"双弹簧 Double action spring	付 Pair	√	25	50.5	46.5	57.5x23x33
26302	3"单弹簧 Double action spring	付 Pair	√	100	45	41	45x28x29
26402	4"单弹簧 Double action spring	付 Pair	√	100	59	54	45x33x30
26502	5"单弹簧 Double action spring	付 Pair	√	50	46.5	42	55x22x35.5
26602	6"单弹簧 Double action spring	付 Pair	√	50	56	51	42x23x37.5
26701	70"外 弹簧 Single door spring	付 Pair	√	200	38	34	48.5x32x35
269201	1"弹弓 Door spring with rod 90x200mm	付 Pair	√	50	36.5	31.5	43x32x34
269251	1"弹弓 Door spring with rod 90x250mm	付 Pair	√	50	38.5	33	43x34x34
269301	1"弹弓 Door spring with rod 90x300mm	付 Pair	√	50	41	35	43x39x34

蝴蝶铰 Butterfly hinge



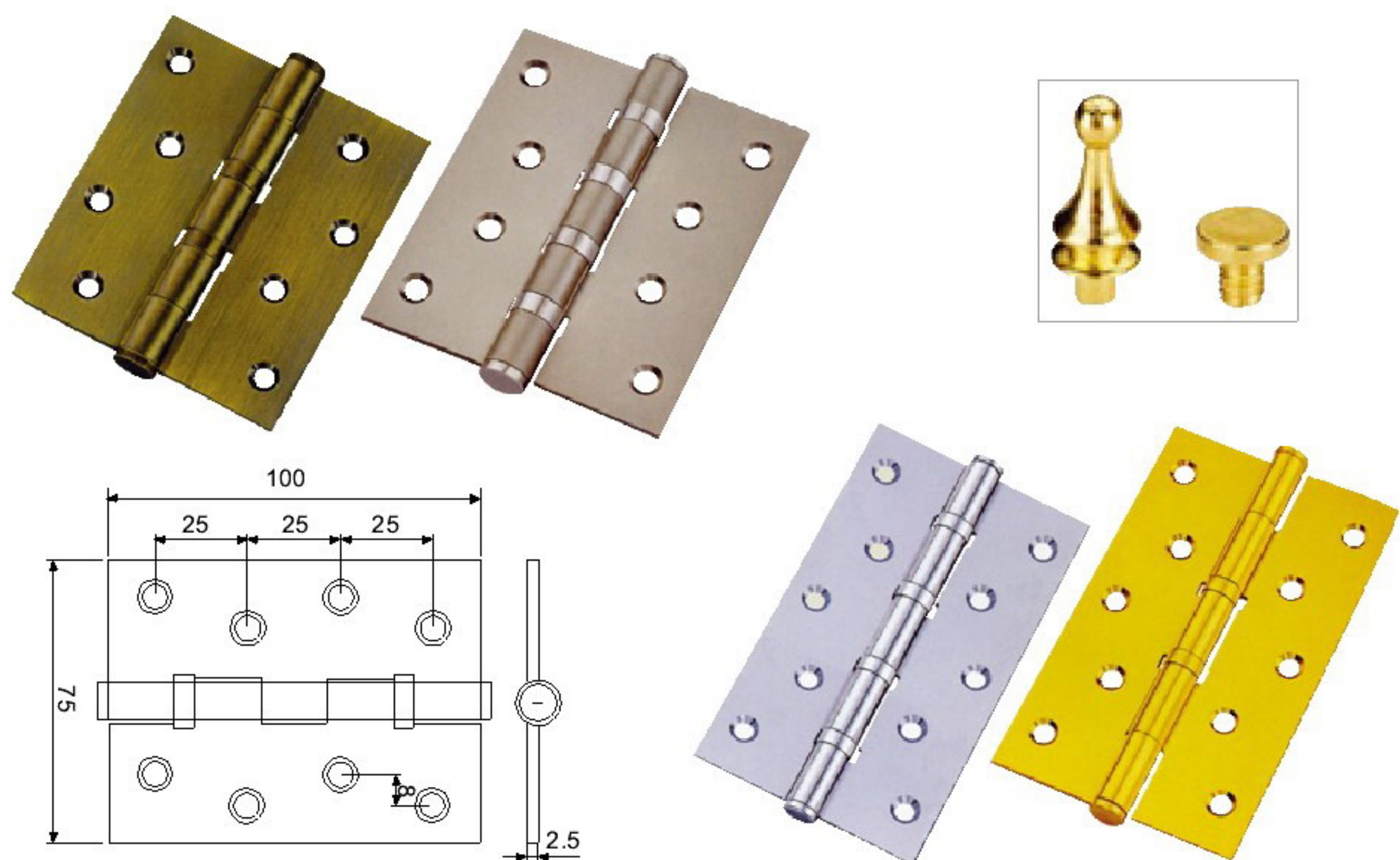
编号 Item	产品规格及名称 Product Name and Specification	单位 Unit	包装分析 Packing analysis				
			纸箱 Cardboard box	数量 Quantity	毛重 Gross weight (kg)	净重 Net weight (kg)	包装尺寸 Packing size(cm)
27001	42mm	付 Pair	√	750	13	12	25.5x23.5x13.5
27002	50mm	付 Pair	√	500	12	11	30x20x15
27003	54mm	付 Pair	√	500	12.5	12	31x20x17

"T"铰 "T" hinge



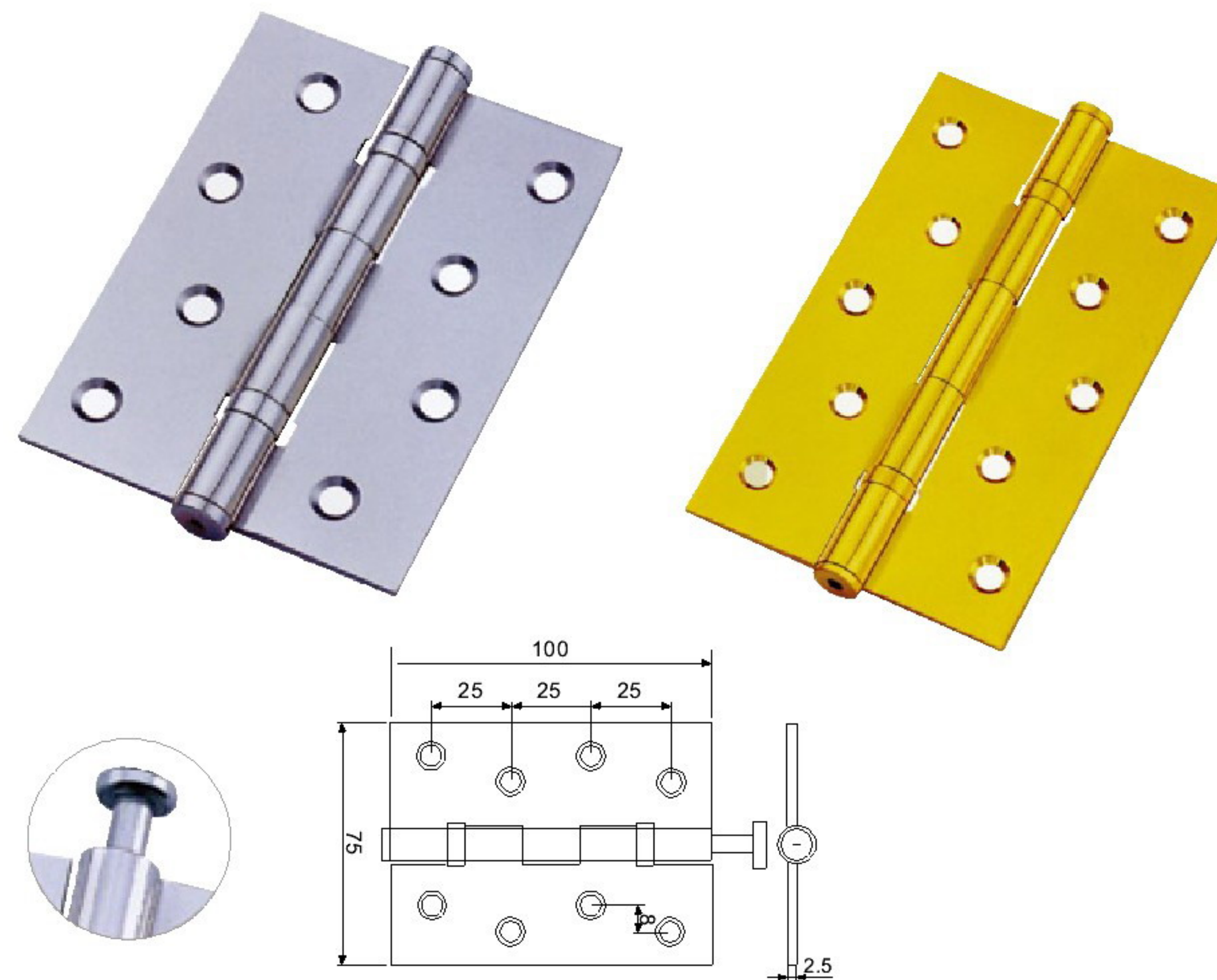
编号 Item	产品规格及名称 Product Name and Specification	单位 Unit	包装分析 Packing analysis					
			木箱 Wood box	纸箱 Cardboard box	数量 Quantity	毛重 Gross weight (kg)	净重 Net weight (kg)	包装尺寸 Packing size(cm)
28301	3"轻型 Light duty	对打 Dozen pair		√	40	47	44	38x30x19
28401	4"轻型 Light duty	对打 Dozen pair		√	40	51	48	41x35x24
28501	5"轻型 Light duty	对打 Dozen pair		√	25	46	42	45x31x30
28601	6"轻型 Light duty	对打 Dozen pair		√	25	49	45	45x35x33
28801	8"轻型 Light duty	对打 Dozen pair		√	15	47	42	47x44x22
28101	10"轻型 Light duty	对打 Dozen pair		√	15	51	45	46x43x28
281201	12"轻型 Light duty	对打 Dozen pair		√	10	51	45	56x34x31
281501	150中型 Medium-size	对打 Dozen pair		√	120	26.5	25.5	49.7x16x21.5
282001	200中型 Medium-size	对打 Dozen pair		√	100	26.5	24.5	39.5x22x21.5
282501	250中型 Medium-size	对打 Dozen pair		√	80	23	22	54x16x21.5
283001	300中型 Medium-size	对打 Dozen pair		√	80	25	24	33x31x21.5
283501	350中型 Medium-size	对打 Dozen pair		√	80	27.5	26.5	38x31x21.5
284001	400中型 Medium-size	对打 Dozen pair		√	60	23	22	43x23.5x21.5
285001	500中型 Medium-size	对打 Dozen pair		√	60	26.5	25.5	53x23.5x21.5
286001	600中型 Medium-size	对打 Dozen pair		√	60	29	28	63x23.5x21.5
284002	4"重型 Heavy duty	对打 Dozen pair		√	120	14.5	13.5	46x40x14
286002	6"重型 Heavy duty	对打 Dozen pair		√	40	12.5	11.5	31.5x26x14
288002	8"重型 Heavy duty	对打 Dozen pair		√	40	21	20	57.5x35.5x14
281002	10"重型 Heavy duty	对打 Dozen pair		√	20	18	17	43x32.5x16
284003	4"重型一字 Heavy duty flared tip	对打 Dozen pair		√	120	14.5	13.5	46x27x11
286003	6"重型一字 Heavy duty flared tip	对打 Dozen pair	√		80	23	22	20.5x31x14
288008	8"重型一字 Heavy duty flared tip	对打 Dozen pair	√		40	21	20	35.5x29x14
281001	10"重型一字 Heavy duty flared tip	对打 Dozen pair	√		20	17.5	16.5	24x28.5x16

轴承铰 High class Ball-Bearing hinge



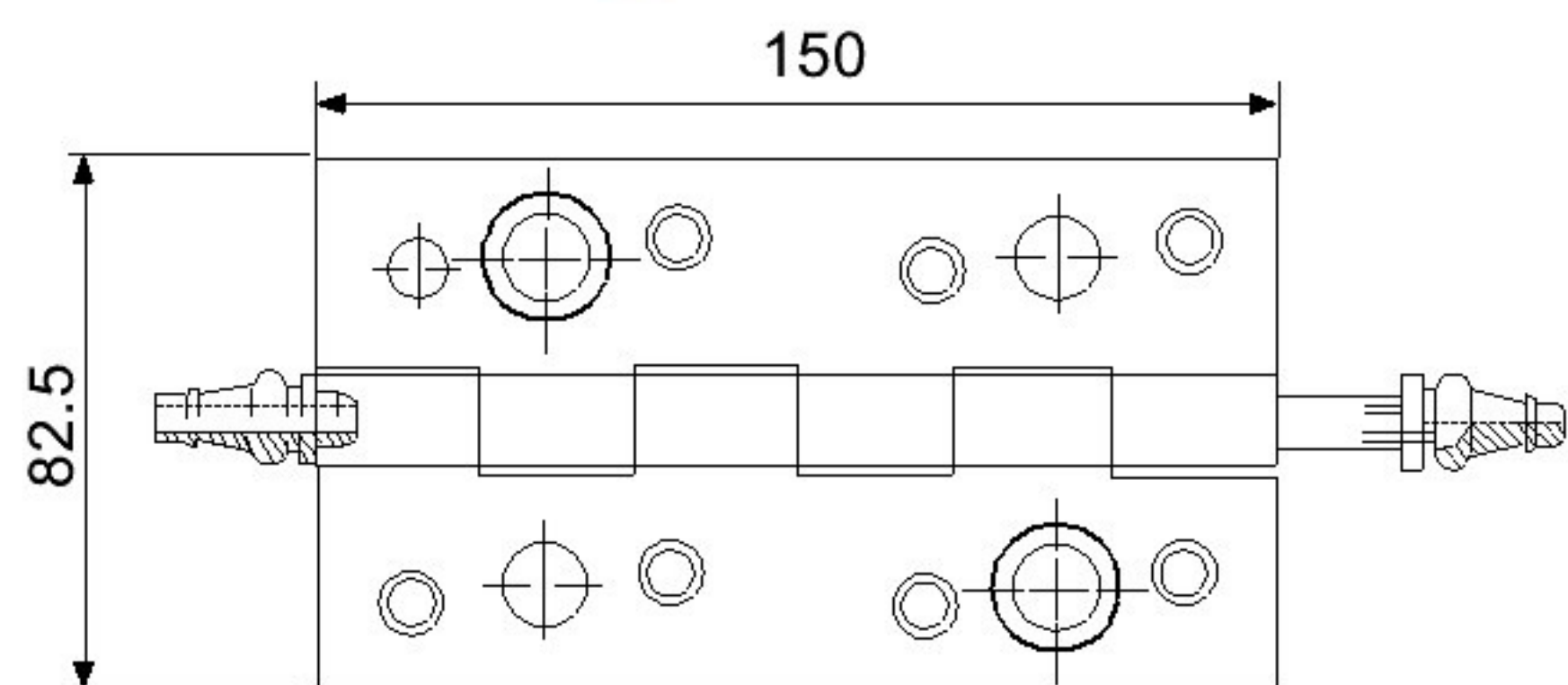
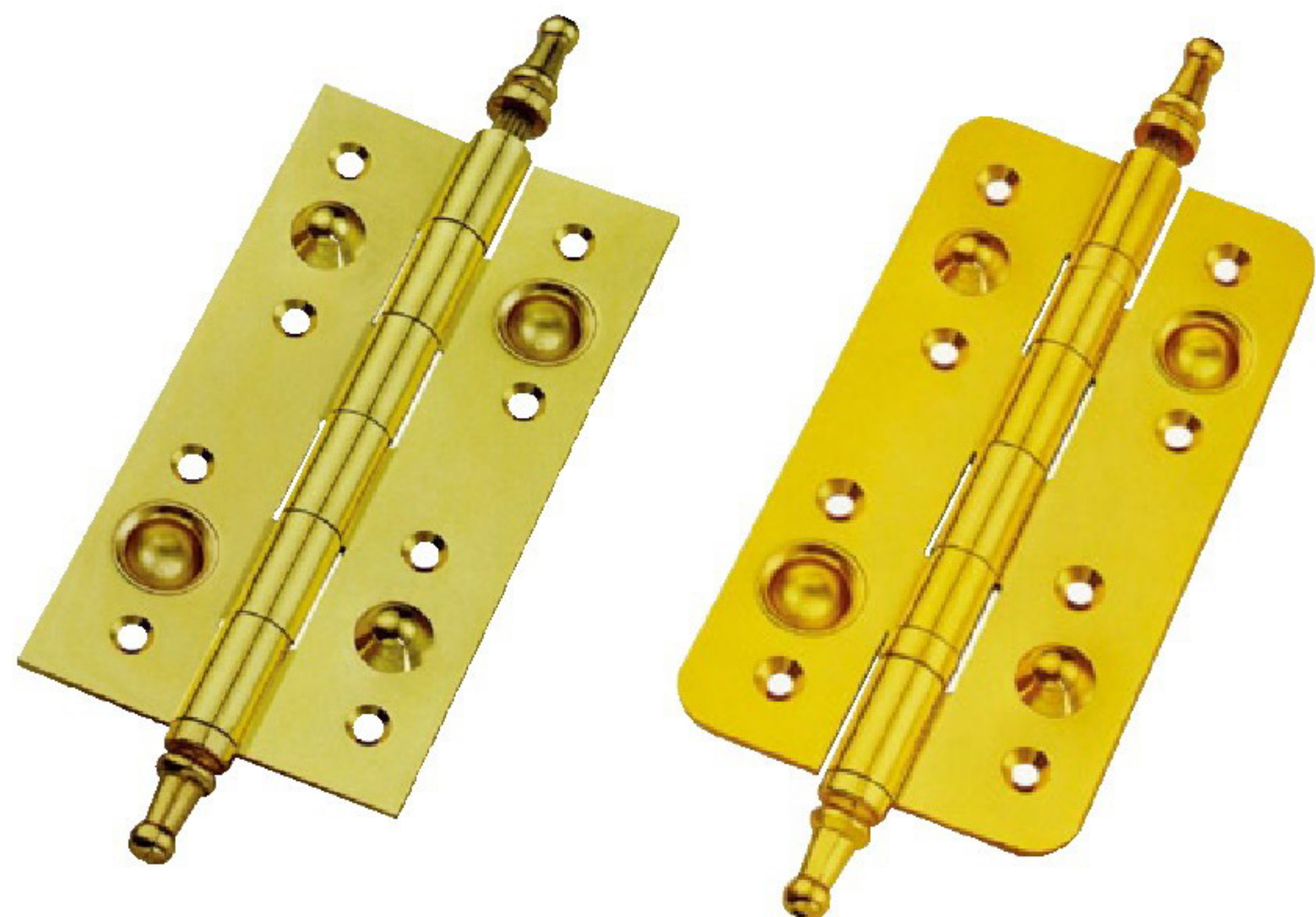
SPEC	Color box	Inner box	Meas.	Packing	N.W./G.W.
3.0" x 2.5" x 2.0mm x 2BB FHP	1 pair/color box	12 pair/Inner box	29x24x14cm	72 pair/CTN	16.5/17.5KGS
3.0" x 2.5" x 2.2mm x 2BB FHP	1 pair/blister card	6 pair/Inner box	43x35x16.5cm	72 pair/CTN	19/20KGS
3.0" x 2.5" x 2.5mm x 2BB FHP	1 pair/color box	12 pair/Inner box	30x23x13.5cm	72 pair/CTN	20.5/21.5KGS
3.0" x 2.5" x 2.5mm x 2BB CHP	1 pair/blister card	6 pair/Inner box	44.5x36x17cm	72 pair/CTN	22.3/23.3KGS
4.0" x 3.0" x 2.0mm x 4BB FHP	1 pair/color box	12 pair/Inner box	28x24x15cm	60 pair/CTN	20.5/21.5KGS
4.0" x 3.0" x 2.2mm x 4BB FHP	1 pair/blister card	6 pair/Inner box	55x28.5x19cm	60 pair/CTN	21/22KGS
4.0" x 3.0" x 2.5mm x 4BB FHP	1 pair/color box	12 pair/Inner box	61x17x12cm	60 pair/CTN	25.8/26.8KGS
4.0" x 3.0" x 2.5mm x 4BB CHP	1 pair/color box	12 pair/Inner box	26.5x22x13cm	48 pair/CTN	21.5/22.5KGS
4.0" x 3.0" x 3.0mm x 4BB FHP	1 pair/color box	12 pair/Inner box	29x28.5x16cm	60 pair/CTN	28.8/29.8KGS
4.0" x 3.5" x 3.0mm x 4BB FHP	1 pair/color box	12 pair/Inner box	30.5x23.5x17cm	48 pair/CTN	
5.0" x 3.0" x 2.2mm x 4BB FHP	1 pair/blister card	6 pair/Inner box	55.5x19x21cm	60 pair/CTN	30.5/31.5KGS
5.0" x 3.0" x 2.5mm x 4BB FHP	1 pair/color box	12 pair/Inner box	56.5x14x18.5cm	60 pair/CTN	31.5/32.5KGS
5.0" x 3.0" x 2.5mm x 4BB CHP	1 pair/color box	12 pair/Inner box	28x23.5x20cm	48 pair/CTN	26/27KGS
5.0" x 3.0" x 3.0mm x 4BB FHP	1 pair/color box	12 pair/Inner box	27.5x23x20cm	48 pair/CTN	28.6/29.6KGS
5.0" x 3.0" x 3.0mm x 4BB CHP	1 pair/color box	12 pair/Inner box	27.5x23x20cm	48 pair/CTN	29.6/30.6KGS

抽芯铰 High class Removable hinge



SPEC	Color box	Inner box	Meas.	Packing	N.W./G.W.
3.0" x 2.5" x 2.5mm x 2BB FHP	1 pair/color box		25.8x22x21.5cm	100 pair/CTN	27/28 KGS
4.0" x 3.0" x 2.5mm x 2BB FHP	1 pair/color box		26x22x16.5cm	50 pair/CTN	20.5/22 KGS
5.0" x 3.0" x 2.5mm x 2BB FHP	1 pair/color box		23x22.5x19.5cm	40 pair/CTN	20/22 KGS

安全铰 Security hinge



SPEC	Color box	Inner box	Meas.	Packing	N.W./G.W.
150 x 80 x 3.0mm CHP	1 PC/OPP BAG	24 PCS/Inner box	22.5x18.5x22cm	48 PCS/CTN	21/22KGS
150 x 80 x 3.0mm x 2BB CHP	1 PC/OPP BAG	24 PCS/Inner box	22.5x18.5x22cm	48 PCS/CTN	21/22KGS
150 x 80 x 3.0mm CHP	1 PC/OPP BAG	24 PCS/Inner box	22.5x18.5x22cm	48 PCS/CTN	21/22KGS
150 x 80 x 3.0mm CHP	1 PC/OPP BAG	24 PCS/Inner box	22.5x18.5x22cm	48 PCS/CTN	21/22KGS
150 x 80 x 3.0mm FHP	1 PC/OPP BAG	24 PCS/Inner box	19.5x19x23cm	48 PCS/CTN	21/22KGS

不锈钢铰 Stainless steel hinge

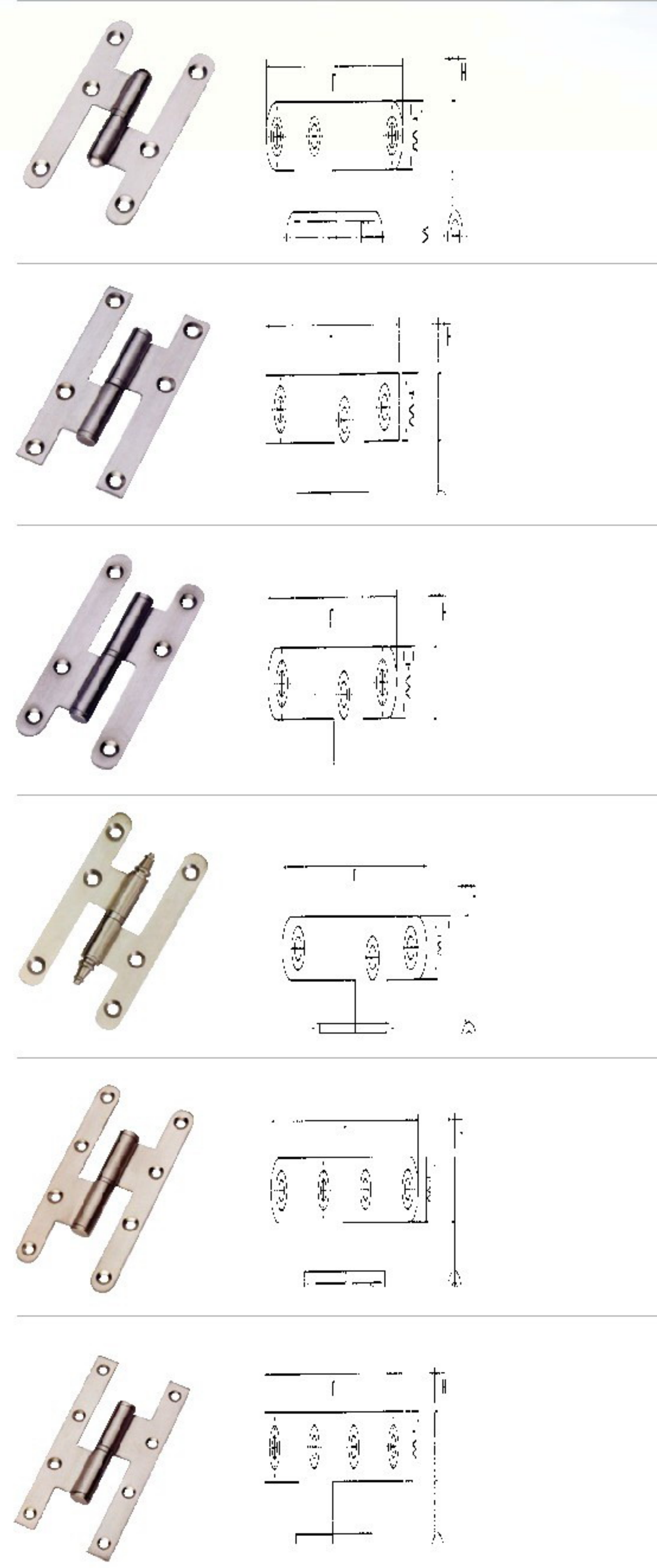


编号 Item	产品规格及名称 Product Name and Specification	单位 Unit	包装分析 Packing analysis				包装尺寸 Packing size(cm)	
			木箱 Wood box	纸箱 Cardboard box	数量 Quantity	毛重 Gross weight (kg)		净重 Net weight (kg)
19201	2"x2"x2.0mm	付 Pair	√		200	23	22	39x19x18
19251	2.5"x2.5"x1.5mm	付 Pair		√	100	13	11.8	30x18x9
19252	2.5x2.5"x2.0mm	付 Pair	√		200	36	33	33x20x23
19301	3.0x3.0"x2.0mm	付 Pair		√	50	13	11.8	22x19x10.3
19302	3.0x3.0"x2.0mm	付 Pair	√		150	42	40	39x24x19
19303	3.0x3.0"x2.0mm 带轴承With ball-bearing	付 Pair		√	100	25	24	30x23x15
19351	3.5x3.5"x2.5mm	付 Pair	√		100	38	35	38x28x14
19351A	3.5x3.5"x2.3mm	付 Pair		√	50	19	18	29x19x14
19352	3.5x3.5"x2.5mm	付 Pair		√	50	21	19.8	24.5x22x12
19353	3.5x3.5"x2.0mm	付 Pair	√		150	47	45	41x29x20
19354	3.5x3.5"x2.0mm 带轴承With ball-bearing	付 Pair		√	50	19	18	28x20x14

不锈钢铰 Stainless steel hinge

编号 Item	产品规格及名称 Product Name and Specification	单位 Unit	包装分析 Packing analysis					包装尺寸 Packing size(cm)
			木箱 Wood box	纸箱 Cardboard box	数量 Quantity	毛重 Gross weight (kg)	净重 Net weight (kg)	
19401	4.0"x4.0"x2.5mm	付 Pair		√	50	25	24	23x22x13
19401A	4.0"x4.0"x2.5x1/4mm圆角带钉Round corner with nail	付 Pair		√	50	26	25	32x21x15
19401B	40x40x3.0mm圆角带轴承Round corner with ball-bearing	付 Pair		√	24	20	19	30x19x18
19401C	40x40x3.0mm圆角带轴承Round corner with ball-bearing	付 Pair		√	24	20	19	30x19x18
19401E	40x40x2.5mm方角带轴承Round corner with ball-bearing	付 Pair		√	40	22	21	32x21x15
19402	4.0"x4.0"x2.5mm分装 Unassembled	付 Pair		√	50	26	25	43x24x13
19403	4.0"x4.0"x2.5mm带螺丝With Screw	付 Pair	√		100	51	48.5	36x29x20
19404	4.0"x3.5"x2.5mm	付 Pair		√	50	24	23	30x24x13
19405	4.0"x3.5"x3.0mm	付 Pair		√	50	28	27	30x24x13
19405A	4.0"x3.5"x3.0mm	付 Pair		√	48	20	19	30x19x18
19406	100x86x3.0mm 脱卸右Lift- off right	付 Pair		√	50	25	24	27x23x13
19406A	100x86x3.0mm 脱卸左Lift- off left	付 Pair		√	50	25	25	27x23x13
19407	100x86x2.5mm 脱卸Lift- off	付 Pair		√	50	22.5	21.5	29x26x12.5
19408	4.0"x3.5"x3.0mm 带轴承With ball- bearing	付 Pair		√	50	30	29	29x26x15
19409	4.0"x3.5"x2.5mm 轴承带螺丝Ball- bearing with Screw	付 Pair	√		100	48	46	34x29x20
194010	4.0"x4.0"x2.0mm 轴承带螺丝Ball- bearing with Screw	付 Pair	√		100	47	45	39x29x20
194011	4.0"x3.0"x3.0mm 带轴承With ball- bearing	付 Pair		√	50	27	26	29x22x15
194011A	4.0"x3.0"x3.0mm方角带轴承Square corner with Ball- bearing	付 Pair		√	30	18	17	29x18x13
194012	4.0"x4.0"x2.7mm带轴承半圆半方Ball- bearing sq	付 Pair		√	50	28	27	32x22x15
194012A	4.0"x4.0"x2.8mm带轴承 With ball- bearing	付 Pair		√	60	34	33	30x24x13
194014	4.5"x4.0"x3.0mm带轴承 With ball- bearing	付 Pair		√	25	20	19	30x19x18
194014A	4.5"x4.0"x3.0mm带轴承 With ball- bearing	付 Pair		√	24	20.5	19.5	30x19x18
19801	80x82x2.5mm脱卸Hift- off	付 Pair		√	60	21	20	28x26x10.5
19802	80x45x2.0mm H铰"H"hinge	付 Pair		√	120	16.5	15.5	23x20x13.5
19901	96x65x2.5mm脱卸Hift- off	付 Pair		√	50	17	15.8	26x21x10
19951	95x55x2.0mmH铰"H"hinge	付 Pair		√	120	20	19	36x20x11.5
191101	110x55x2.0mmH铰"H"hinge	付 Pair		√	120	24	22.5	36x20x13.5
191102	110x55x2.5mmH铰"H"hinge	付 Pair		√	60	16	15	28x21x13
191102A	110x55x2.5mmH铰"H"hinge	付 Pair		√	50	23	22	33x25x13
191401	140x70x3.0mmH铰"H"hinge	付 Pair		√	60	28	27	33x24x15
191401A	140x70x3.0mmH铰"H"hinge	付 Pair		√	50	26	25	33x23x17
194102	140x55x2.5mmH铰"H"hinge	付 Pair		√	60	16	17	33x21x14
191403	140x110x3.0mmH铰"H"hinge	付 Pair		√	36	19	18	31x21x15.1
191403A	140x110x3.0mmH铰"H"hinge	付 Pair		√	50	24	23.1	31x23x12.5
191601	160x80x3.0mmH铰"H"hinge	付 Pair		√	50	12.5	11.6	27x19x11

H铰系列 SS H hinge series



Mod.	SIZES mm.			
	L	W	H	W1
H95552	95	55	2.0	14
H10552	100	55	2.0	14
H10572	100	57	2.0	13.5
H11552	110	55	2.0	14
H11554	110	55	2.5	15
finish	stainless steel aisi 304			
STAINLESS STEEL AISI 304 ALL THE PIECE				

Mod.	SIZES mm.			
	L	W	H	W1
H95551	95	55	2.0	14
H10551	100	55	2.0	14
H10571	100	57	2.0	13.5
H11551	110	55	2.0	14
H11553	110	55	2.5	15
finish	stainless steel aisi 304			
STAINLESS STEEL AISI 304 ALL THE PIECE				

Mod.	SIZES mm.			
	L	W	H	W1
H95553	95	55	2.0	14
H10553	100	55	2.0	14
H10573	100	57	2.0	13.5
H11554	110	55	2.0	14
H11555	110	55	2.5	15
finish	stainless steel aisi 304			
STAINLESS STEEL AISI 304 ALL THE PIECE				

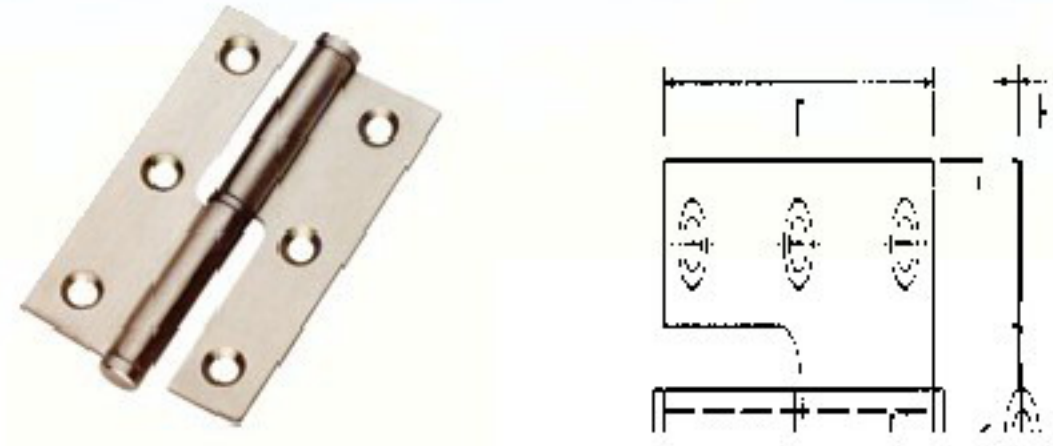
Mod.	SIZES mm.			
	L	W	H	W1
H95558	95	55	2.0	14
H10558	100	55	2.0	14
H10578	100	57	2.0	13.5
H11558	110	55	2.0	14
H11558	110	55	2.5	15
finish	stainless steel aisi 304			
STAINLESS STEEL AISI 304 ALL THE PIECE				

Mod.	SIZES mm.			
	L	W	H	W1
H14552	140	55	2.5	16
H14602	140	60	3.0	16
H14702	140	70	3.0	16
H14802	140	80	3.0	16
finish	stainless steel aisi 304			
STAINLESS STEEL AISI 304 ALL THE PIECE				

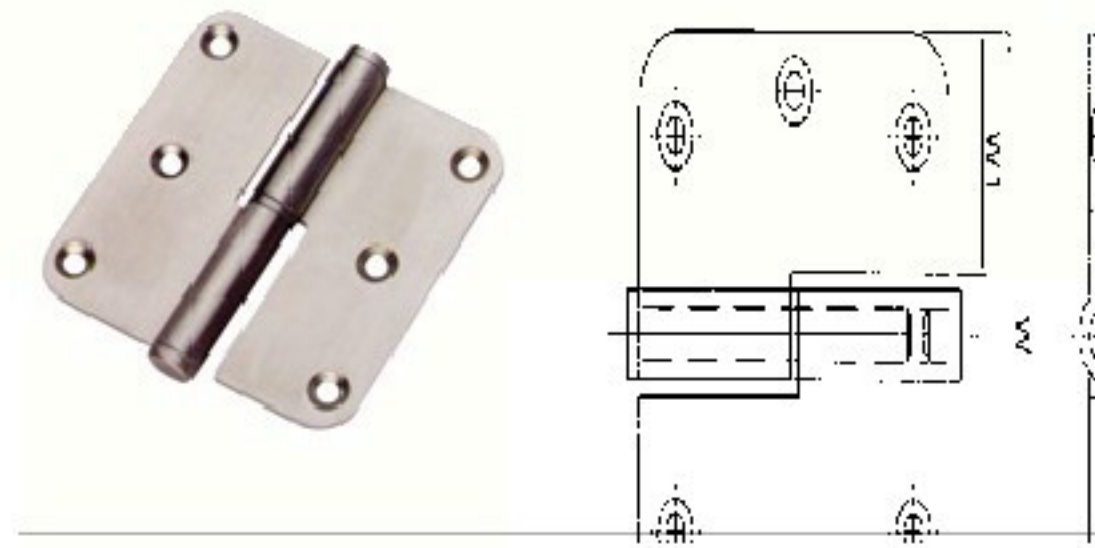
Mod.	SIZES mm.			
	L	W	H	W1
H14551	140	55	2.5	16
H14601	140	60	3.0	16
H14701	140	70	3.0	16
H14801	140	80	3.0	16
finish	stainless steel aisi 304			
STAINLESS STEEL AISI 304 ALL THE PIECE				

L铰系列 SS L hinge series

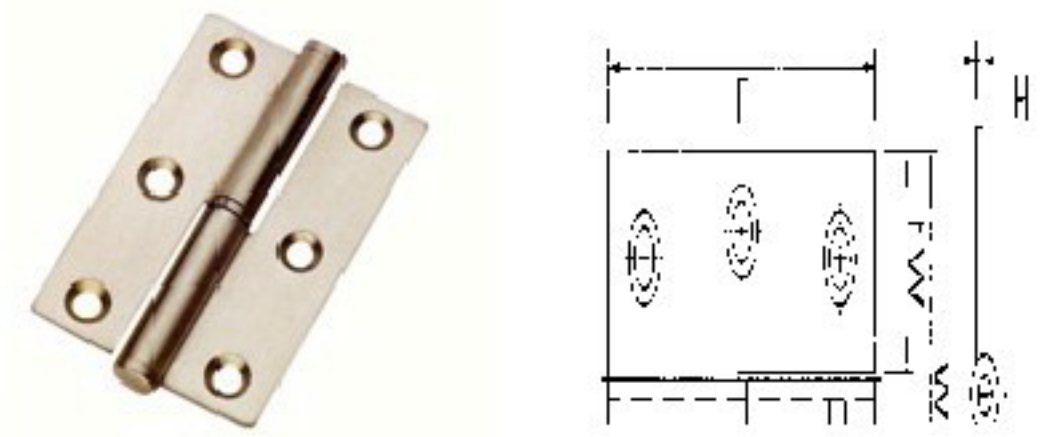
L铰系列 SS L hinge series



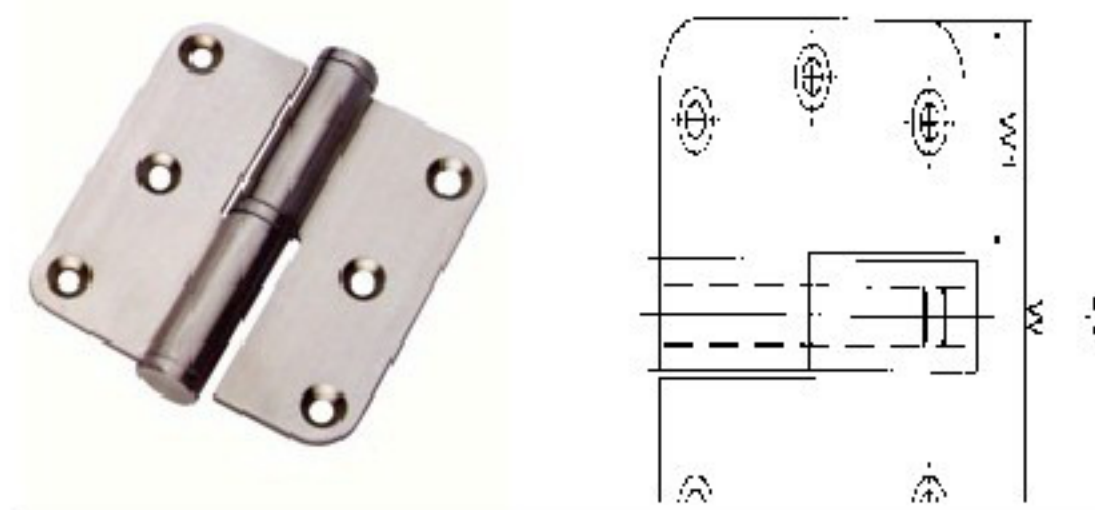
Mod.	SIZES mm.			
	L	W	H	W1
L64422	63.5	41.5	2.0	15
L76522	76	51.5	2.0	15
L89562	89	56.2	2.2	17
finish	stainless steel aisi 304			
STAINLESS STEEL AISI 304 ALL THE PIECE				



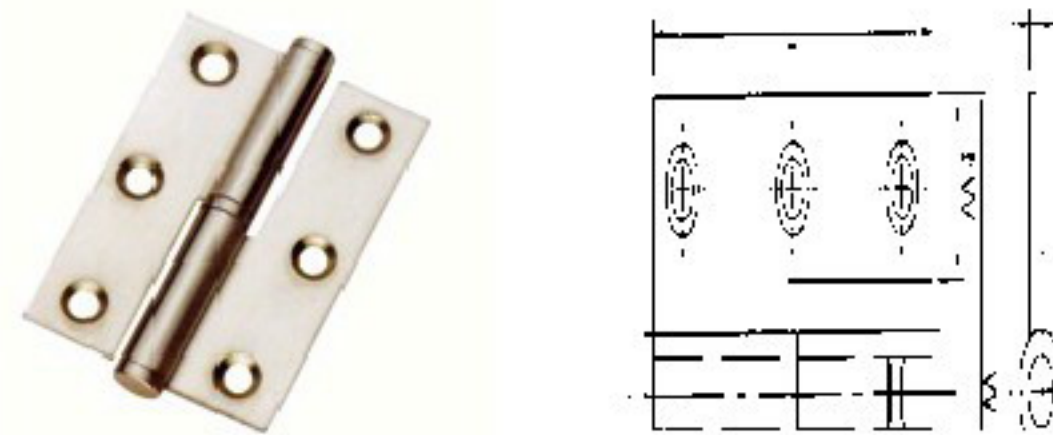
Mod.	SIZES mm.			
	L	W	H	W1
L80801	80	80	2.0	31.5
L80802	80	80	2.5	31.5
L89892	89	89	2.5	35
finish	stainless steel aisi 304			
STAINLESS STEEL AISI 304 ALL THE PIECE				



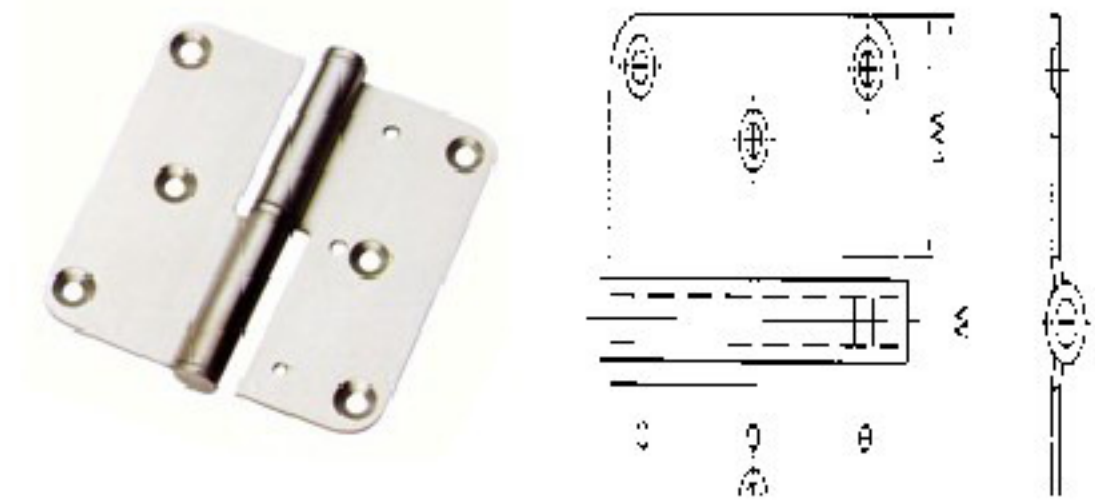
Mod.	SIZES mm.			
	L	W	H	W1
L50401	50	40	1.5	16.5
L60401	60	40	1.5	16.5
L70501	70	50	1.5	21.5
L76531	76	53	2.0	20
finish	stainless steel aisi 304			
STAINLESS STEEL AISI 304 ALL THE PIECE				



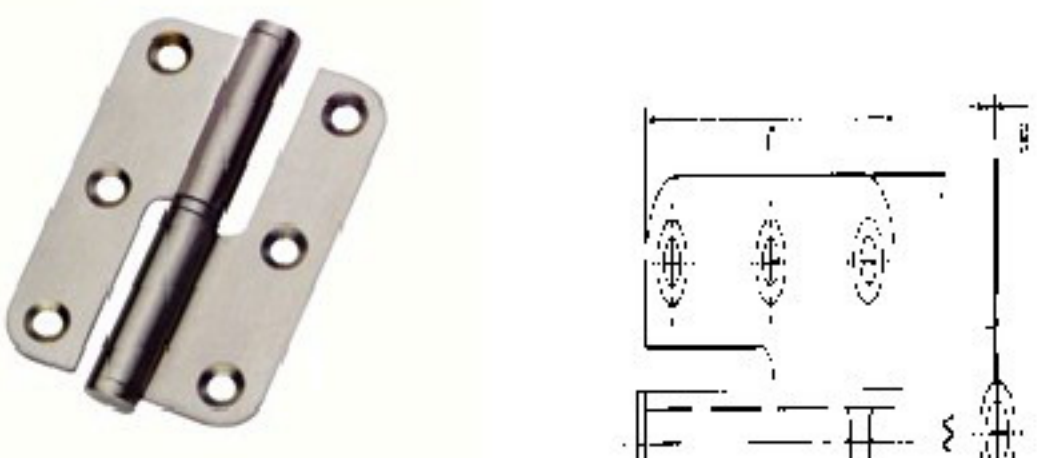
Mod.	SIZES mm.			
	L	W	H	W1
L80803	80	80	3.0	31
L80804	80	80	3.5	31
L89893	89	89	3.0	33.5
L90903	90	90	3.0	33.5
finish	stainless steel aisi 304			
STAINLESS STEEL AISI 304 ALL THE PIECE				



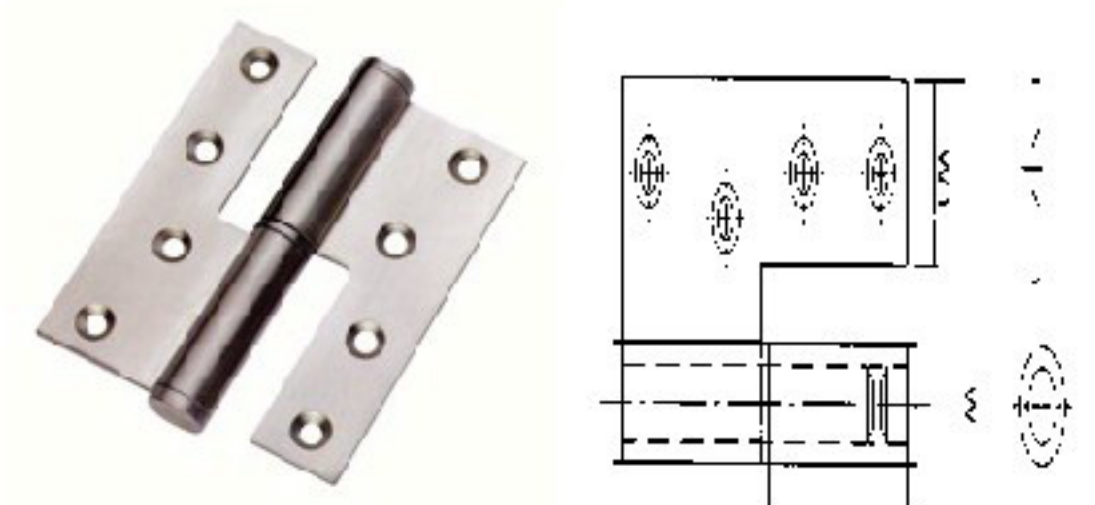
Mod.	SIZES mm.			
	L	W	H	W1
L64421	63.5	41.5	2.0	16.5
L76521	76	51.5	2.0	20
L89561	89	56.2	2.2	21
finish	stainless steel aisi 304			
STAINLESS STEEL AISI 304 ALL THE PIECE				



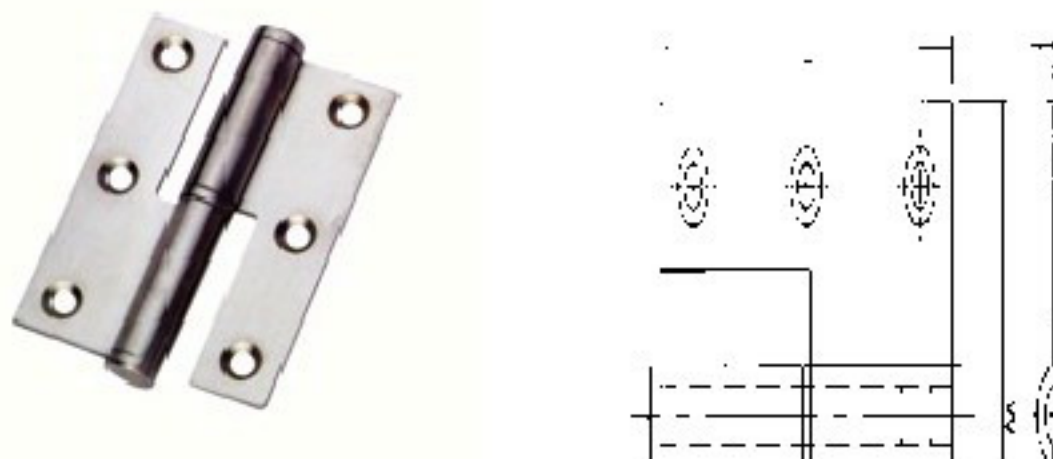
Mod.	SIZES mm.			
	L	W	H	W1
L80805	80	80	2.5	31.5
L89895	89	89	2.5	35
finish	stainless steel aisi 304			
STAINLESS STEEL AISI 304 ALL THE PIECE				



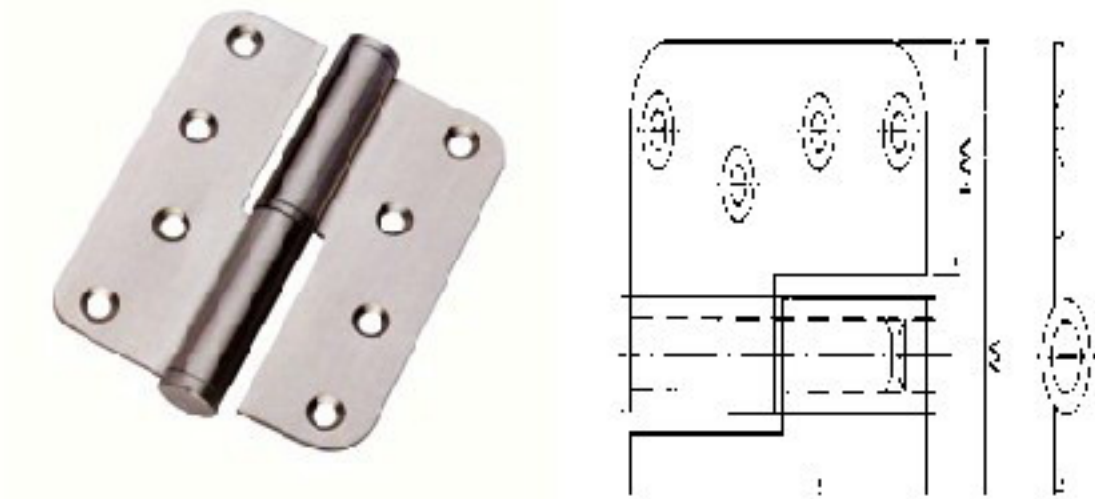
Mod.	SIZES mm.			
	L	W	H	W1
L76563	76	56	2.0	18
L76583	76	58	2.0	18
L76584	76	58	2.5	18
finish	stainless steel aisi 304			
STAINLESS STEEL AISI 304 ALL THE PIECE				



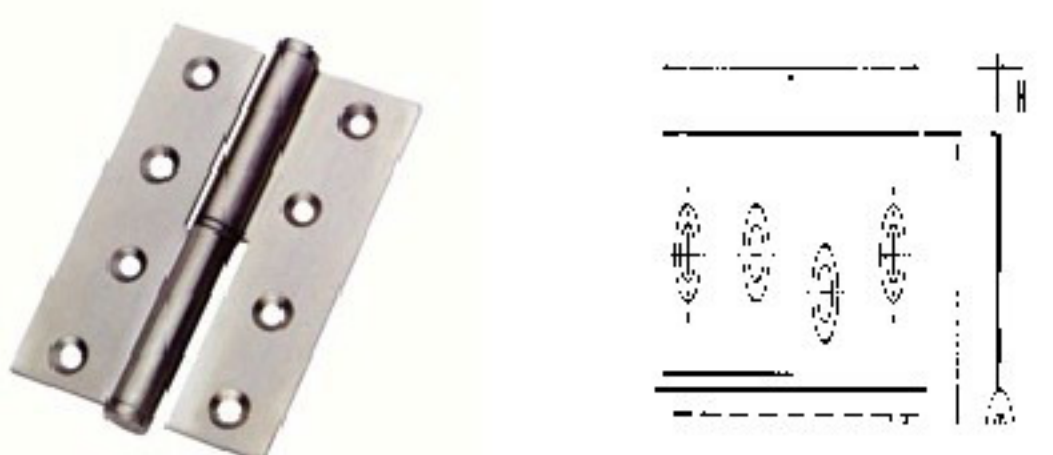
Mod.	SIZES mm.			
	L	W	H	W1
L10861	100	86	3.0	25
L12861	120	86	3.0	25
finish	stainless steel aisi 304			
STAINLESS STEEL AISI 304 ALL THE PIECE				



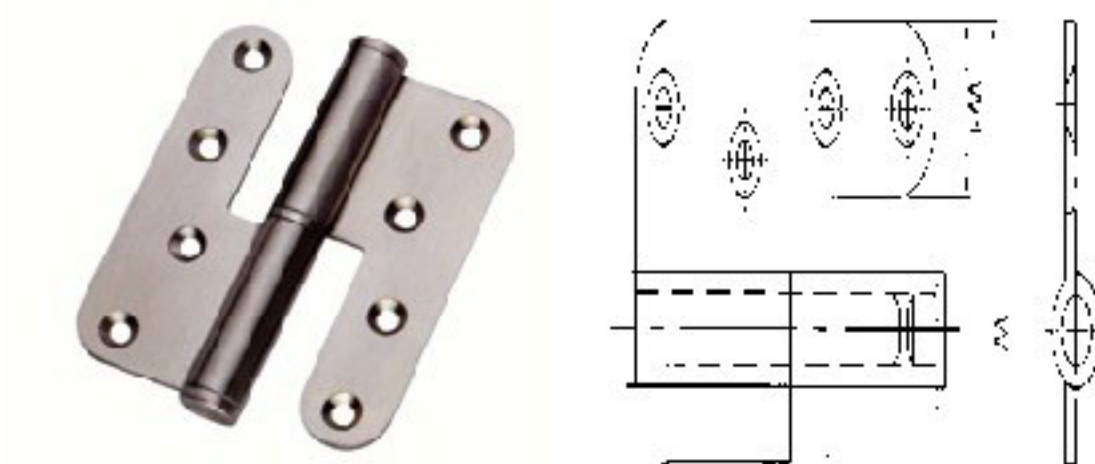
Mod.	SIZES mm.			
	L	W	H	W1
L76585	76	58	2.5	18
finish	stainless steel aisi 304			
STAINLESS STEEL AISI 304 ALL THE PIECE				



Mod.	SIZES mm.			
	L	W	H	W1
L10862	100	86	3.0	32
L12862	120	86	3.0	32
L14862	140	80	3.0	31
finish	stainless steel aisi 304			
STAINLESS STEEL AISI 304 ALL THE PIECE				



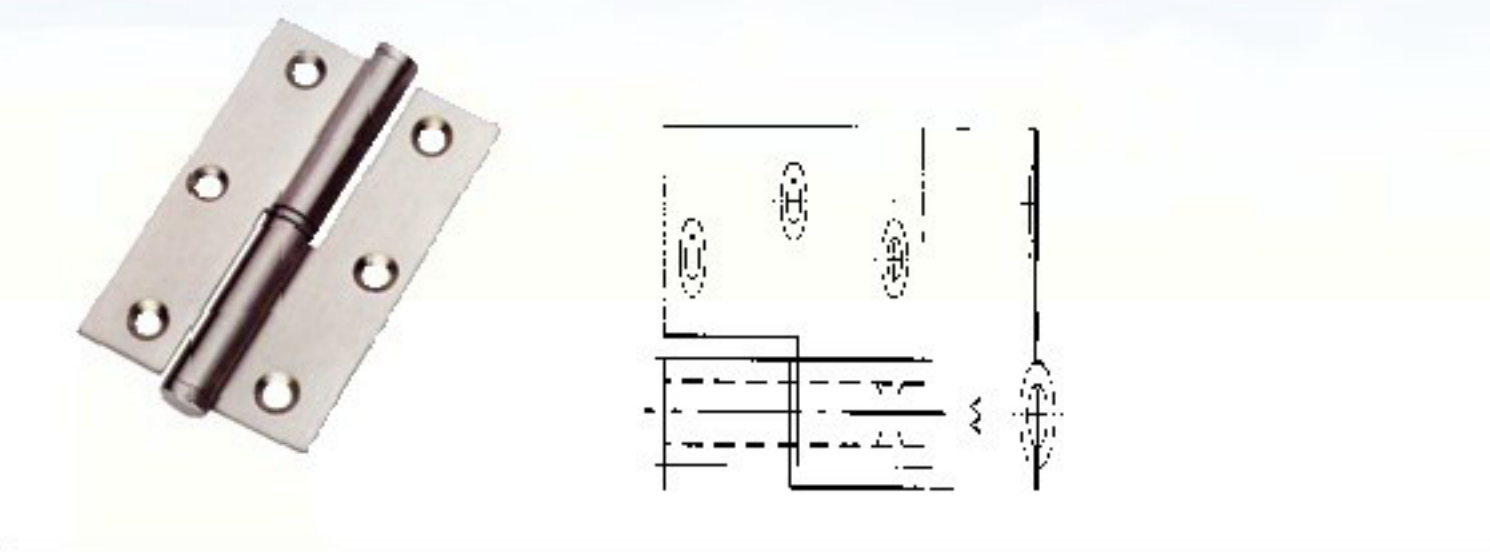
Mod.	SIZES mm.			
	L	W	H	W1
L10651	100	65	2.5	25
L10701	100	70	2.5	26.5
L10801	120	80	3.0	31
finish	stainless steel aisi 304			
STAINLESS STEEL AISI 304 ALL THE PIECE				



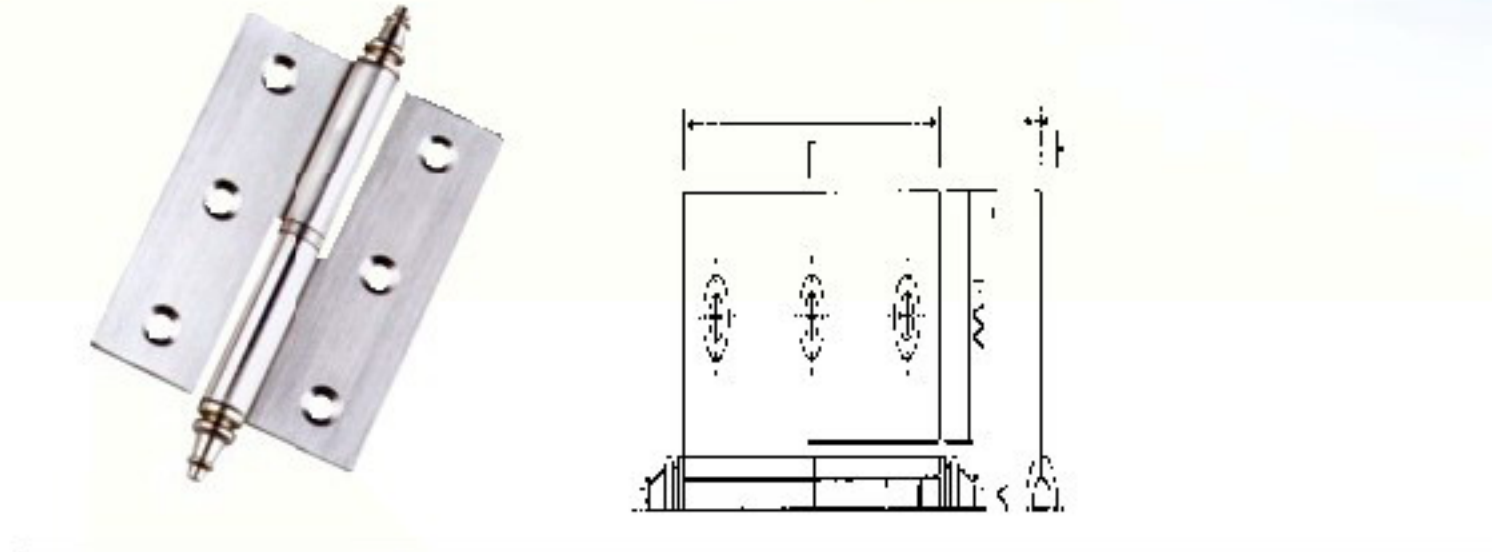
Mod.	SIZES mm.			
	L	W	H	W1
L10863	100	86	3.0	25
L12863	120	86	3.0	25
finish	stainless steel aisi 304			
STAINLESS STEEL AISI 304 ALL THE PIECE				

L铰系列 SS L hinge series

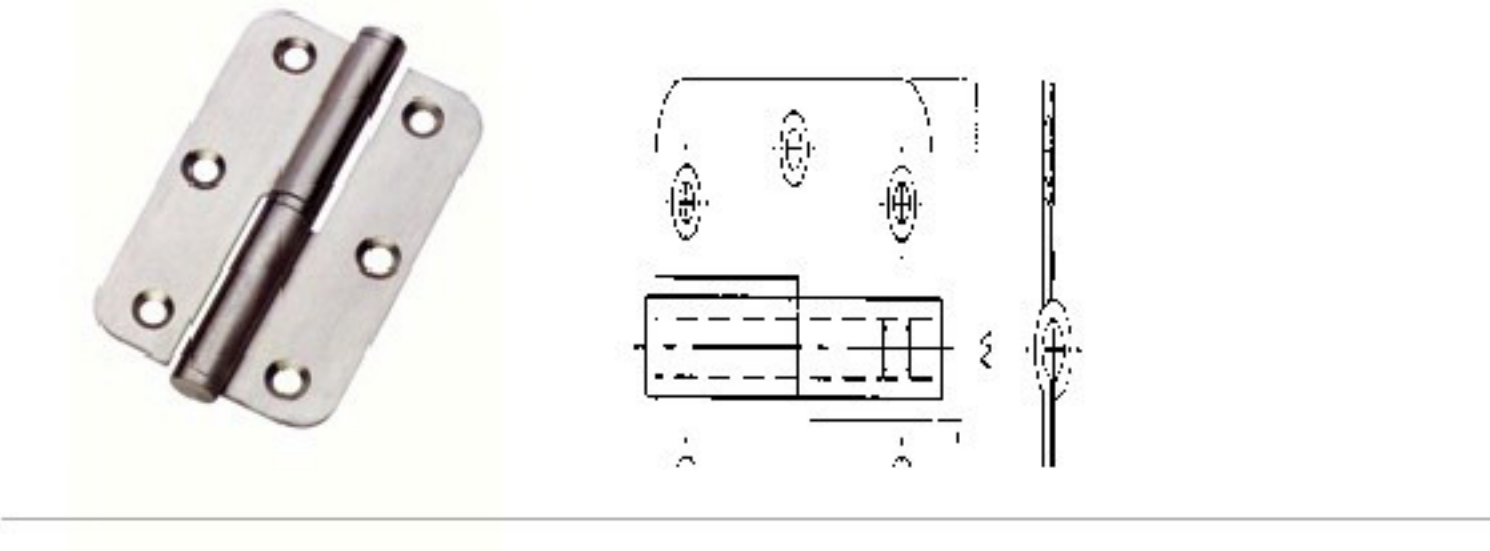
L铰系列 SS L hinge series



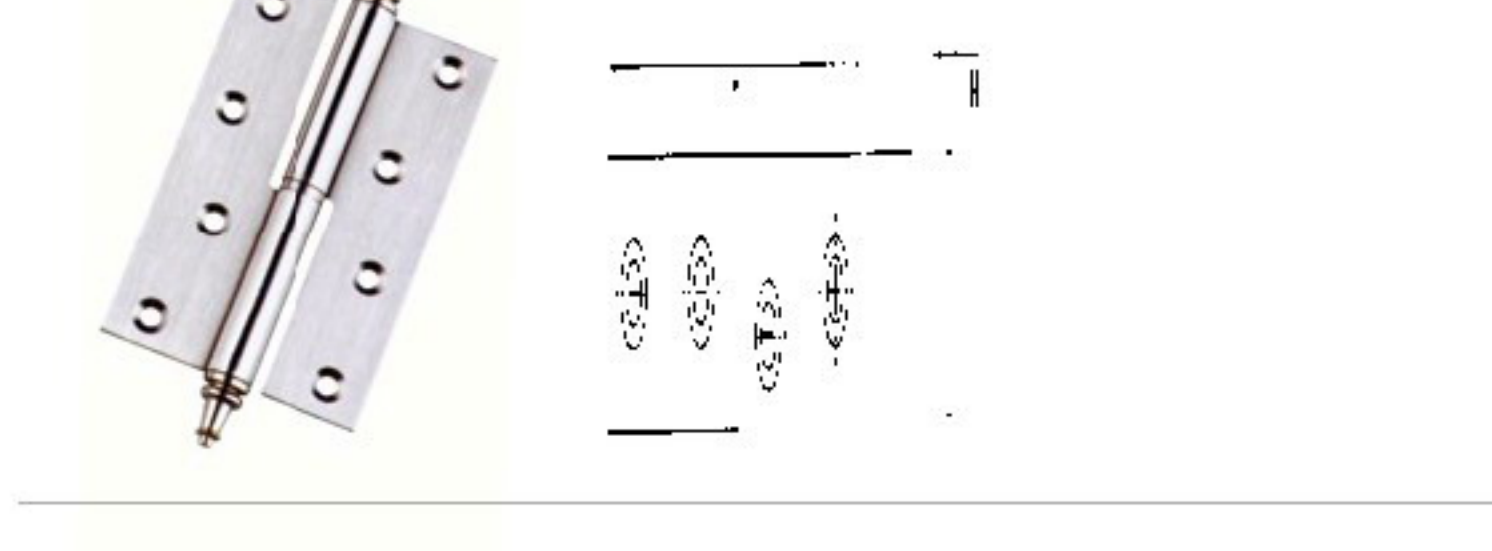
Mod.	SIZES mm.			
	L	W	H	W1
L80601	80	60	2.0	23.5
L90601	90	60	2.5	22.5
L90651	90	65	2.5	24
L90652	90	65	2.5	24.5
L90653	90	65	2.5	25
finish	stainless steel aisi 304			
STAINLESS STEEL AISI 304 ALL THE PIECE				



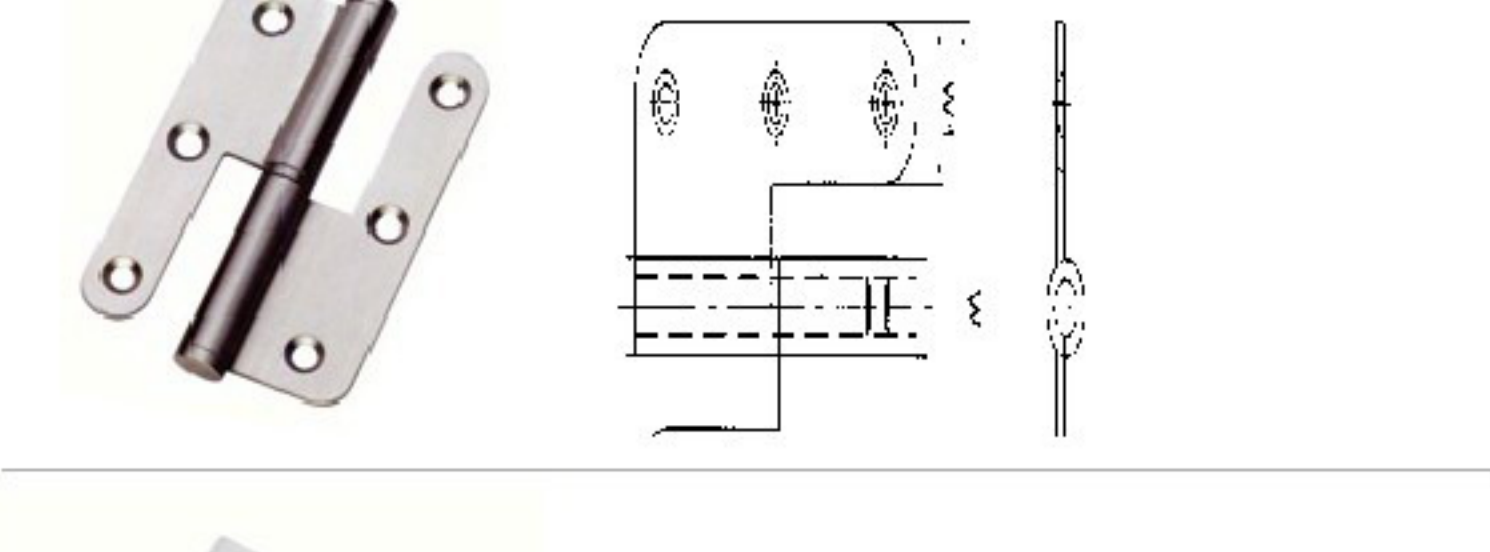
Mod.	SIZES mm.			
	L	W	H	W1
L76568	76	56	2.0	18
L76588	76	58	2.0	18
L76589	76	58	2.5	18
finish	stainless steel aisi 304			
STAINLESS STEEL AISI 304 ALL THE PIECE				



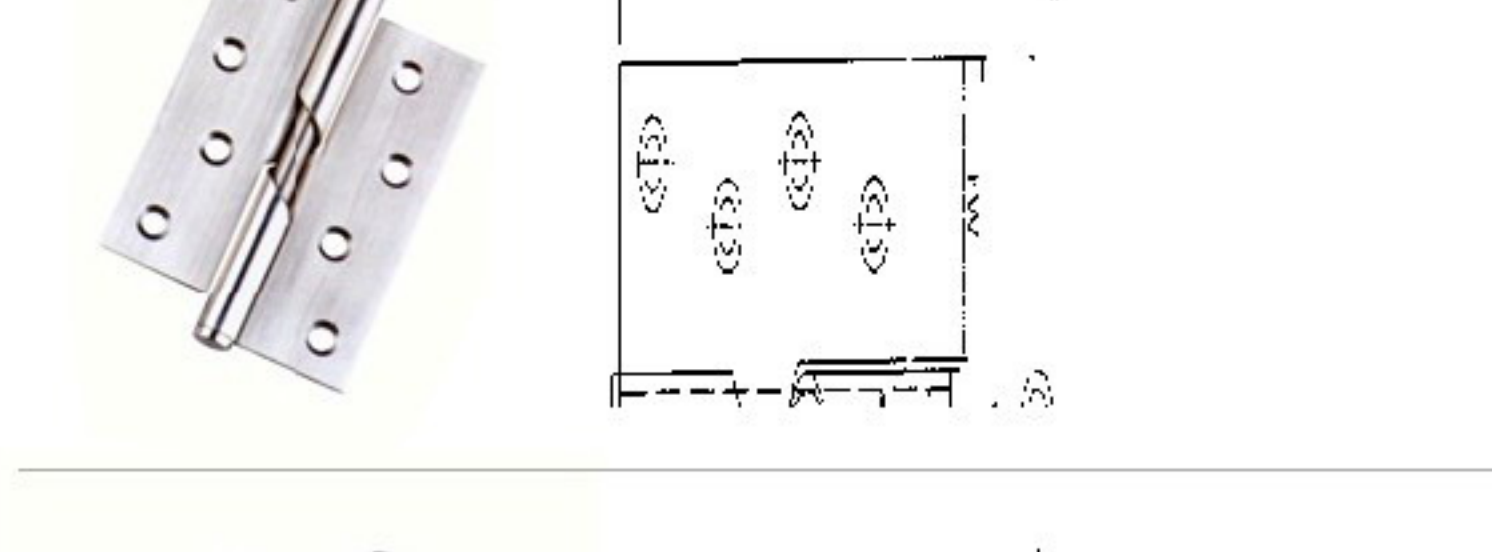
Mod.	SIZES mm.			
	L	W	H	W1
L90654	90	62	2.5	25
L90655	90	65	2.5	24
finish	stainless steel aisi 304			
STAINLESS STEEL AISI 304 ALL THE PIECE				



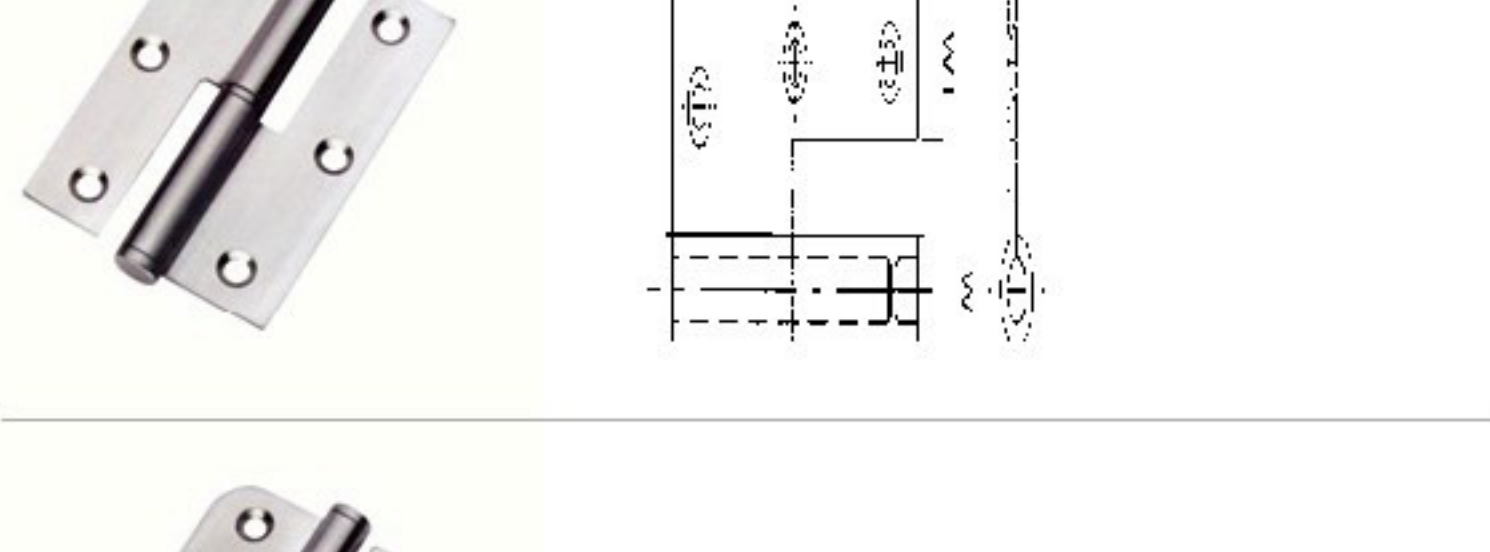
Mod.	SIZES mm.			
	L	W	H	W1
L10658	100	65	2.5	25
L10708	100	70	2.5	26.5
L10828	100	82	2.5	33
L12808	120	80	3.0	30
finish	stainless steel aisi 304			
STAINLESS STEEL AISI 304 ALL THE PIECE				



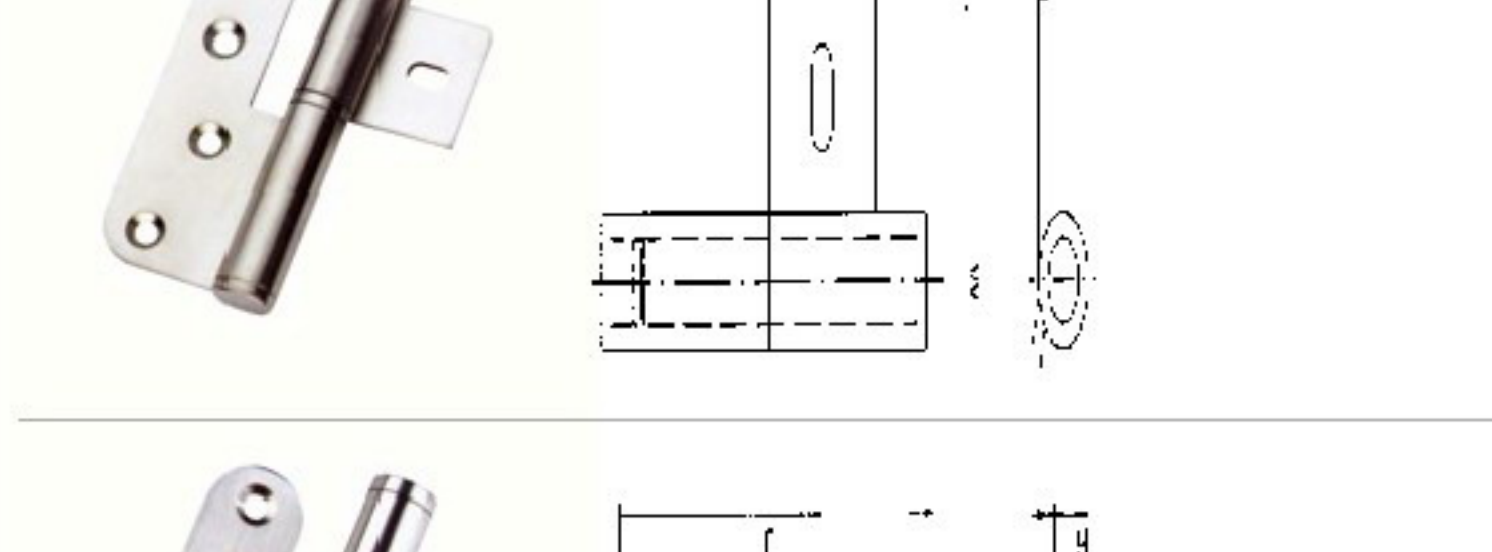
Mod.	SIZES mm.			
	L	W	H	W1
L90656	90	65	2.5	16.5
L90657	90	65	2.5	21.5
L90701	90	70	2.5	20
L10654	100	65	2.0	20
L10702	100	70	3.0	19.5
finish	stainless steel aisi 304			
STAINLESS STEEL AISI 304 ALL THE PIECE				



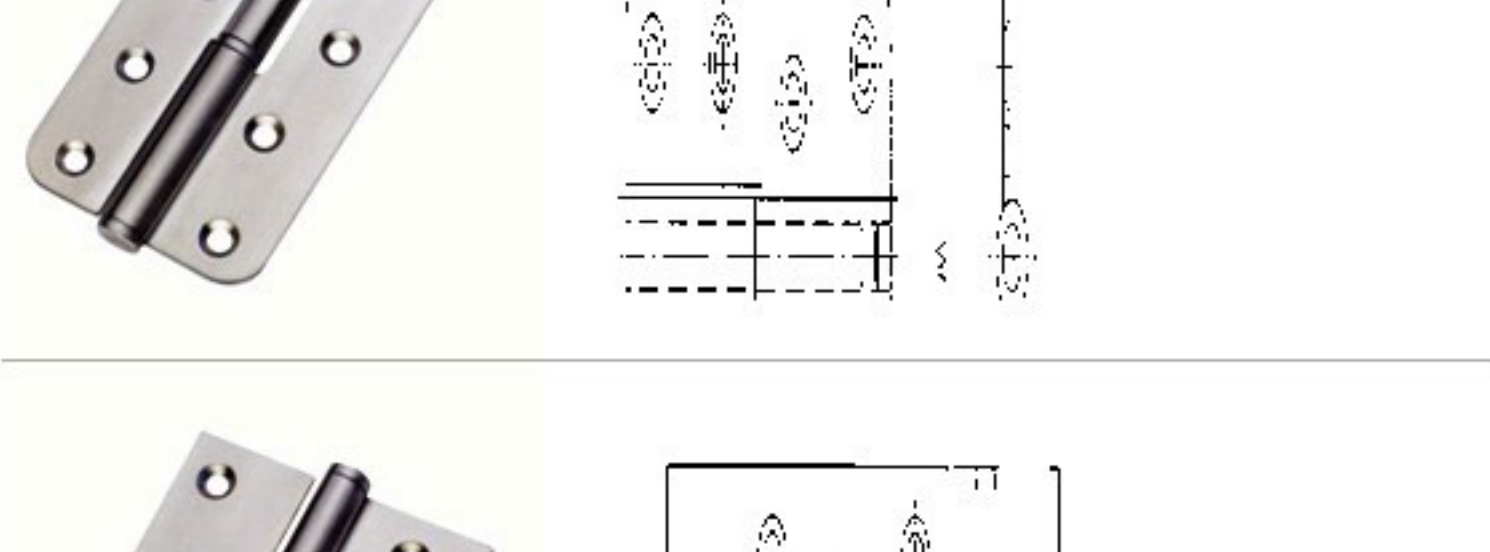
Mod.	SIZES mm.			
	L	W	H	W1
9111	76	76	2.0	31.5
9112	100	76	2.0	31.5
9113	100	86	3.0	25
finish	stainless steel aisi 304			
STAINLESS STEEL AISI 304 ALL THE PIECE				



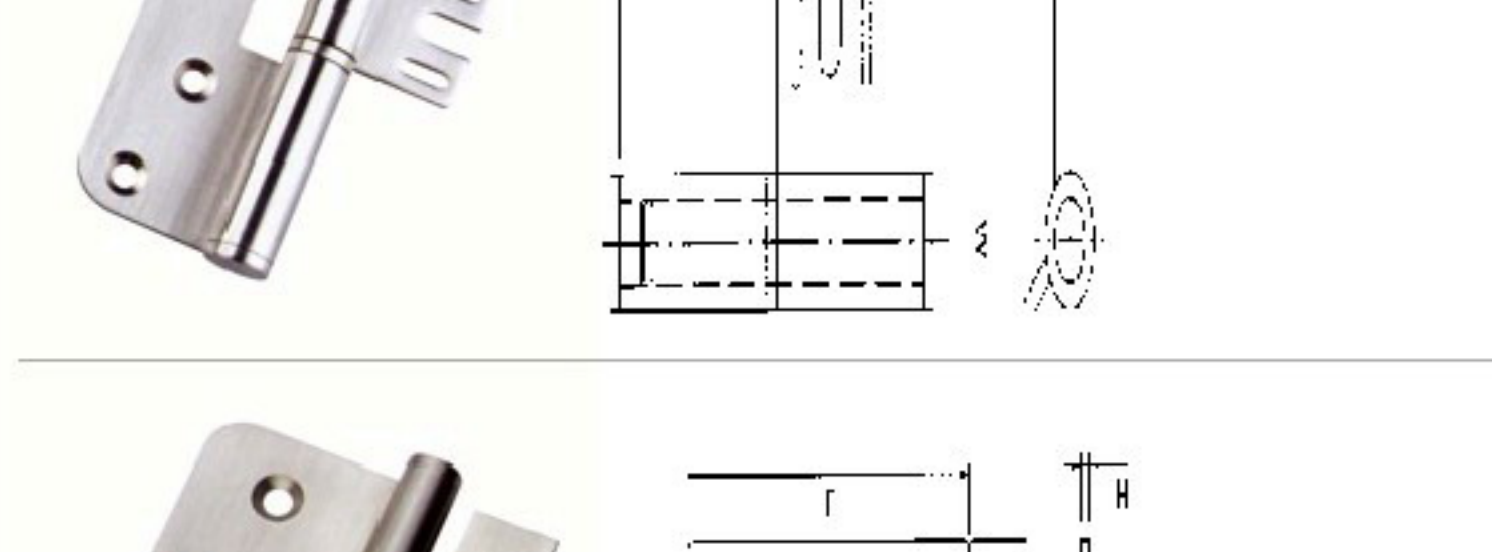
Mod.	SIZES mm.			
	L	W	H	W1
L75751	75	75	2.5	20
L76586	76	58	2.0	18
L90658	90	65	2.5	21.5
L90751	90	75	2.5	20
L90659	90	65	2.5	16.5
finish	stainless steel aisi 304			
STAINLESS STEEL AISI 304 ALL THE PIECE				



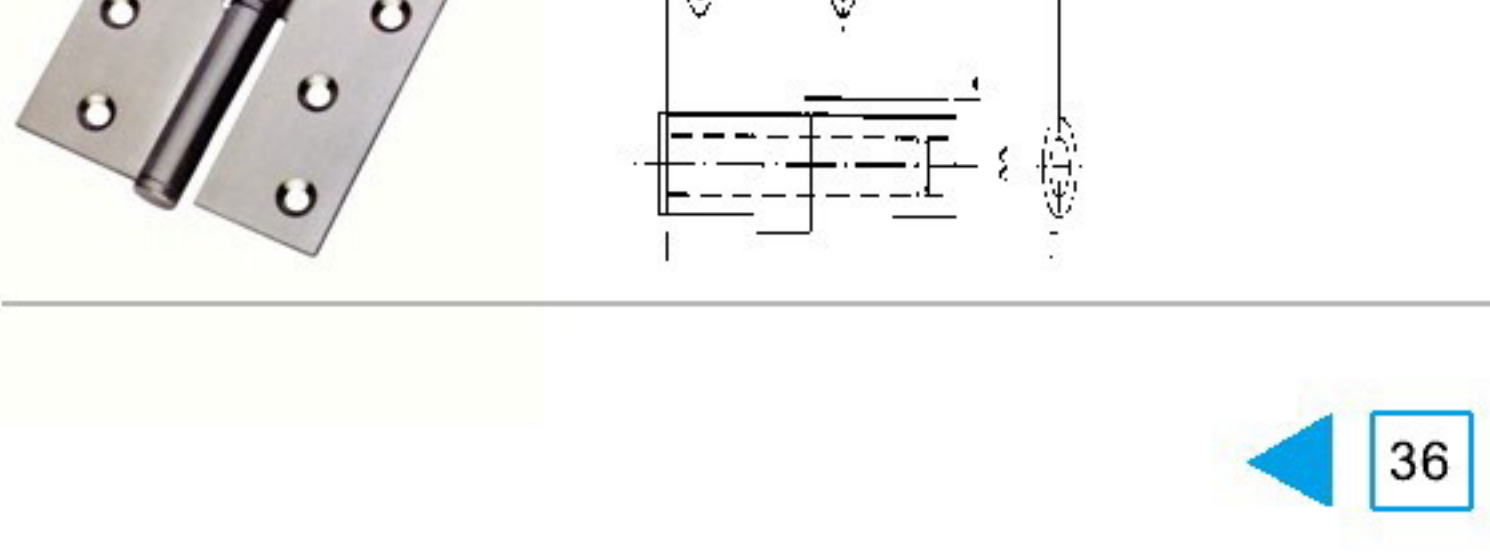
Mod.	SIZES mm.			
	L	W	H	W1
10781	100	78	3.0	25
finish	stainless steel aisi 304			
STAINLESS STEEL AISI 304 ALL THE PIECE				



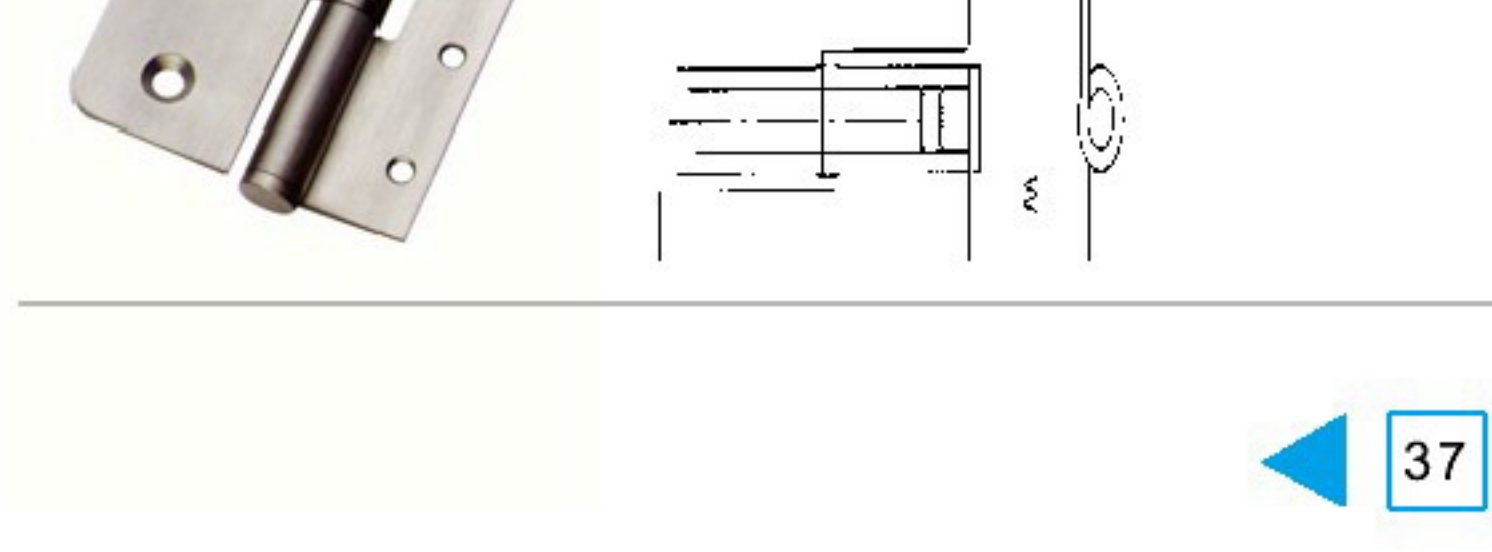
Mod.	SIZES mm.			
	L	W	H	W1
L10652	100	65	2.5	25
L12802	120	80	3.0	30
L14802	140	80	3.0	31
finish	stainless steel aisi 304			
STAINLESS STEEL AISI 304 ALL THE PIECE				



Mod.	SIZES mm.			
	L	W	H	W1
10771	100	77	3.0	25
finish	stainless steel aisi 304			
STAINLESS STEEL AISI 304 ALL THE PIECE				

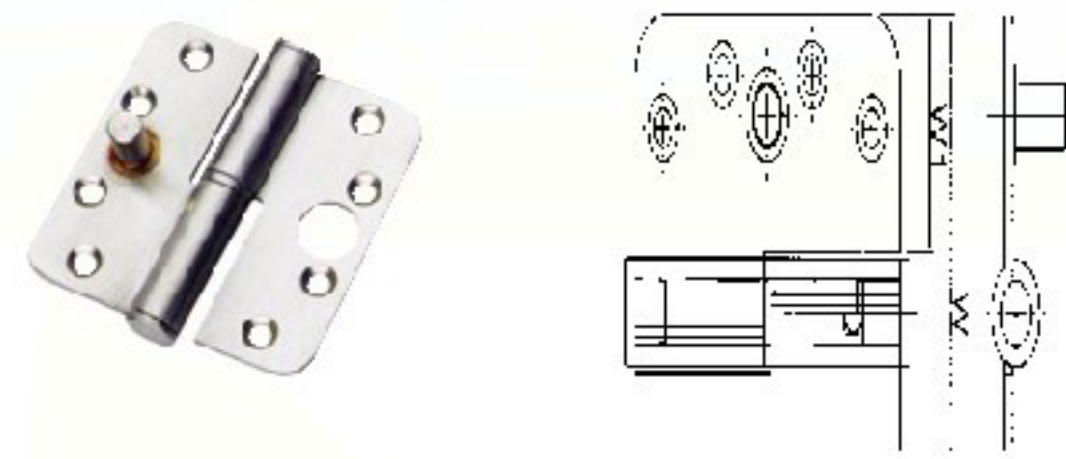


Mod.	SIZES mm.			
	L	W	H	W1
L10821	100	82	2.5	33
finish	stainless steel aisi 304			
STAINLESS STEEL AISI 304 ALL THE PIECE				

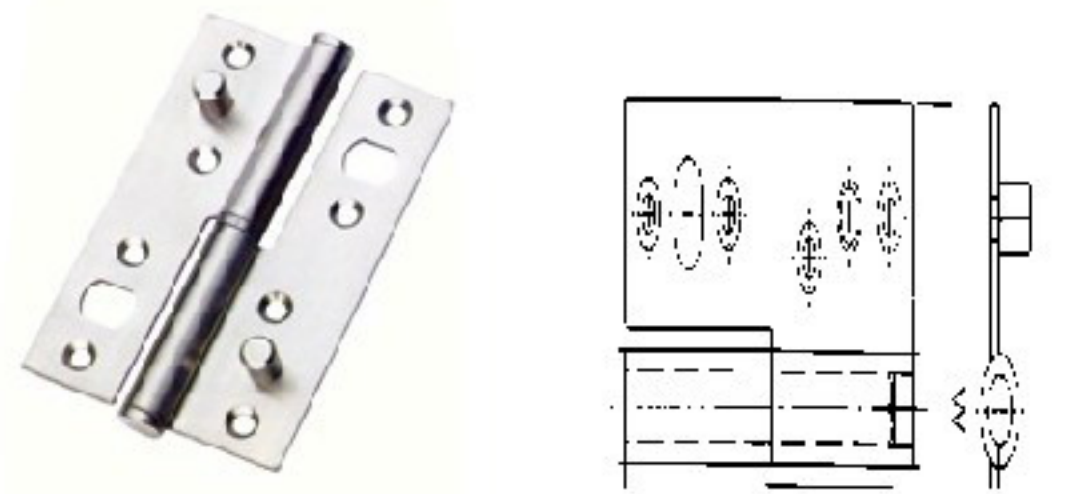


Mod.	SIZES mm.			
	L	W	H	W1
76721	76	72	2.5	35
76681	76	68.5	2.5	35
finish	stainless steel aisi 304			
STAINLESS STEEL AISI 304 ALL THE PIECE				

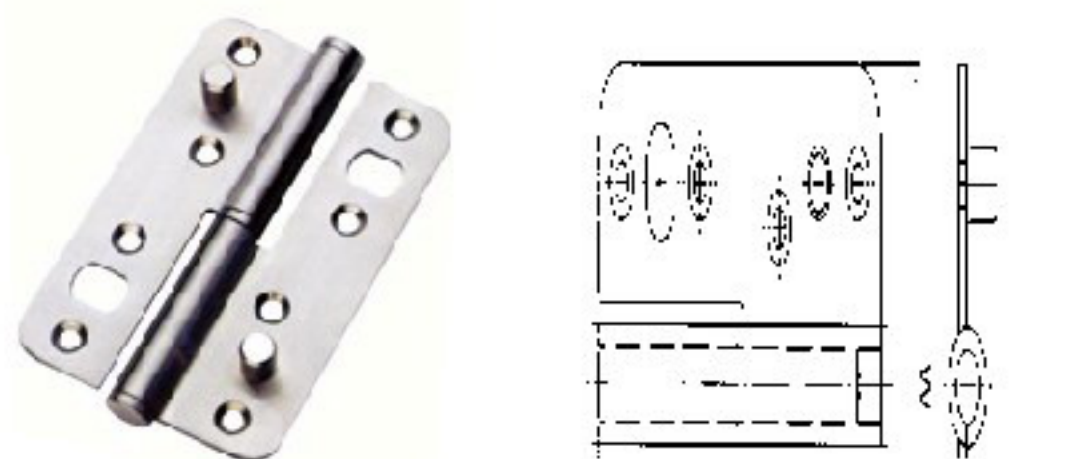
保险铰系列 SS Safety hinge series



Mod.	SIZES mm.			
	L	W	H	W1
B89893	89	89	3.0	33.5
B90903	90	90	3.0	33.5
finish	stainless steel aisi 304			
STAINLESS STEEL AISI 304 ALL THE PIECE				

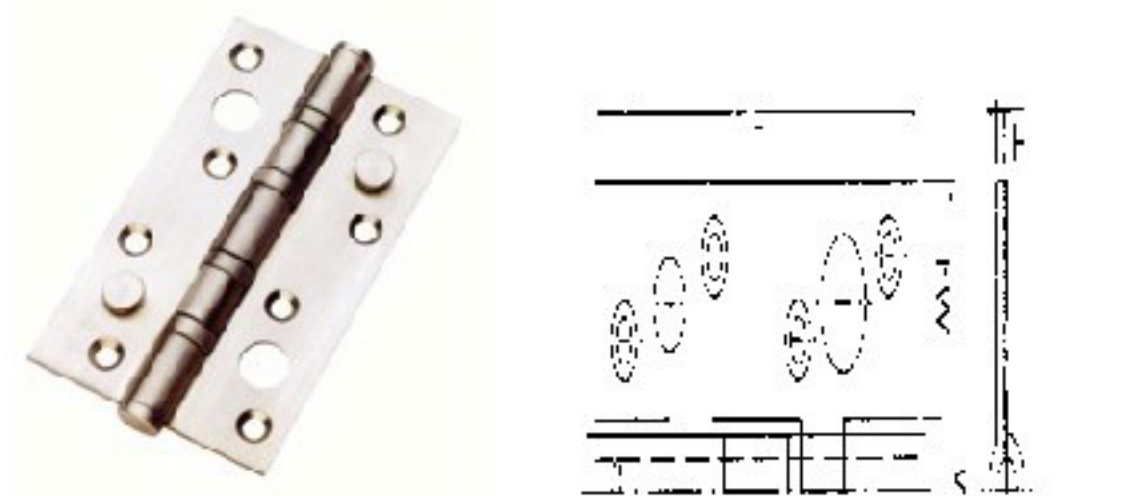


Mod.	SIZES mm.			
	L	W	H	W1
B12803	120	80	3.0	30
B12863	120	86	3.0	32
B14803	140	80	3.0	31
finish	stainless steel aisi 304			
STAINLESS STEEL AISI 304 ALL THE PIECE				

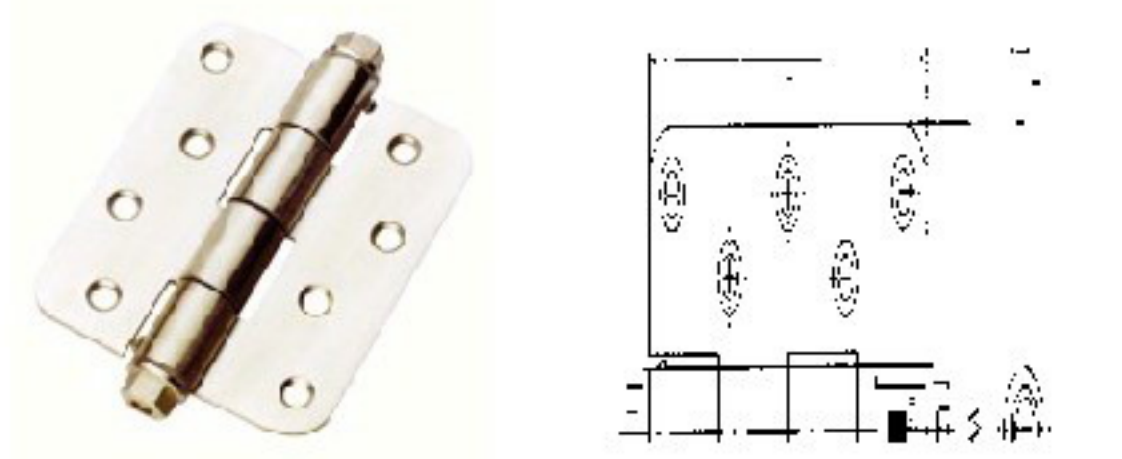


Mod.	SIZES mm.			
	L	W	H	W1
B12804	120	80	3.0	30
B12864	120	86	3.0	32
B14804	140	80	3.0	31
finish	stainless steel aisi 304			
STAINLESS STEEL AISI 304 ALL THE PIECE				

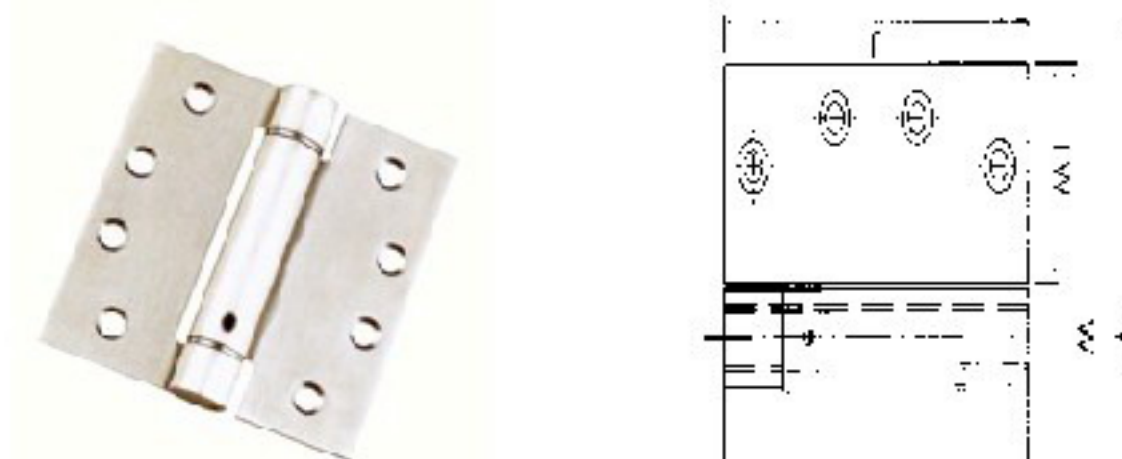
弹簧铰系列 SS Spring hinge series



Mod.	SIZES mm.			
	L	W	H	W1
B12763	127	76	2.5	31
B12783	127	78	3.0	30
finish	stainless steel aisi 304			
STAINLESS STEEL AISI 304 ALL THE PIECE				

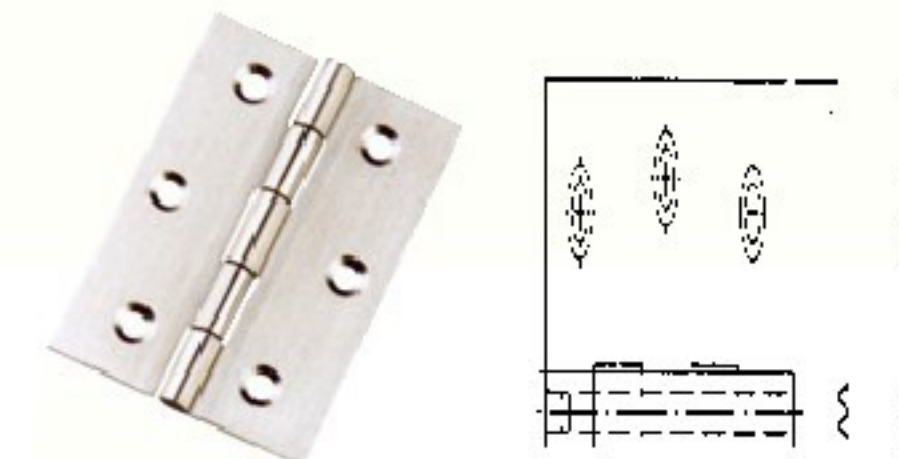


Mod.	SIZES mm.			
	L	W	H	W1
T10863	100	86	3.0	32
T12863	120	86	3.0	32
finish	stainless steel aisi 304			
STAINLESS STEEL AISI 304 ALL THE PIECE				

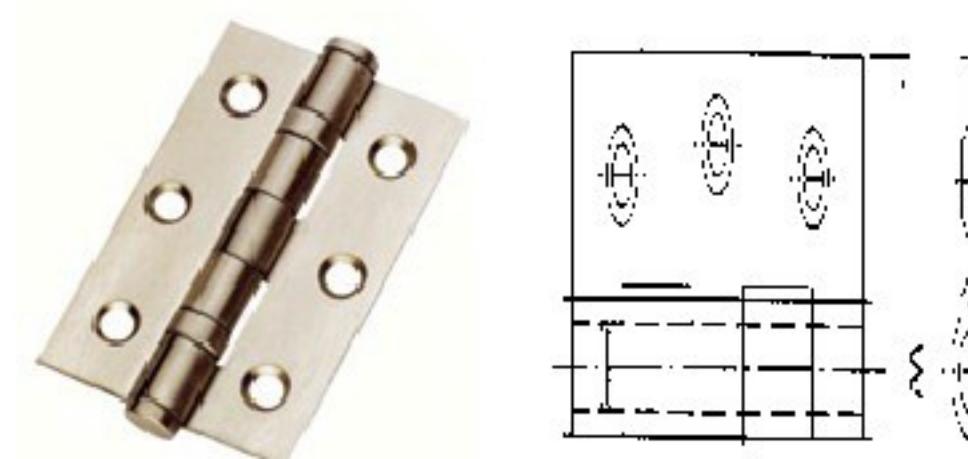


Mod.	SIZES mm.			
	L	W	H	W1
T10763	100	76	3.0	
T10893	100	89	3.0	
T10103	100	100	3.0	
finish	stainless steel aisi 304			
STAINLESS STEEL AISI 304 ALL THE PIECE				

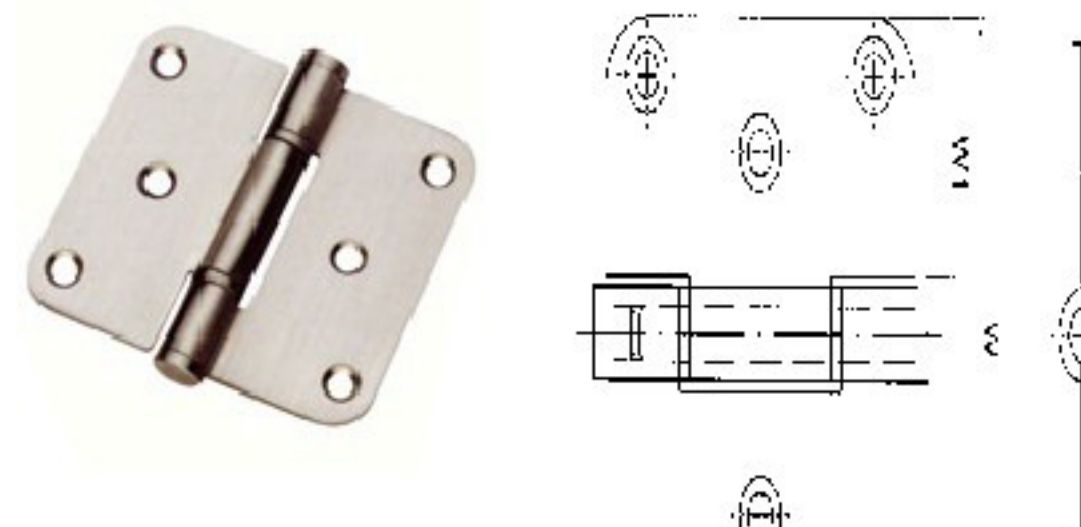
轴承铰系列 SS ball bearing hinge series



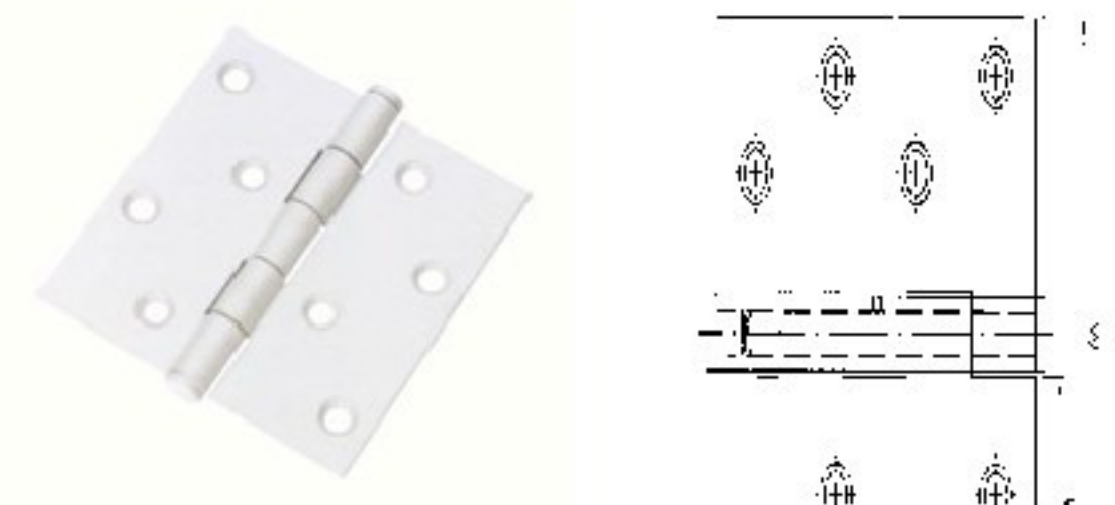
Mod.	SIZES mm.			
	L	W	H	W1
50402	50	40	1.5	16.5
60402	60	40	1.5	16.5
70502	70	50	1.5	21.5
finish	stainless steel aisi 304			
STAINLESS STEEL AISI 304 ALL THE PIECE				



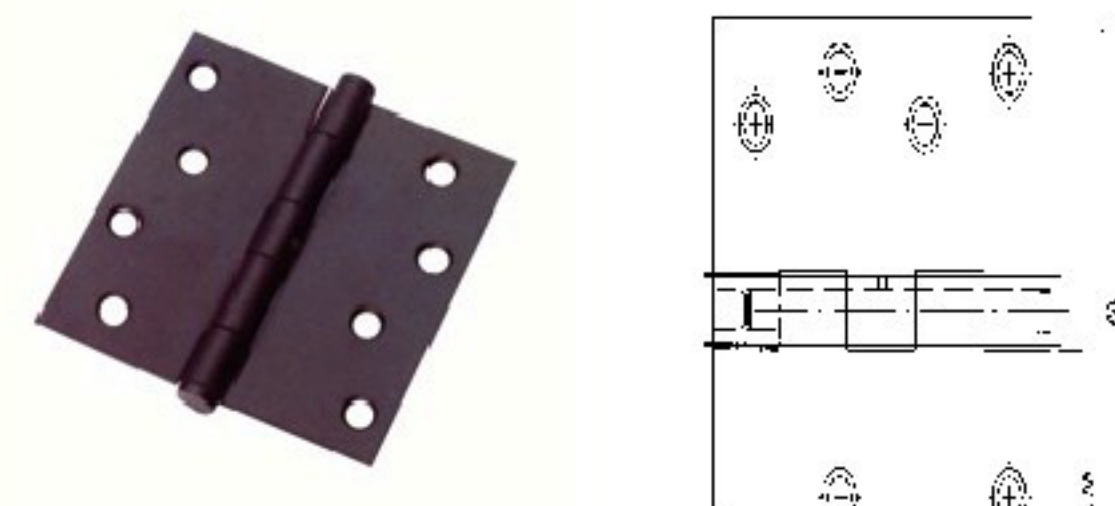
Mod.	SIZES mm.			
	L	W	H	W1
76641	76	64	2.0	
80602	80	60	2.0	
finish	stainless steel aisi 304			
STAINLESS STEEL AISI 304 ALL THE PIECE				



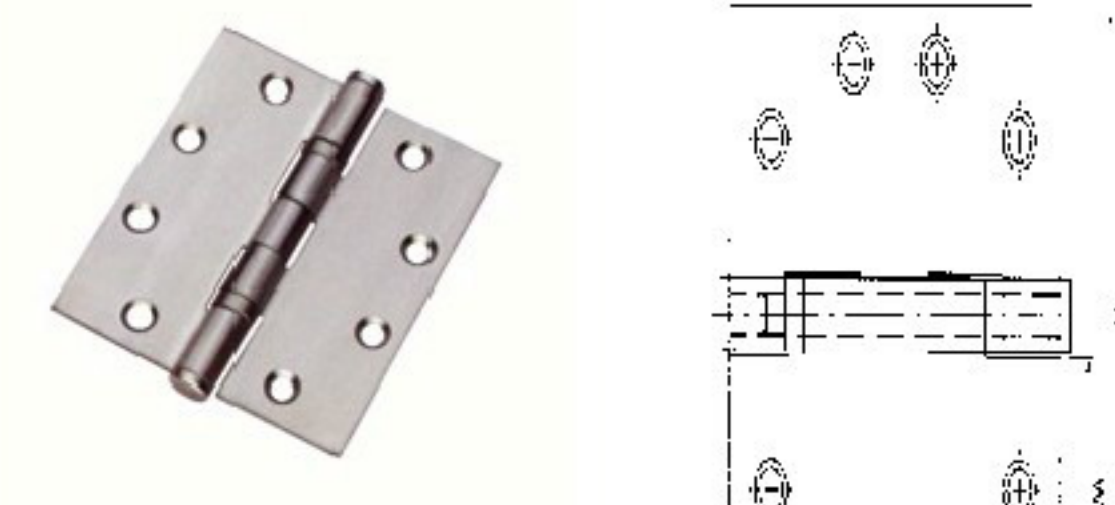
Mod.	SIZES mm.			
	L	W	H	W1
75752	75	75	2.5	30
75822	75	82	2.5	33.5
finish	stainless steel aisi 304			
STAINLESS STEEL AISI 304 ALL THE PIECE				



Mod.	SIZES mm.			
	L	W	H	W1
10104	101	101	2.5	44
finish	stainless steel aisi 304			
STAINLESS STEEL AISI 304 ALL THE PIECE				



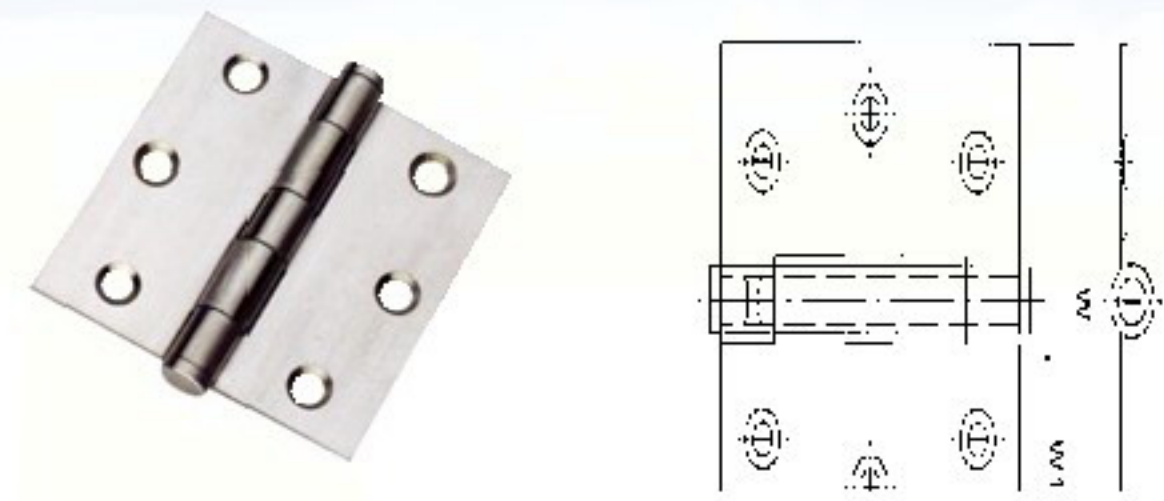
Mod.	SIZES mm.			
	L	W	H	W1
10105	101	101	2.5	44
finish	stainless steel aisi 304			
STAINLESS STEEL AISI 304 ALL THE PIECE				



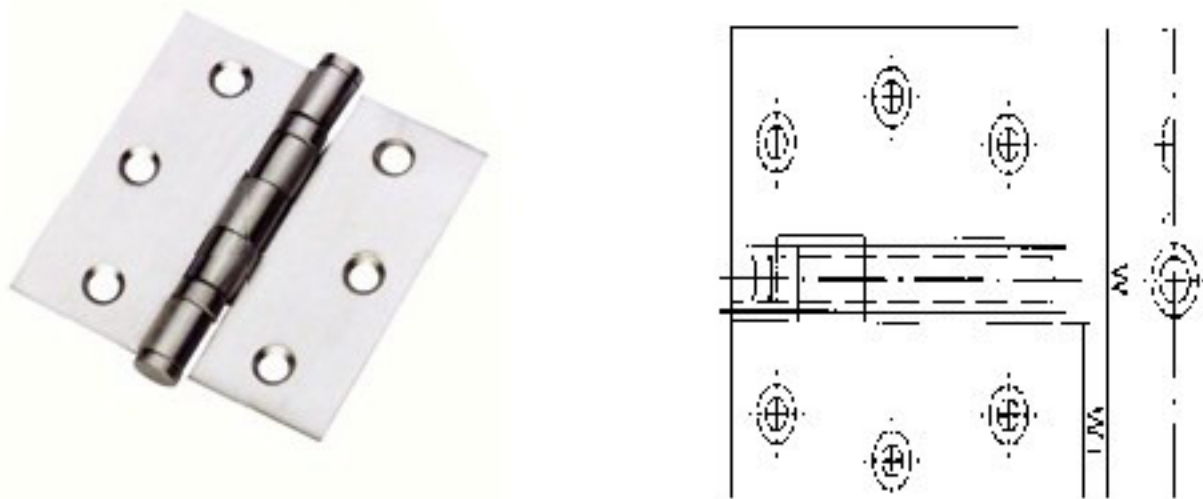
Mod.	SIZES mm.			
	L	W	H	W1
89761	89	76	2.5	31
10761	100	76	2.0	32
10762	100	76	2.5	31
10763	100	76	3.0	30
10891	100	89	3.0	36.5
11510	115	101	3.0	42
12710	127	101	3.0	42
finish	stainless steel aisi 304			
STAINLESS STEEL AISI 304 ALL THE PIECE				

轴承铰系列 SS ball bearing hinge series

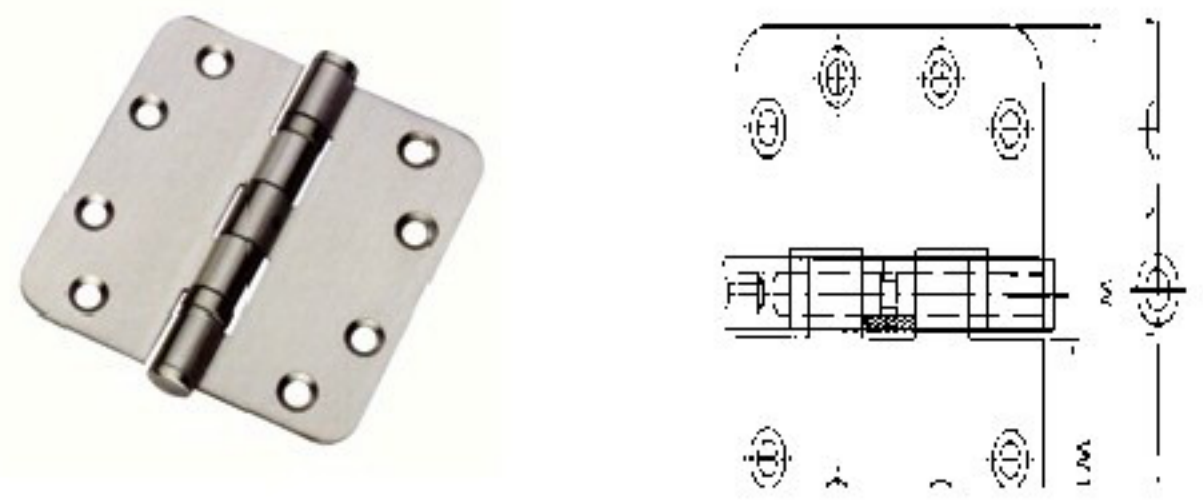
轴承铰系列 SS ball bearing hinge series



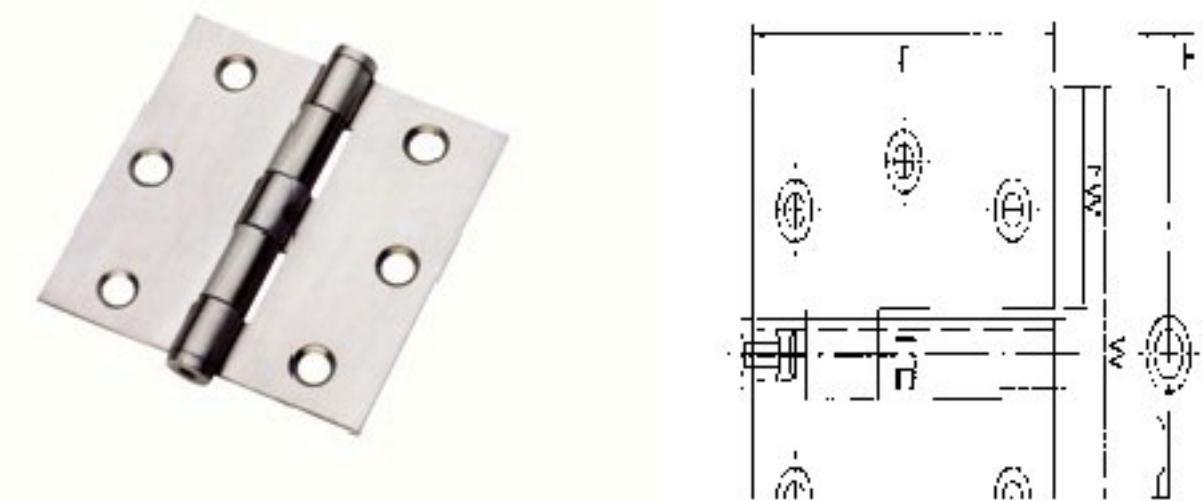
Mod.	SIZES mm.			
	L	W	H	W1
64641	64	64	2.0	25
76761	76	76	2.0	31.5
89891	89	89	2.5	37
10101	101	101	3.0	42
finish	stainless steel aisi 304			
STAINLESS STEEL AISI 304 ALL THE PIECE				



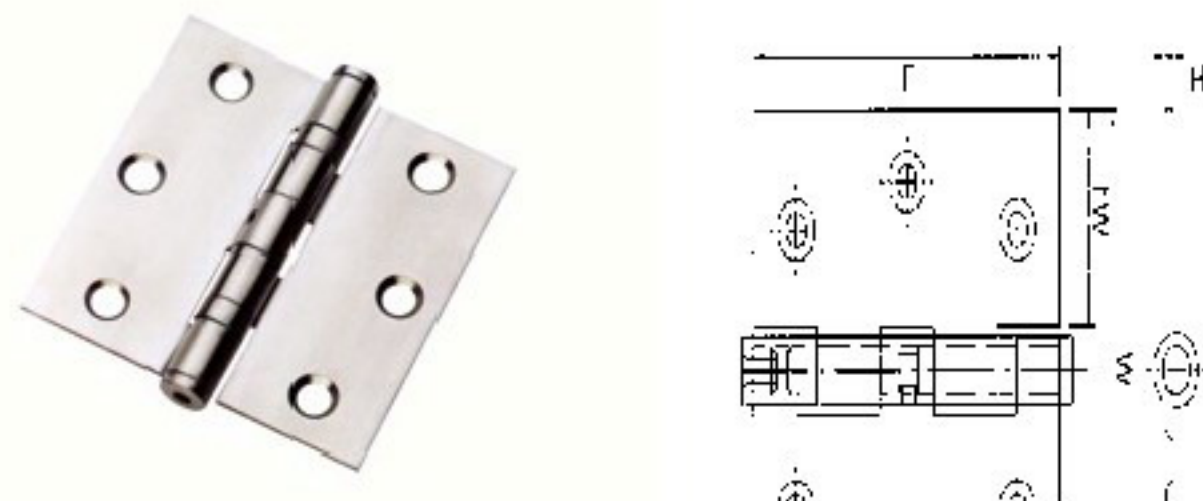
Mod.	SIZES mm.			
	L	W	H	W1
64642	64	64	2.0	25
76762	76	76	2.0	31.5
89892	89	89	2.5	37
10102	101	101	3.0	42
finish	stainless steel aisi 304			
STAINLESS STEEL AISI 304 ALL THE PIECE				



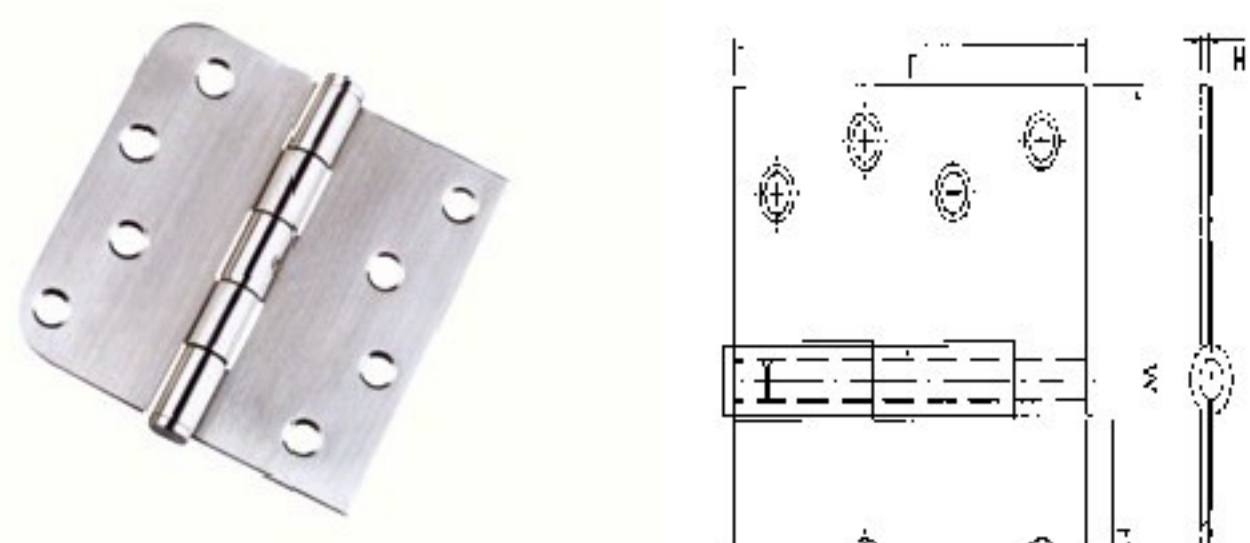
Mod.	SIZES mm.			
	L	W	H	W1
M75752	75	75	2.5	30
M89892	89	89	2.5	37
finish	stainless steel aisi 304			
STAINLESS STEEL AISI 304 ALL THE PIECE				



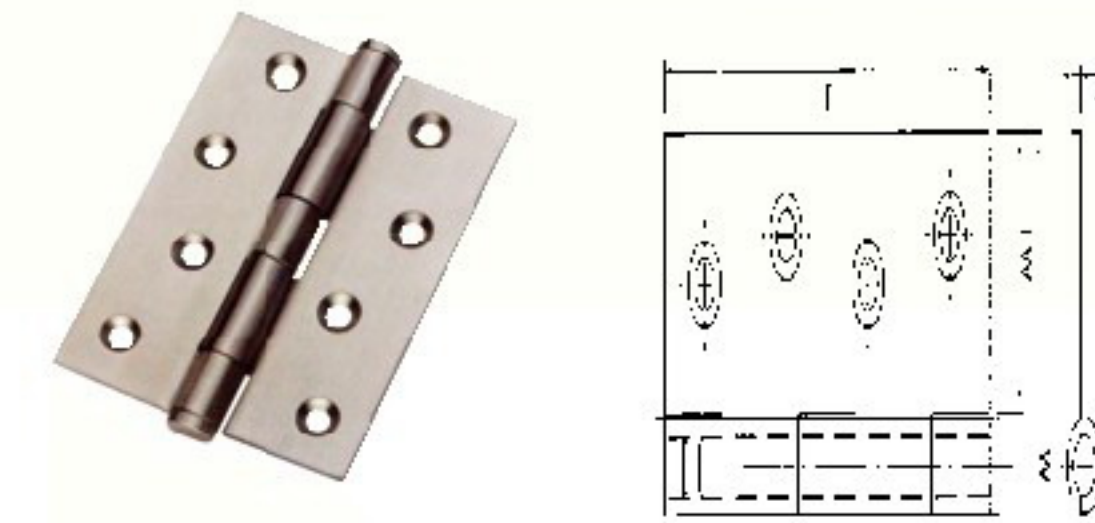
Mod.	SIZES mm.			
	L	W	H	W1
M64641	64	64	2.0	25
M76761	76	76	2.0	31.5
M89891	89	89	2.5	37
M10101	101	101	3.0	42
finish	stainless steel aisi 304			
STAINLESS STEEL AISI 304 ALL THE PIECE				



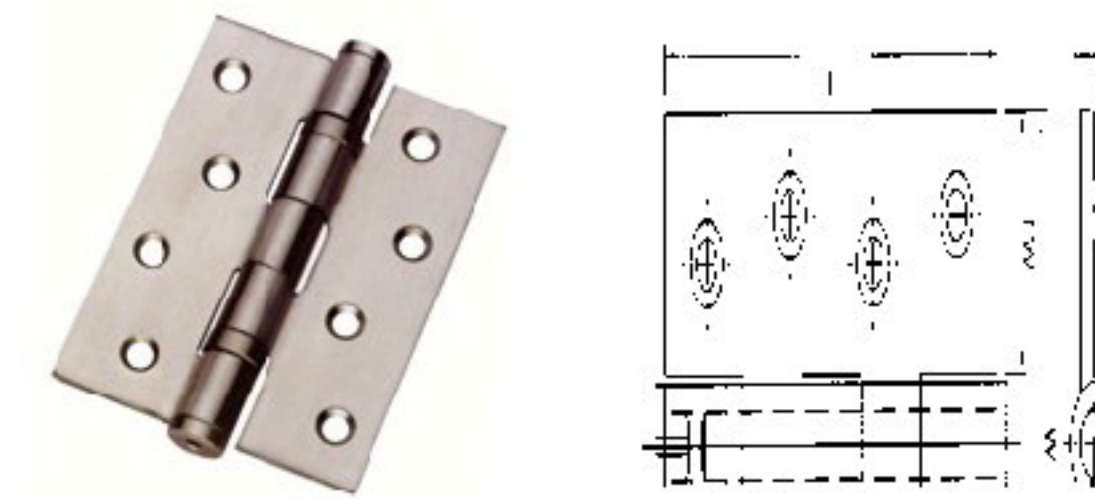
Mod.	SIZES mm.			
	L	W	H	W1
M64642	64	64	2.0	25
M76762	76	76	2.0	31.5
M89892	89	89	2.5	37
M10101	101	101	3.0	42
finish	stainless steel aisi 304			
STAINLESS STEEL AISI 304 ALL THE PIECE				



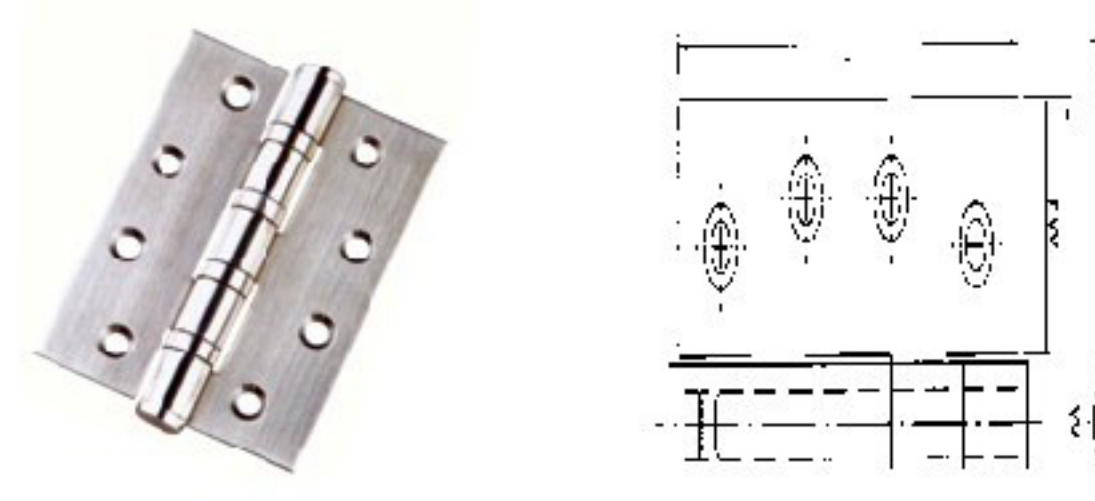
Mod.	SIZES mm.			
	L	W	H	W1
M10106	101	101	2.5	44
finish	stainless steel aisi 304			
STAINLESS STEEL AISI 304 ALL THE PIECE				



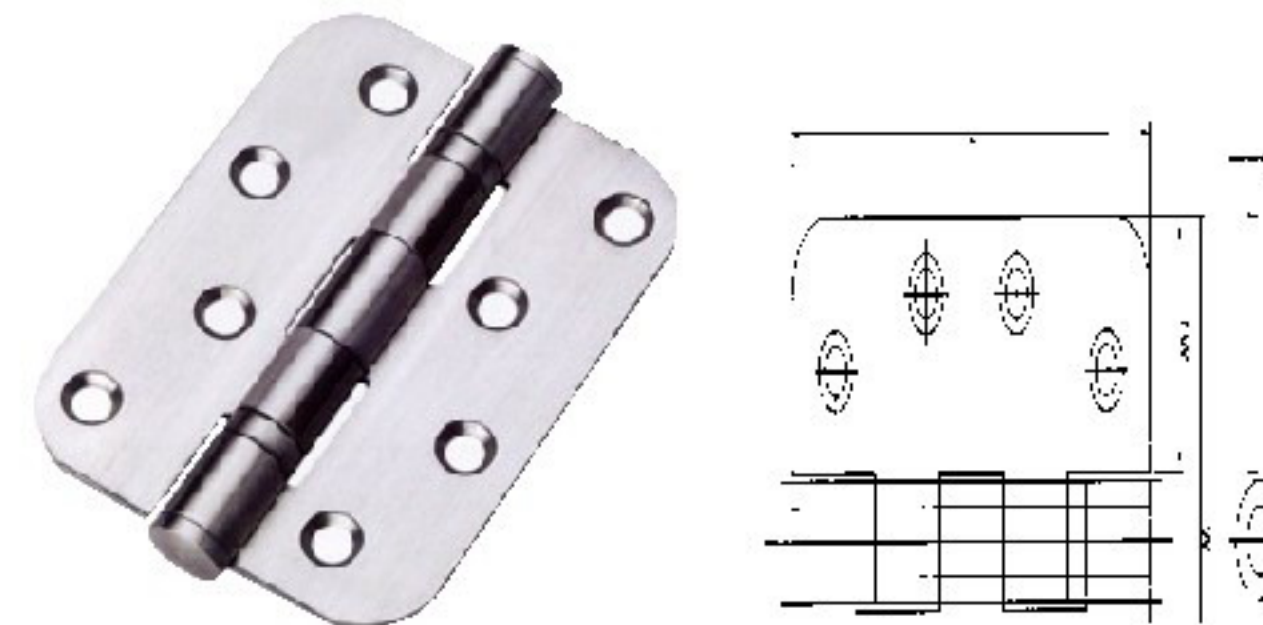
Mod.	SIZES mm.			
	L	W	H	W1
89762	89	76	2.5	31
10765	100	76	2.0	31.5
10766	100	76	2.5	31
10767	100	76	3.0	30
10892	100	89	3.0	36.5
10107	110	101	3.0	42
finish	stainless steel aisi 304			
STAINLESS STEEL AISI 304 ALL THE PIECE				



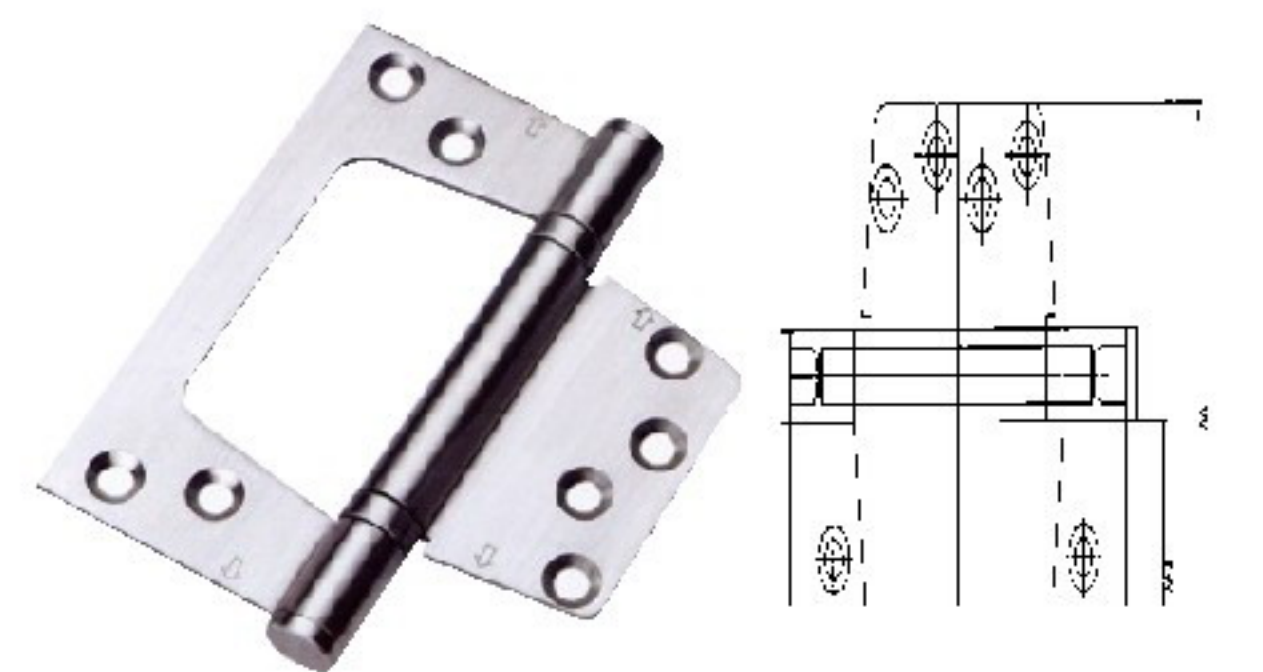
Mod.	SIZES mm.			
	L	W	H	W1
89763	89	76	2.5	31
10768	100	76	2.0	31.5
10769	100	76	2.5	31
10760	100	76	3.0	30
10893	100	89	3.0	36.5
10105	110	101	3.0	42
finish	stainless steel aisi 304			
STAINLESS STEEL AISI 304 ALL THE PIECE				



Mod.	SIZES mm.			
	L	W	H	W1
10764	101	76	2.5	31
10892	101	89	3.0	36.5
127761	127	76	2.5	31
127762	127	76	3.0	30
127891	127	89	3.0	36.5
finish	stainless steel aisi 304			
STAINLESS STEEL AISI 304 ALL THE PIECE				



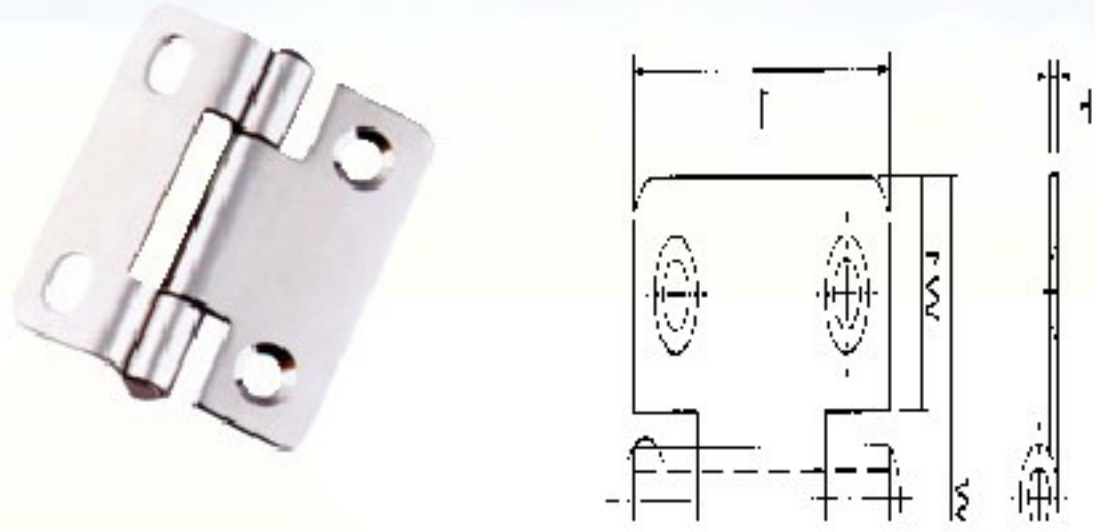
Mod.	SIZES mm.			
	L	W	H	W1
107611	101	76	2.5	31
107612	101	76	3.0	30
finish	stainless steel aisi 304			
STAINLESS STEEL AISI 304 ALL THE PIECE				



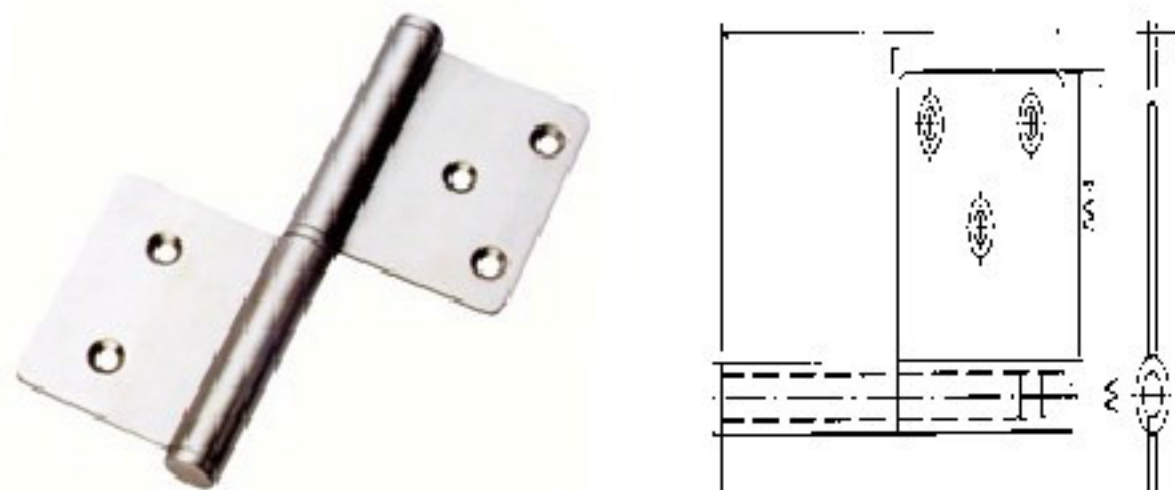
Mod.	SIZES mm.			
	L	W	H	W1
11590	115	90	2.5	45
finish	stainless steel aisi 304			
STAINLESS STEEL AISI 304 ALL THE PIECE				

旗铰系列 SS Flag hinge series

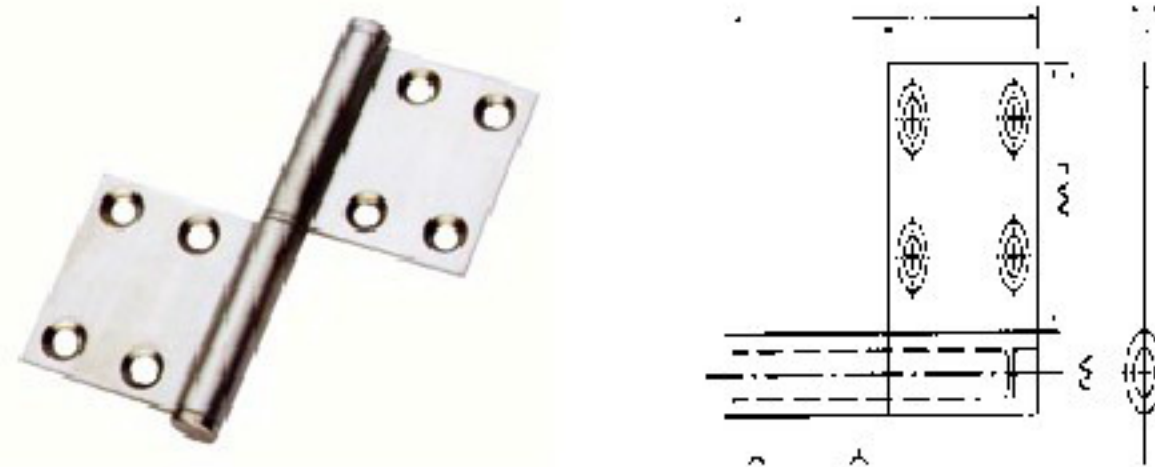
弹簧铰系列 SS Spring hinge series



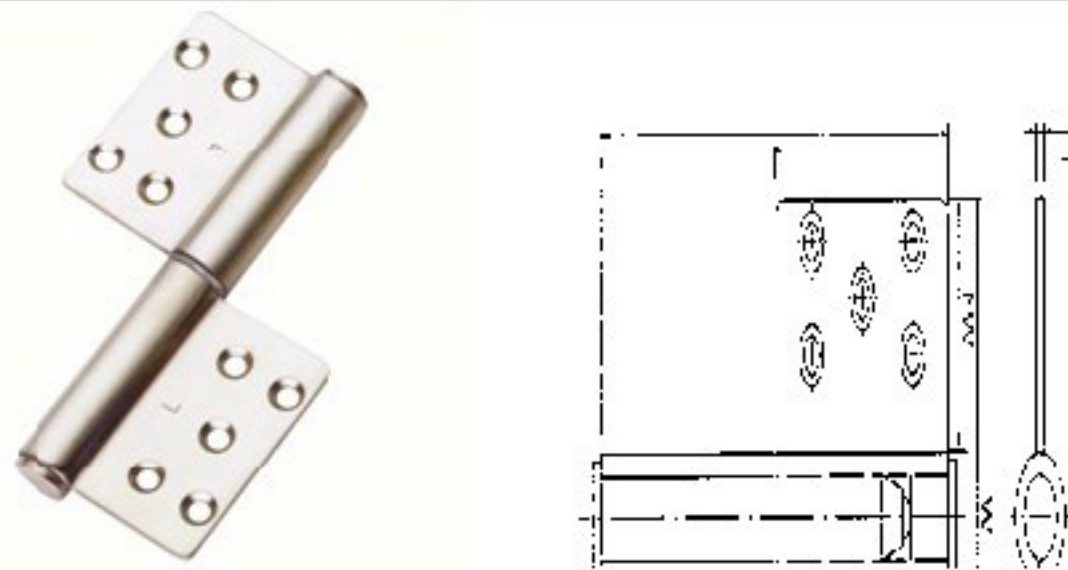
Mod.	SIZES mm.			
	L	W	H	W1
20001				
finish	stainless steel aisi 304			
STAINLESS STEEL AISI 304 ALL THE PIECE				



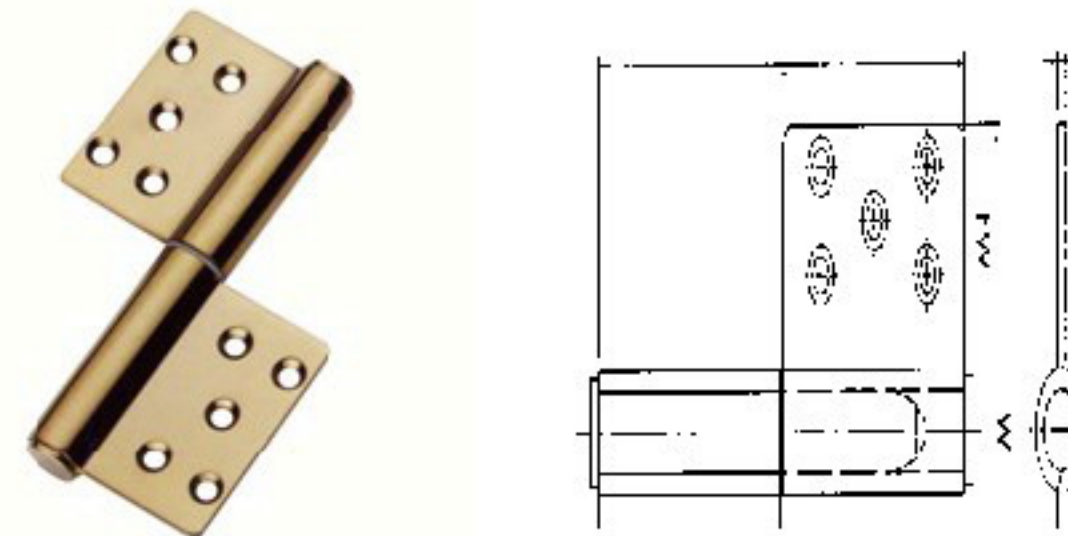
Mod.	SIZES mm.			
	L	W	H	W1
11294	112	94	2.5	40
finish	stainless steel aisi 304			
STAINLESS STEEL AISI 304 ALL THE PIECE				



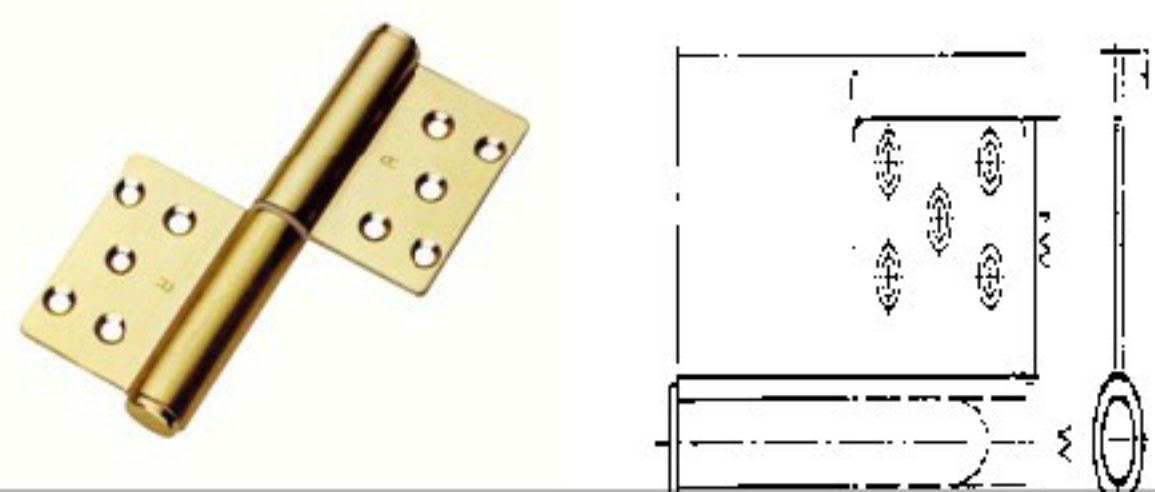
Mod.	SIZES mm.			
	L	W	H	W1
10742	100	74	2.0	
10743	102	89	2.5	
finish	stainless steel aisi 304			
STAINLESS STEEL AISI 304 ALL THE PIECE				



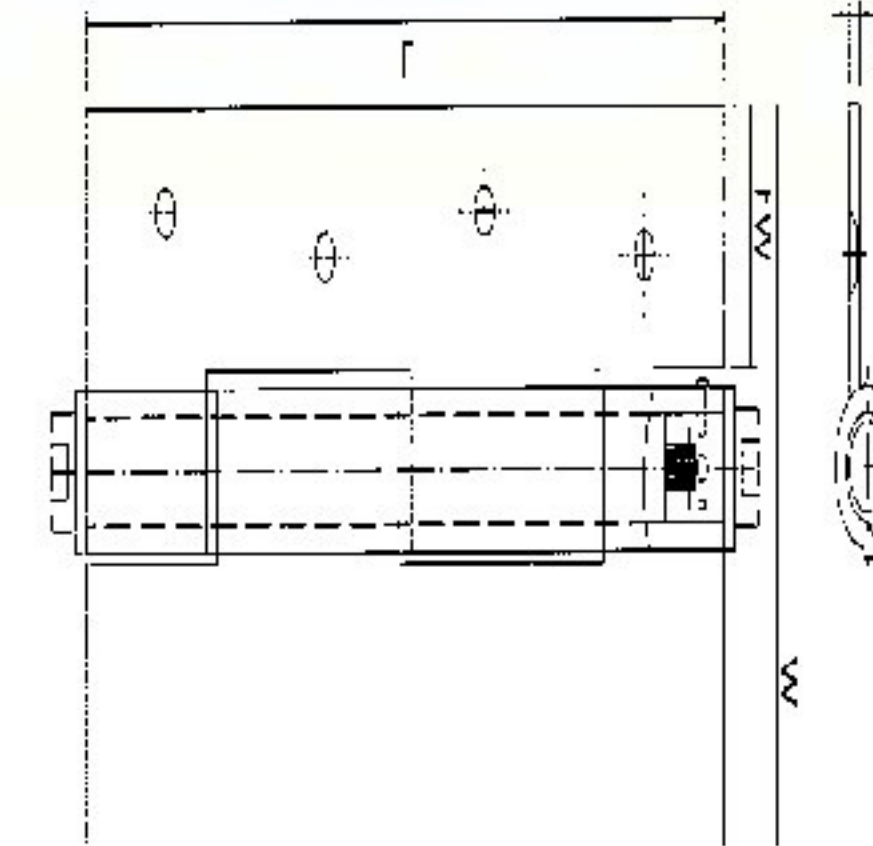
Mod.	SIZES mm.			
	L	W	H	W1
127901	127	90	3.0	36
finish	stainless steel aisi 304			
STAINLESS STEEL AISI 304 ALL THE PIECE				



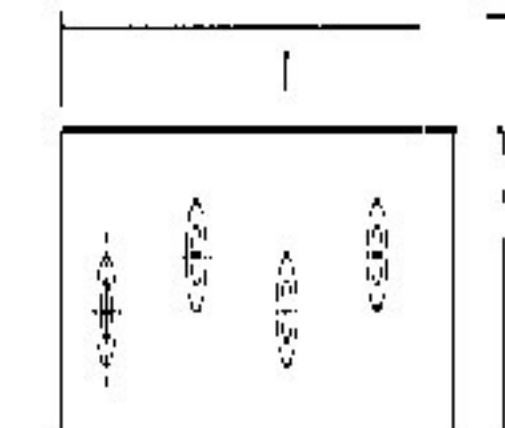
Mod.	SIZES mm.			
	L	W	H	W1
127902	127	90	3.0	36
finish	stainless steel aisi 304			
STAINLESS STEEL AISI 304 ALL THE PIECE				



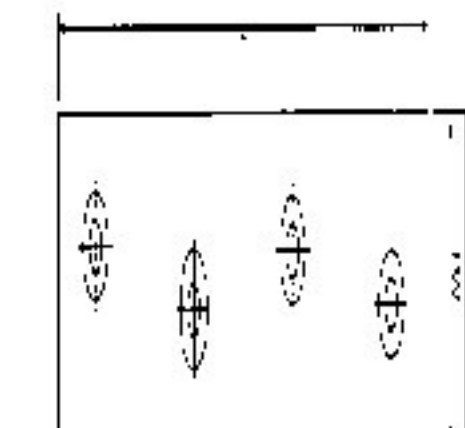
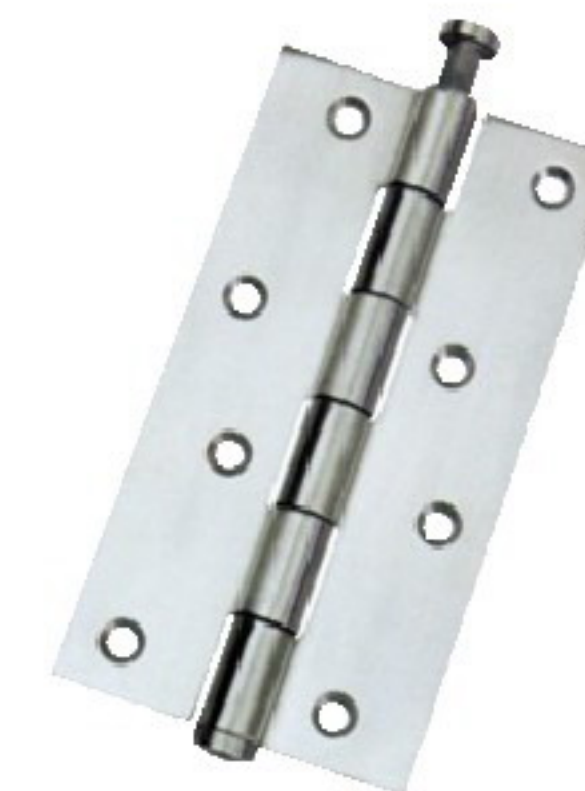
Mod.	SIZES mm.			
	L	W	H	W1
127903	127	90	3.0	36
finish	stainless steel aisi 304			
STAINLESS STEEL AISI 304 ALL THE PIECE				



Mod.	SIZES mm.			
	L	W	H	W1
T18133	180	133.5	3.0	29
finish	stainless steel aisi 304			
STAINLESS STEEL AISI 304 ALL THE PIECE				



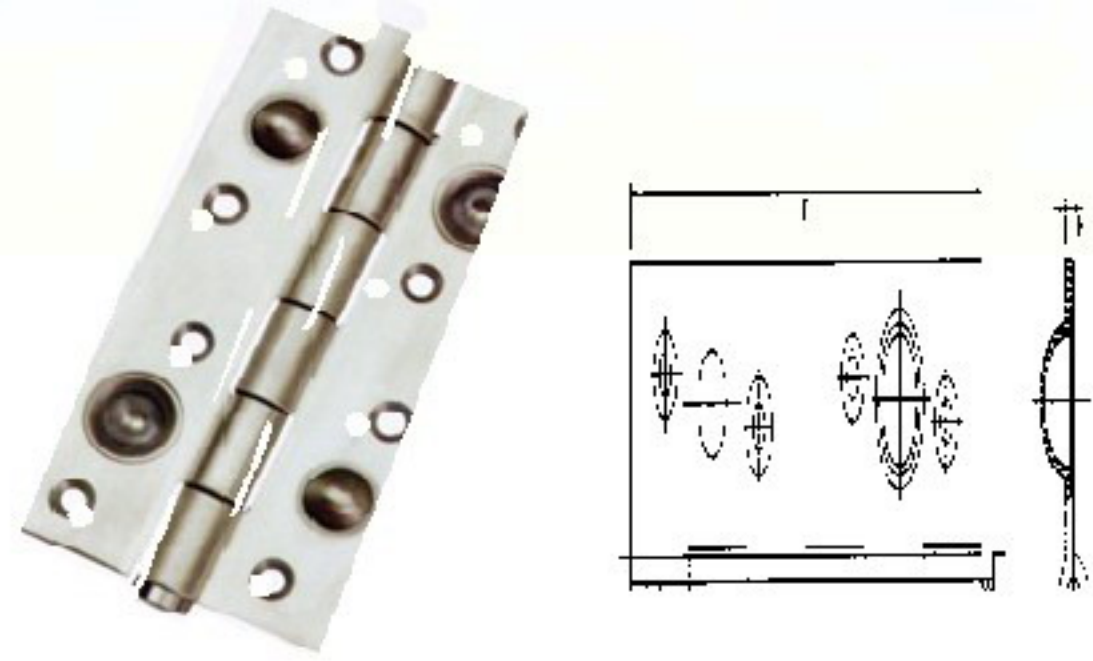
Mod.	SIZES mm.			
	L	W	H	W1
T18801	180	80	3.0	29
finish	stainless steel aisi 304			
STAINLESS STEEL AISI 304 ALL THE PIECE				



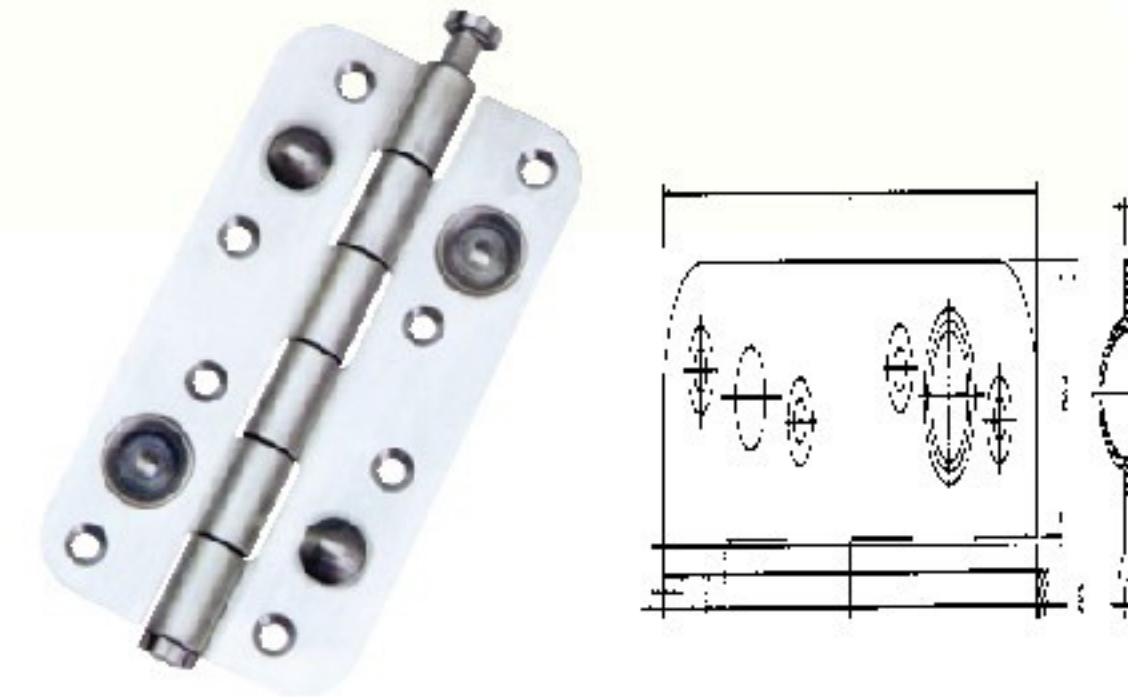
Mod.	SIZES mm.			
	L	W	H	W1
B1500	150	80	3.0	32
finish	stainless steel aisi 304			
STAINLESS STEEL AISI 304 ALL THE PIECE				

保险铰系列 SS Safety hinge series

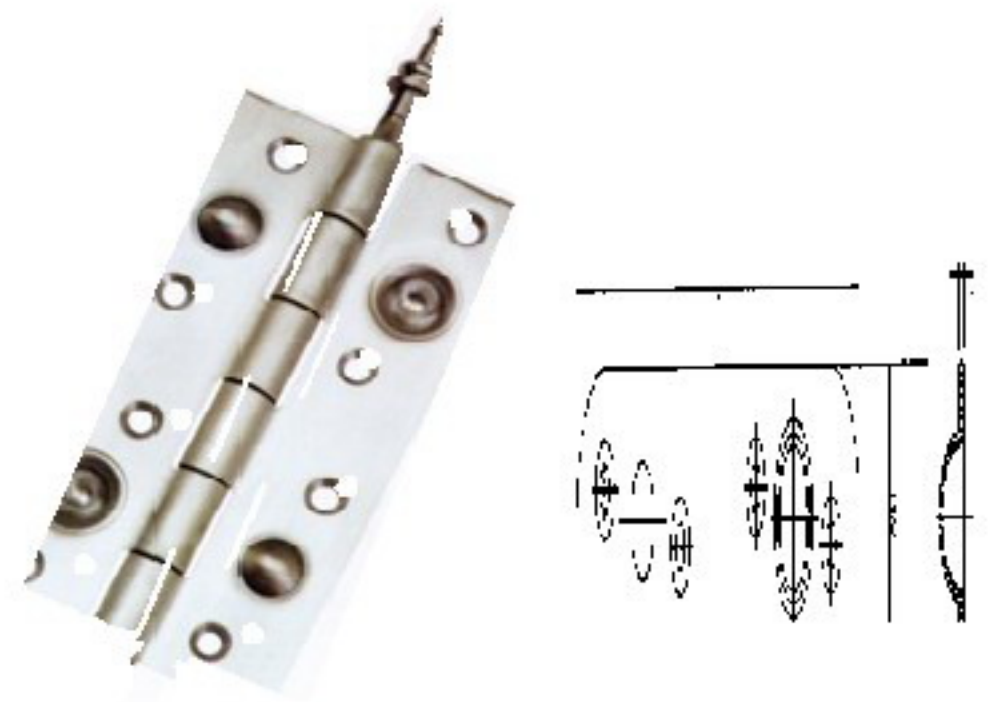
保险铰系列 SS Safety hinge series



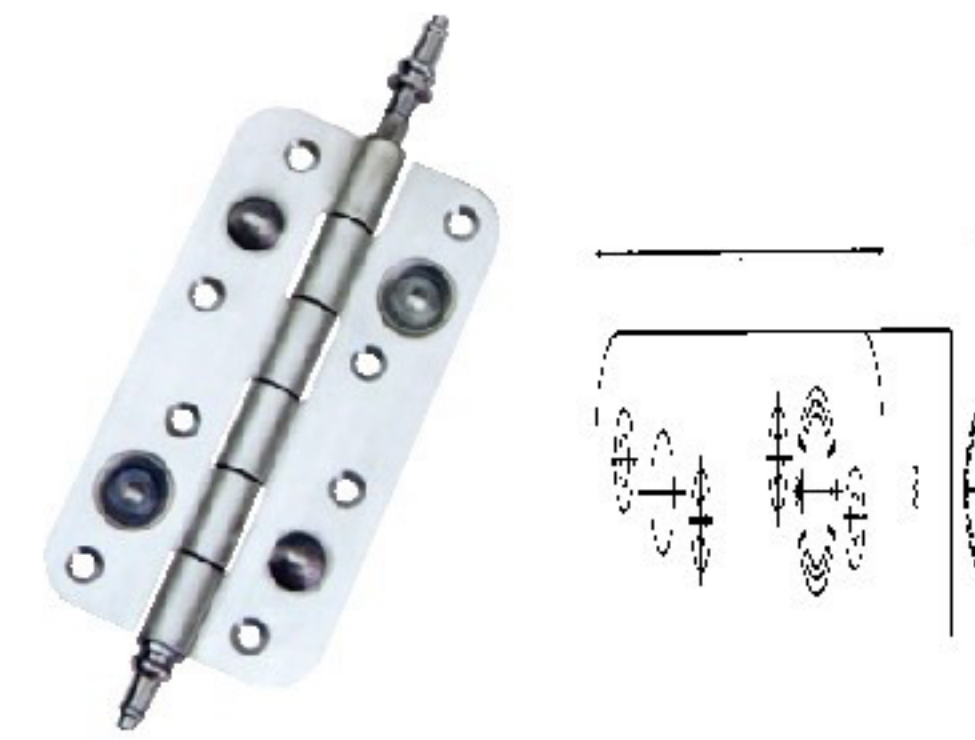
Mod.	SIZES mm.			
	L	W	H	W1
B1501	150	80	3.0	32
finish	stainless steel aisi 304			
STAINLESS STEEL AISI 304 ALL THE PIECE				



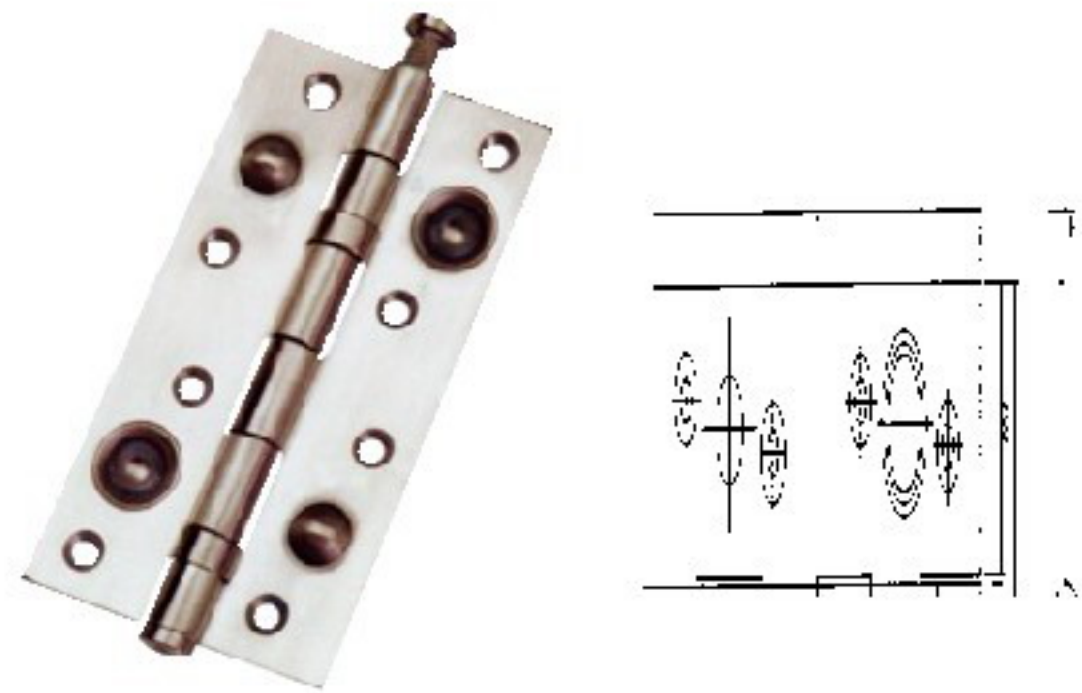
Mod.	SIZES mm.				
	L	W	H	W1	R
B1511	150	80	3.0	32	12
B1512	150	80	3.0	32	16
finish	stainless steel aisi 304				
WASHER FITTED BY PRESSURE					
STAINLESS STEEL AISI 304 ALL THE PIECE					



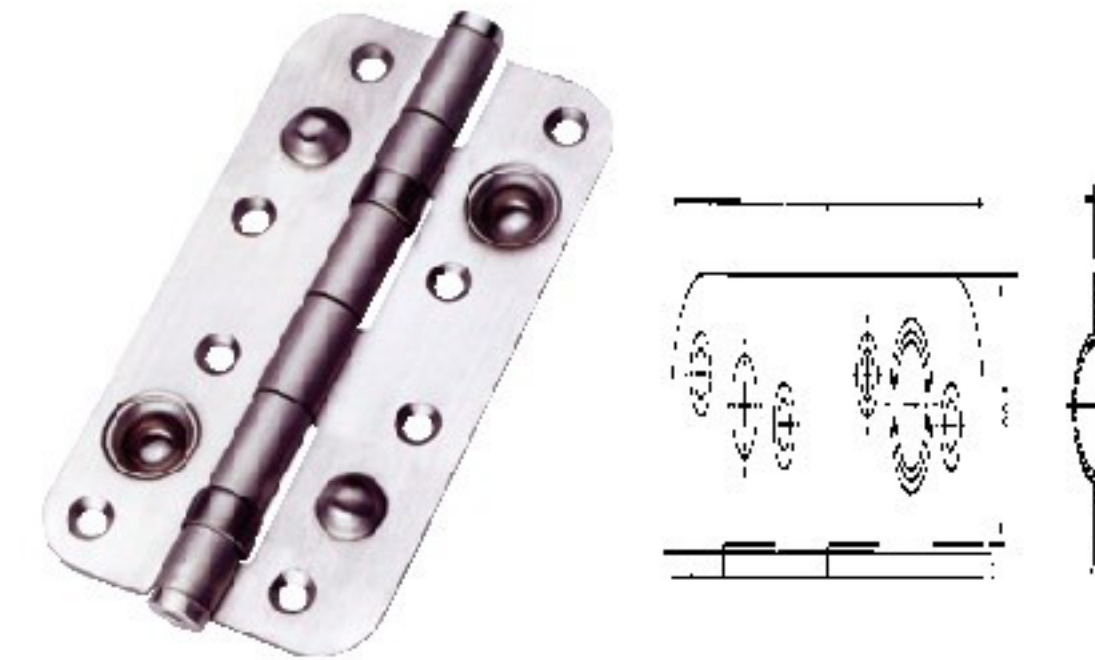
Mod.	SIZES mm.			
	L	W	H	W1
B1502	150	80	3.0	32
finish	stainless steel aisi 304			
STAINLESS STEEL AISI 304 ALL THE PIECE				



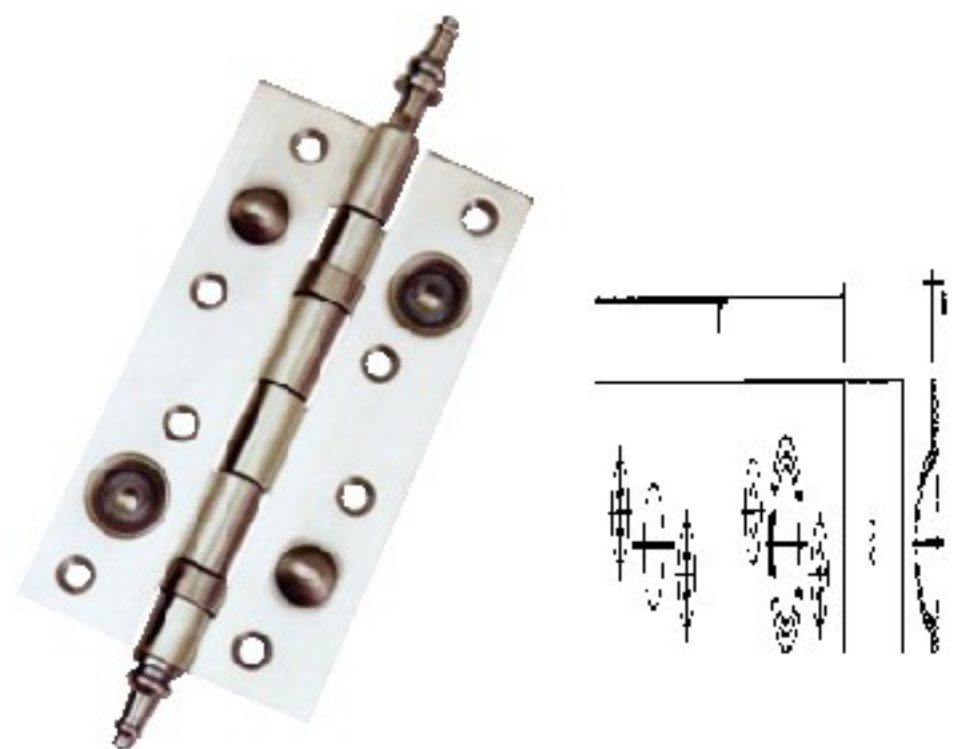
Mod.	SIZES mm.				
	L	W	H	W1	R
B1513	150	80	3.0	32	12
B1514	150	80	3.0	32	16
finish	stainless steel aisi 304				
WASHER FITTED BY PRESSURE					
STAINLESS STEEL AISI 304 ALL THE PIECE					



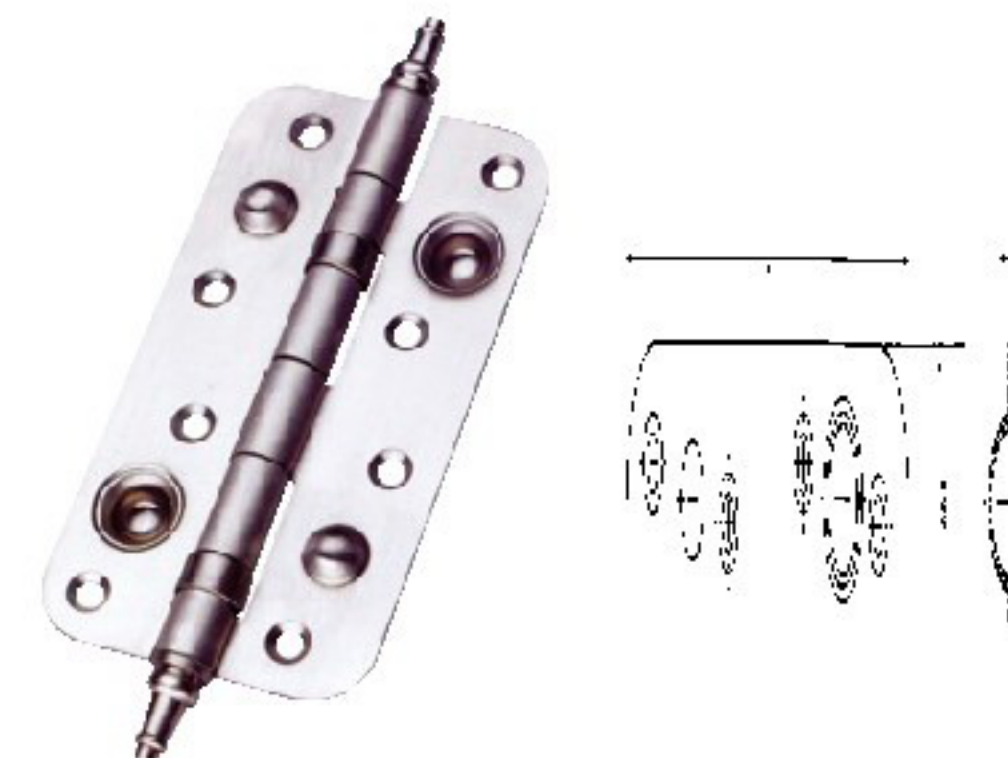
Mod.	SIZES mm.			
	L	W	H	W1
B1503	150	80	3.0	32
finish	stainless steel aisi 304			
STAINLESS STEEL AISI 304 ALL THE PIECE				



Mod.	SIZES mm.				
	L	W	H	W1	R
B1515	150	80	3.0	32	12
B1516	150	80	3.0	32	16
finish	stainless steel aisi 304				
WASHER FITTED BY PRESSURE					
STAINLESS STEEL AISI 304 ALL THE PIECE					

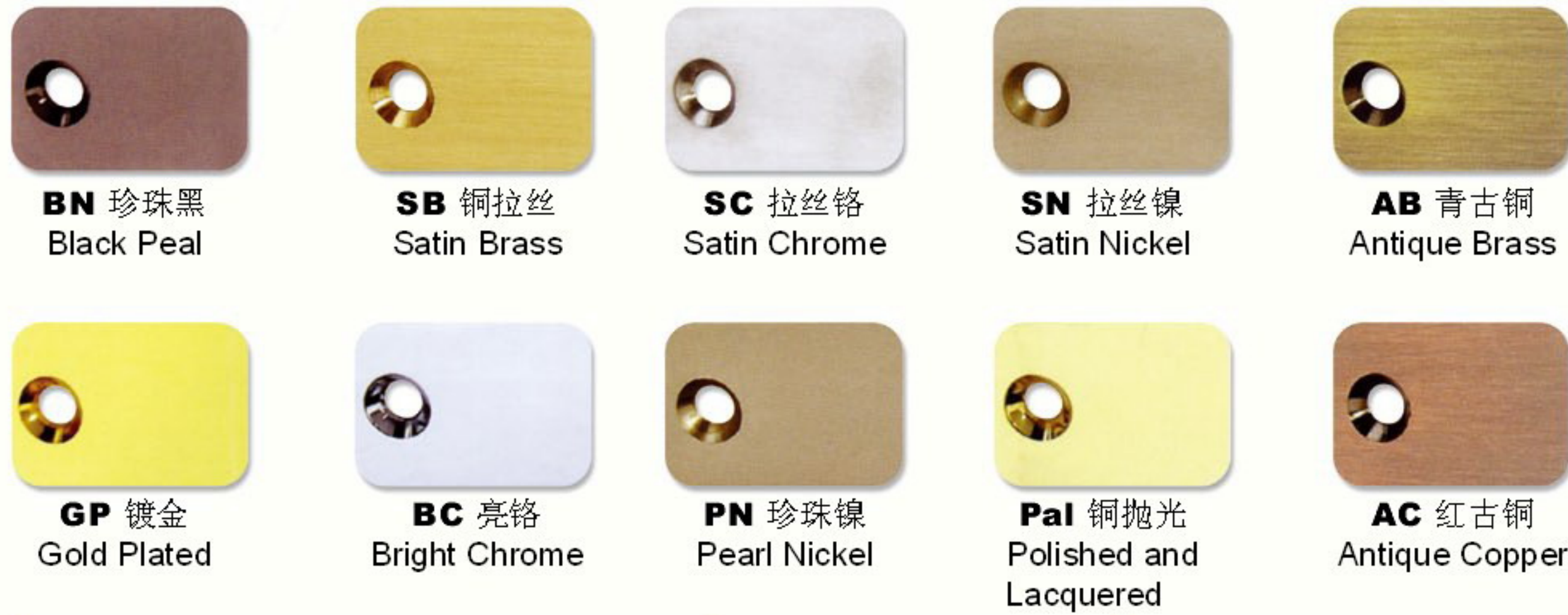


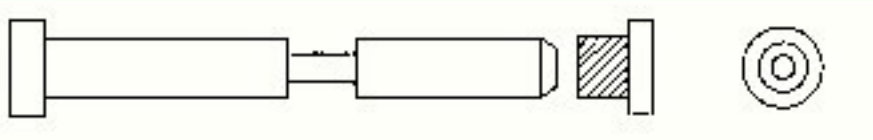
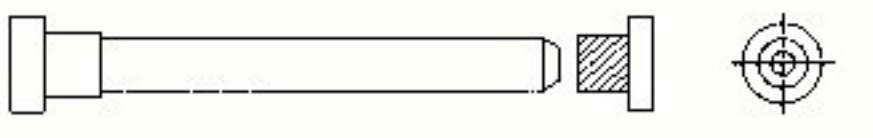
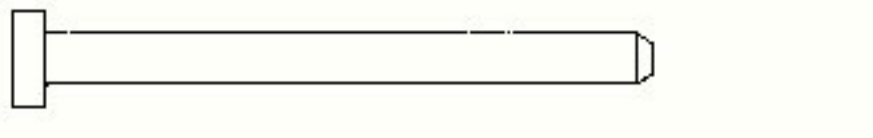
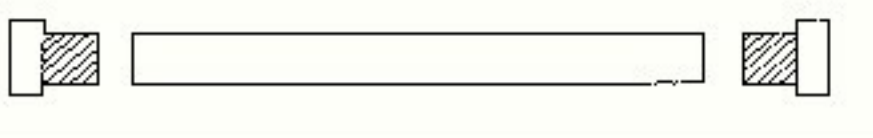
Mod.	SIZES mm.			
	L	W	H	W1
B1504	150	80	3.0	32
finish	stainless steel aisi 304			
STAINLESS STEEL AISI 304 ALL THE PIECE				



Mod.	SIZES mm.				
	L	W	H	W1	R
B1517	150	80	3.0	32	12
B1518	150	80	3.0	32	16
finish	stainless steel aisi 304				
WASHER FITTED BY PRESSURE					
STAINLESS STEEL AISI 304 ALL THE PIECE					

Brass hinges series Color chart


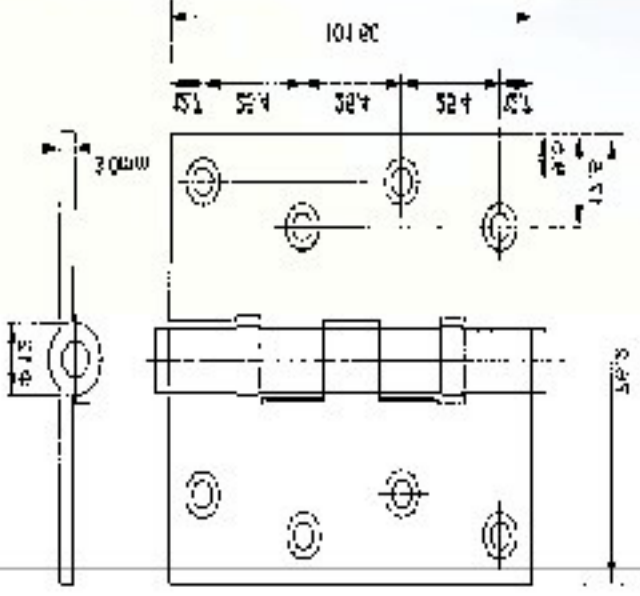

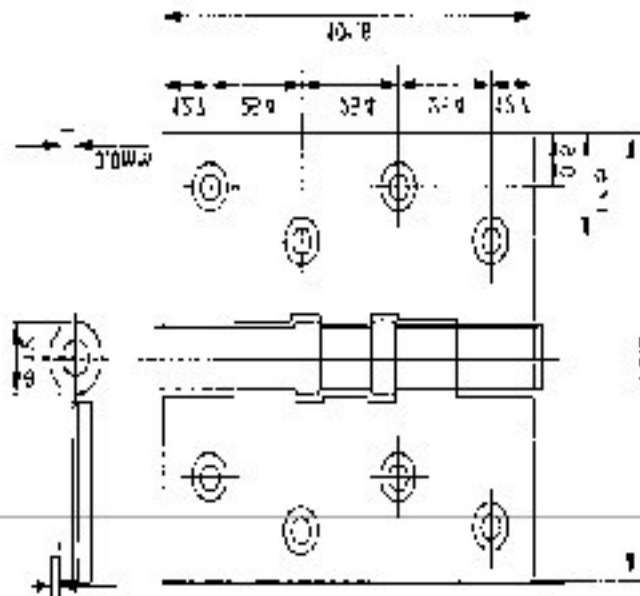

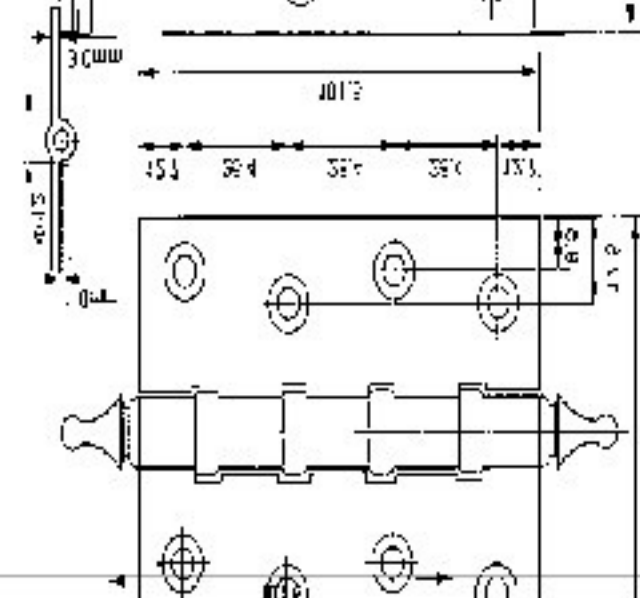

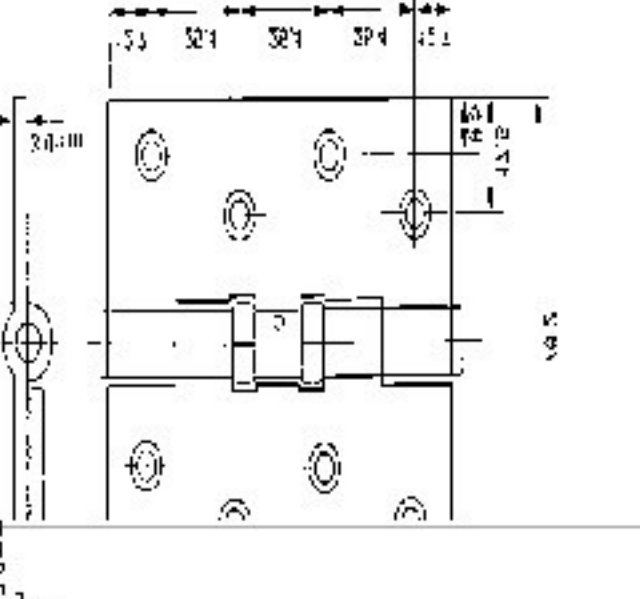

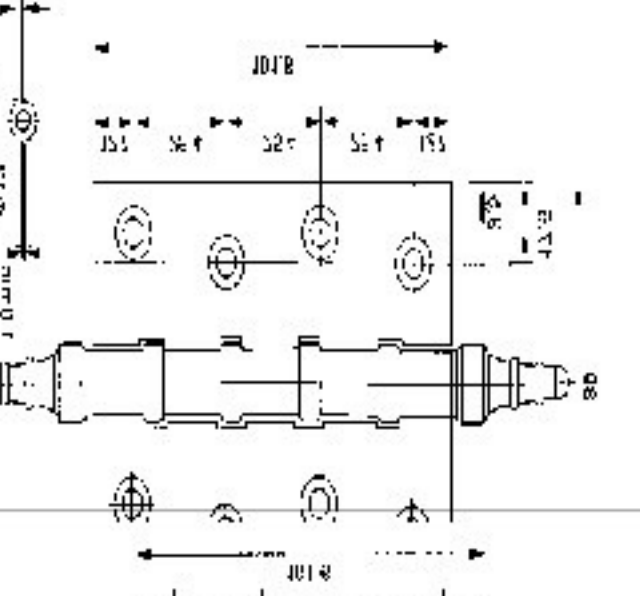

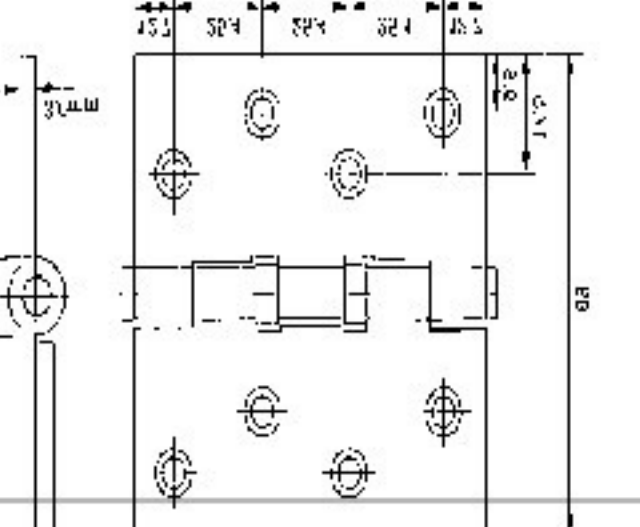


The special styles of pin	Style	Symbol
	Optional nonremovable pin bottom button	Nrp2
	Loose pin bottom button	Dp1
	Loose pin	Lp2
	Flat tip loose pin	Ftp



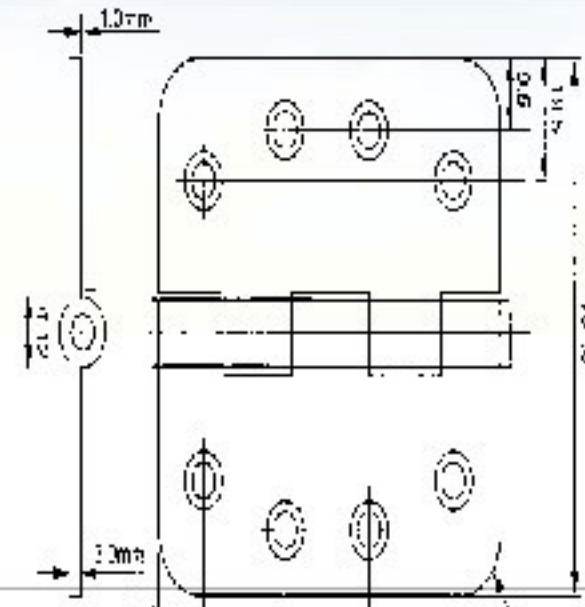
DOOR HINGES SERIES

BRASS HINGES

		Model No:921 Dimension (H x W x T) 3.0x2.0x2.0mm 3.0x2.5x2.5mm 3.0x3.0x2.0mm 3.5x3.5x2.5mm 4.0x3.0x2.0mm 4.0x3.0x2.5mm 4.0x3.0x3.0mm 4.0x3.5x3.0mm 5.0x3.0x3.0mm
		Model No:922 Dimension (H x W x T) 3.0x2.0x2.0mm 3.0x2.5x2.5mm 3.0x3.0x2.0mm 3.5x3.5x2.5mm 4.0x3.0x2.0mm 4.0x3.0x2.5mm 4.0x3.0x3.0mm 5.0x3.0x2.5mm 5.0x3.0x3.0mm
		Model No:923 Dimension (H x W x T) 3.5x3.0x3.0mm 4.0x3.0x3.0mm 5.0x3.0x3.0mm 6.0x3.0x3.0mm
		Model No:924 Dimension (H x W x T) 3.5x3.5x3.0mm 4.0x3.5x3.0mm 4.0x4.0x3.0mm 4.5x4.5x3.0mm 5.0x4.0x3.0mm
		Model No:925 Dimension (H x W x T) 3.5x3.5x3.0mm 4.0x3.5x3.0mm 4.0x4.0x3.0mm 4.5x4.5x3.0mm 5.0x3.5x3.0mm 5.0x4.0x3.0mm
		Model No:926 Dimension (H x W x T) 3.5x3.0x3.0mm 4.0x3.0x3.0mm 4.0x3.5x3.0mm 4.0x4.0x3.0mm

BRASS HINGES

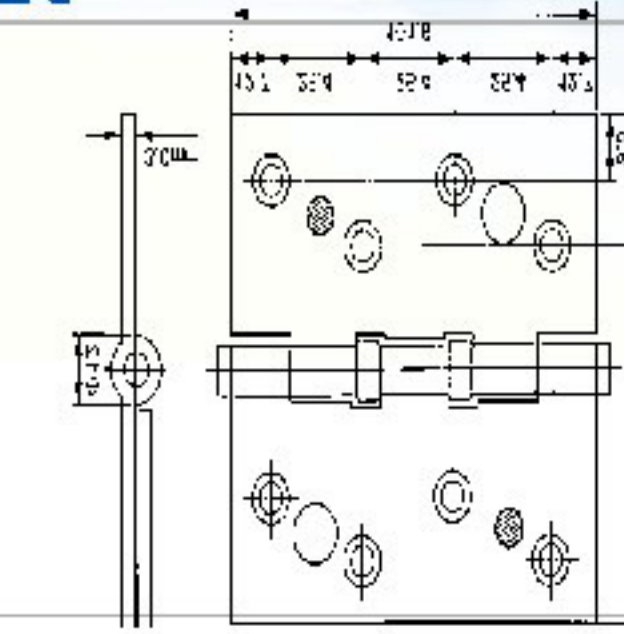
BRASS HINGES



Model No:927

Dimension (H x W x T)

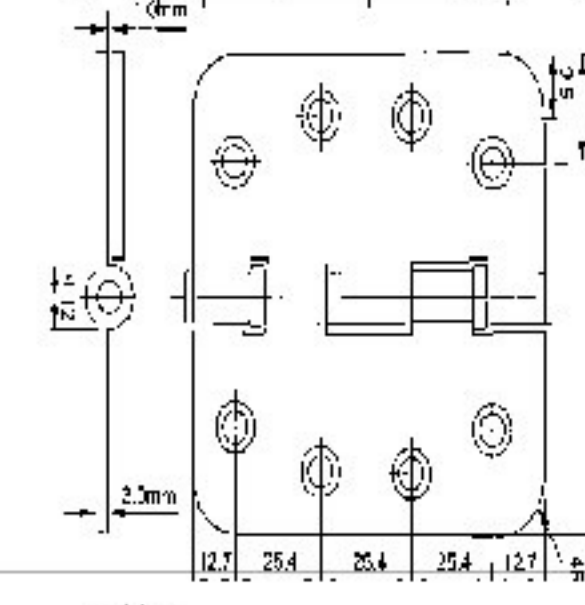
3.0x3.0x3.0mm
3.5x3.5x3.0mm
4.0x4.0x3.0mm
4.5x4.5x3.0mm



Model No:933

Dimension (H x W x T)

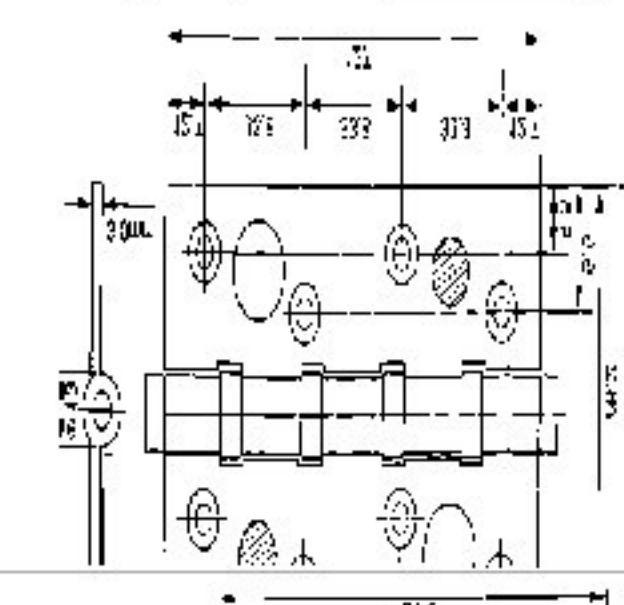
3.5x3.0x3.0mm
4.0x3.0x3.0mm
4.0x3.5x3.0mm
4.0x4.0x3.0mm



Model No:928

Dimension (H x W x T)

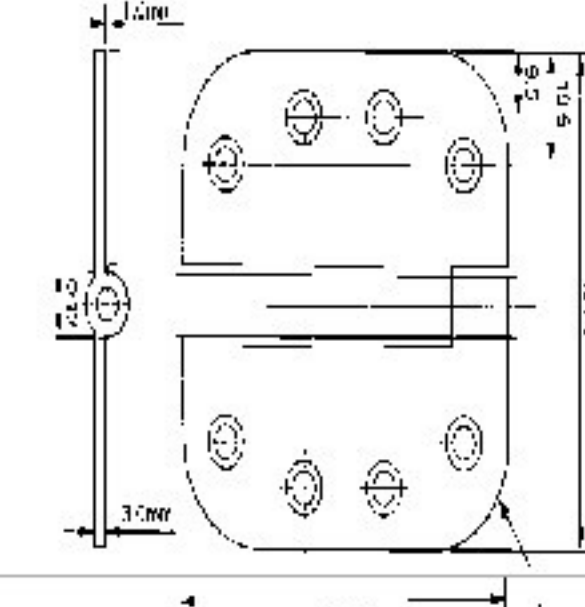
3.0x3.0x3.0mm
3.5x3.5x3.0mm
4.0x4.0x3.0mm
4.5x4.5x3.0mm



Model No:934

Dimension (H x W x T)

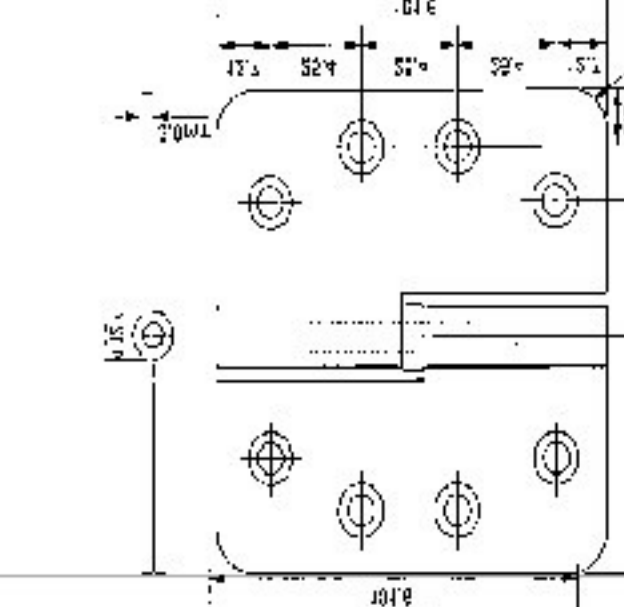
5.0x3.0x3.0mm
5.0x3.0x4.0mm
5.0x3.5x4.0mm



Model No:929

Dimension (H x W x T)

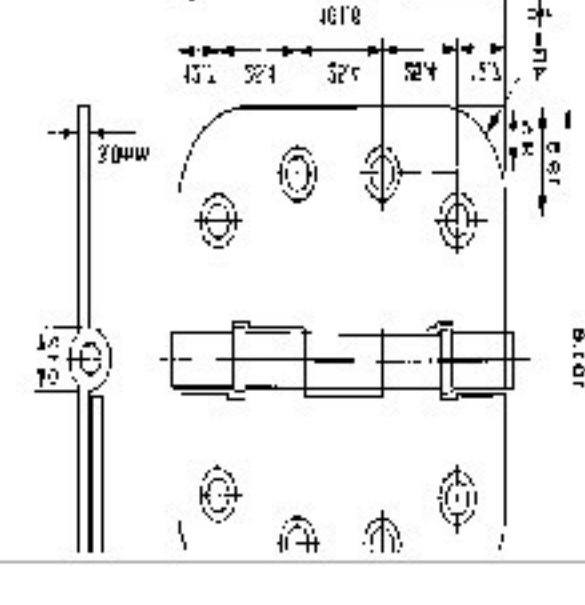
3.0x3.0x3.0mm
3.5x3.5x3.0mm
4.0x4.0x3.0mm
4.5x4.5x3.0mm



Model No:935

Dimension (H x W x T)

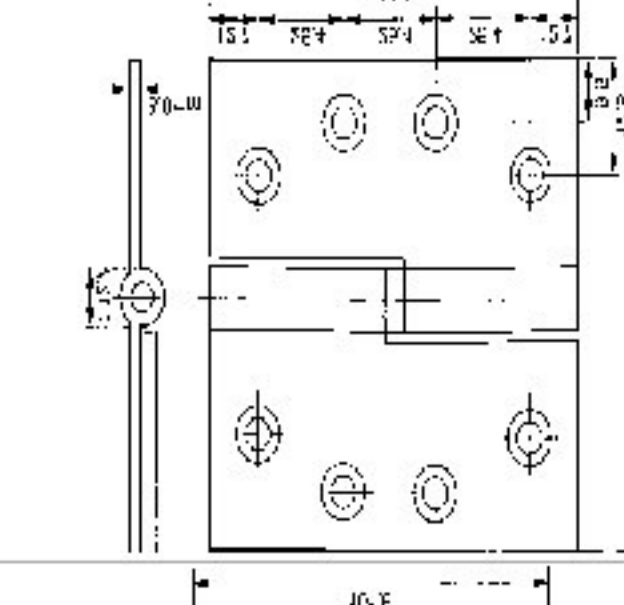
4.0x3.5x2.7mm
4.0x3.5x3.0mm
4.0x4.0x3.0mm



Model No:930

Dimension (H x W x T)

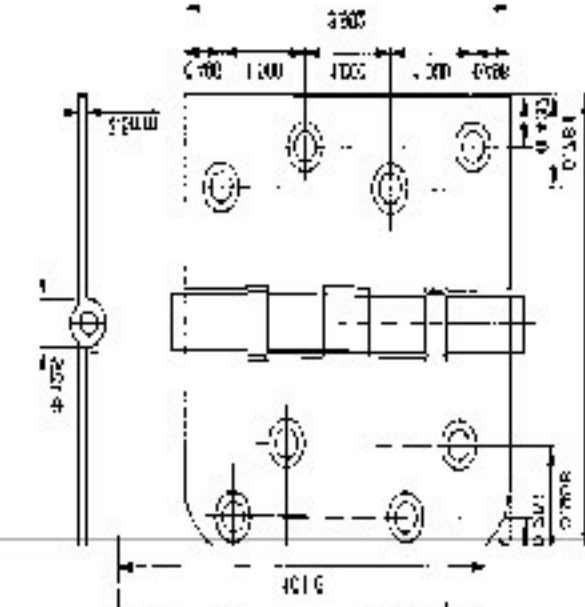
3.0x3.0x3.0mm
3.5x3.5x3.0mm
4.0x4.0x3.0mm
4.5x4.5x3.0mm



Model No:936

Dimension (H x W x T)

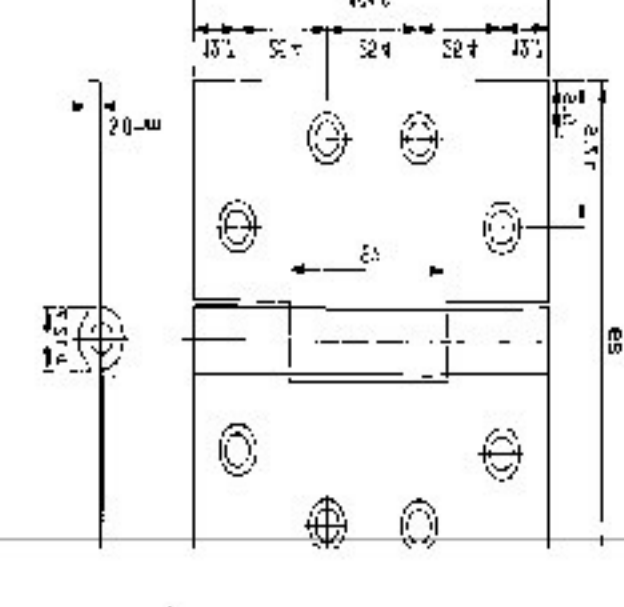
4.0x3.5x2.7mm
4.0x3.5x3.0mm
4.0x4.0x3.0mm



Model No:931

Dimension (H x W x T)

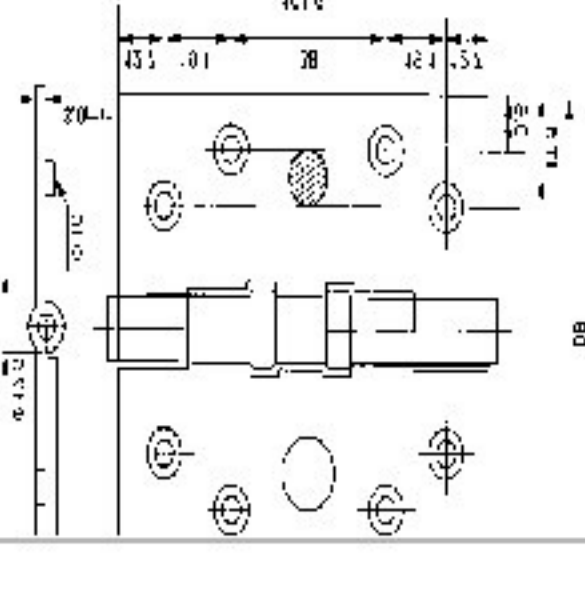
3.0x3.0x2.5mm
3.5x3.5x2.5mm
4.0x4.0x2.5mm



Model No:937

Dimension (H x W x T)

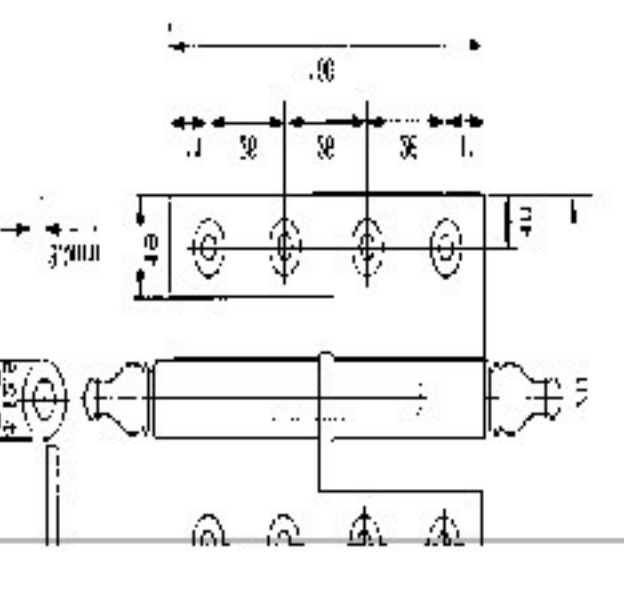
4.0x3.5x2.7mm
4.0x3.5x3.0mm
4.0x4.0x3.0mm



Model No:932

Dimension (H x W x T)

3.5x3.0x3.0mm
4.0x3.0x3.0mm
4.0x3.5x3.0mm
4.5x4.0x3.0mm

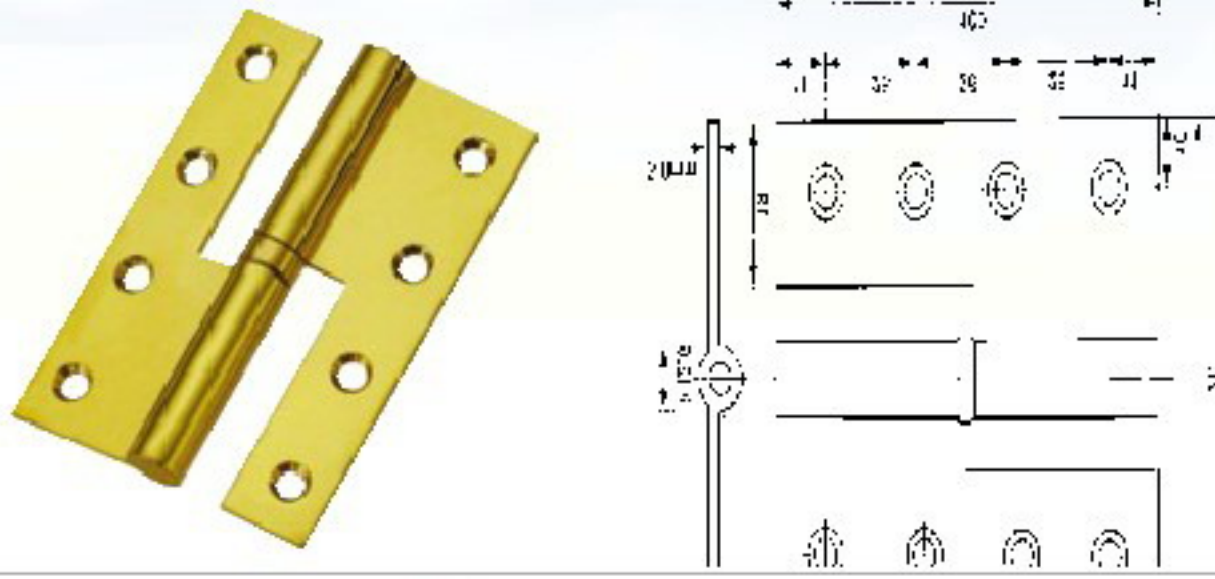


Model No:938

Dimension (H x W x T)

100x70x3.0mm
120x70x3.0mm
140x70x3.0mm
160x80x3.0mm
160x90x3.8mm

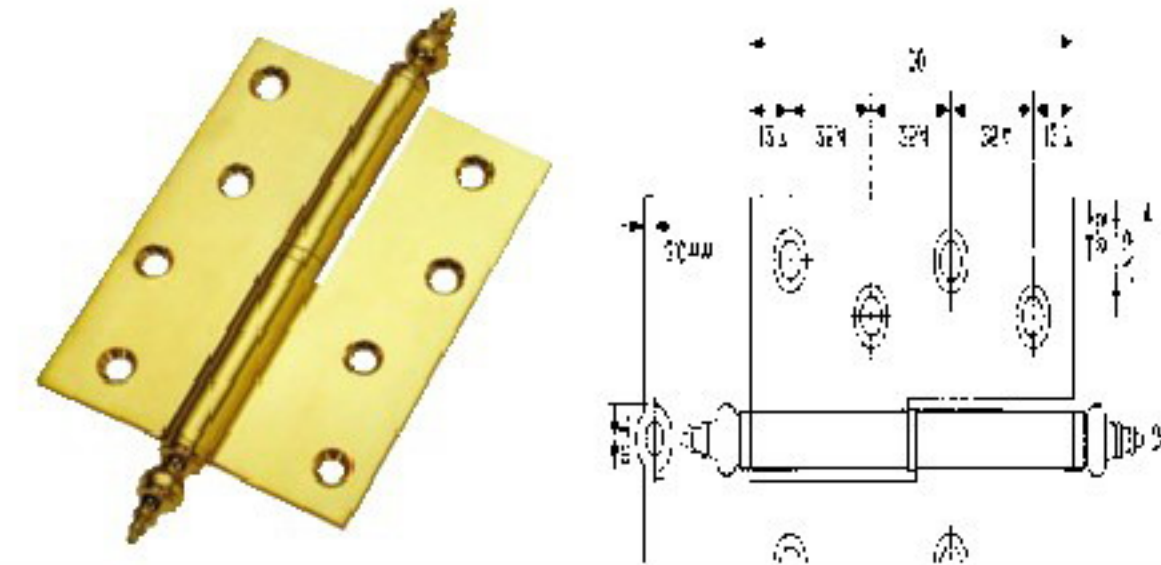
BRASS HINGES



Model No:939

Dimension (H x W x T)

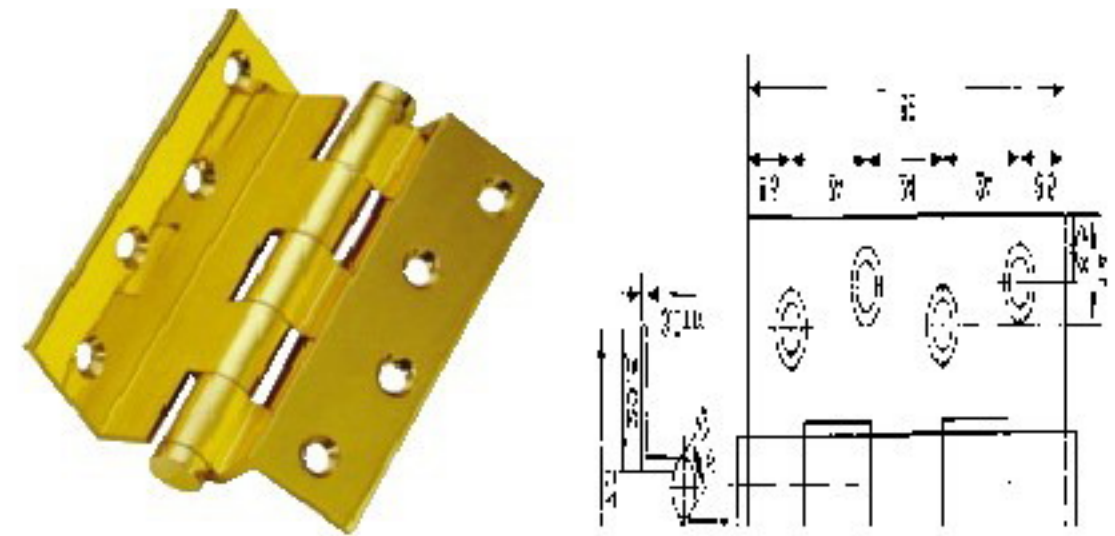
100x70x3.0mm
120x70x3.0mm
140x70x3.0mm
160x80x3.0mm
160x90x3.8mm



Model No:940

Dimension (H x W x T)

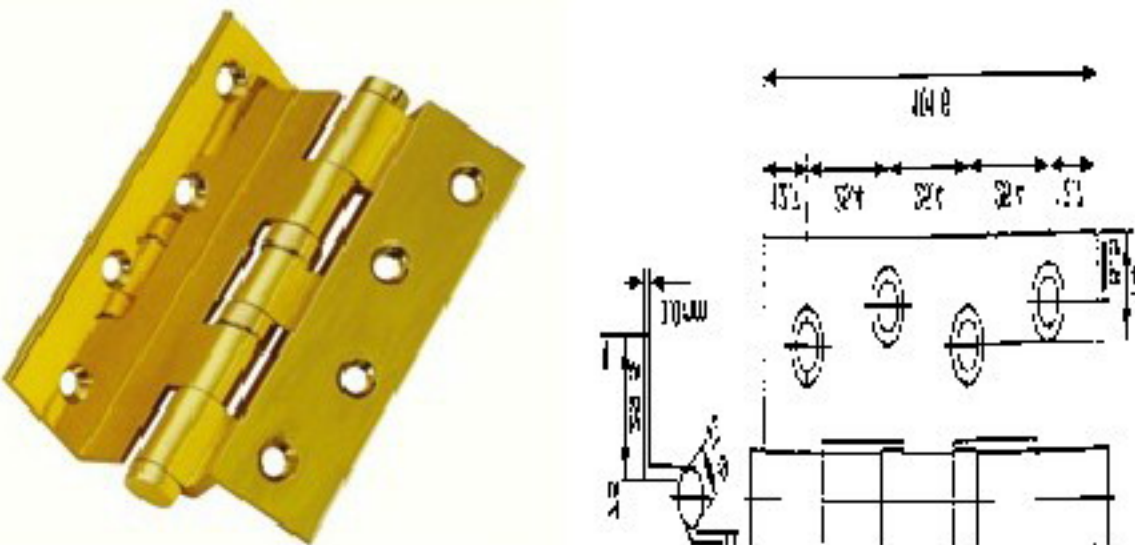
100x76.2x3.0mm
125x76.2x3.0mm



Model No:941

Dimension (H x W x T)

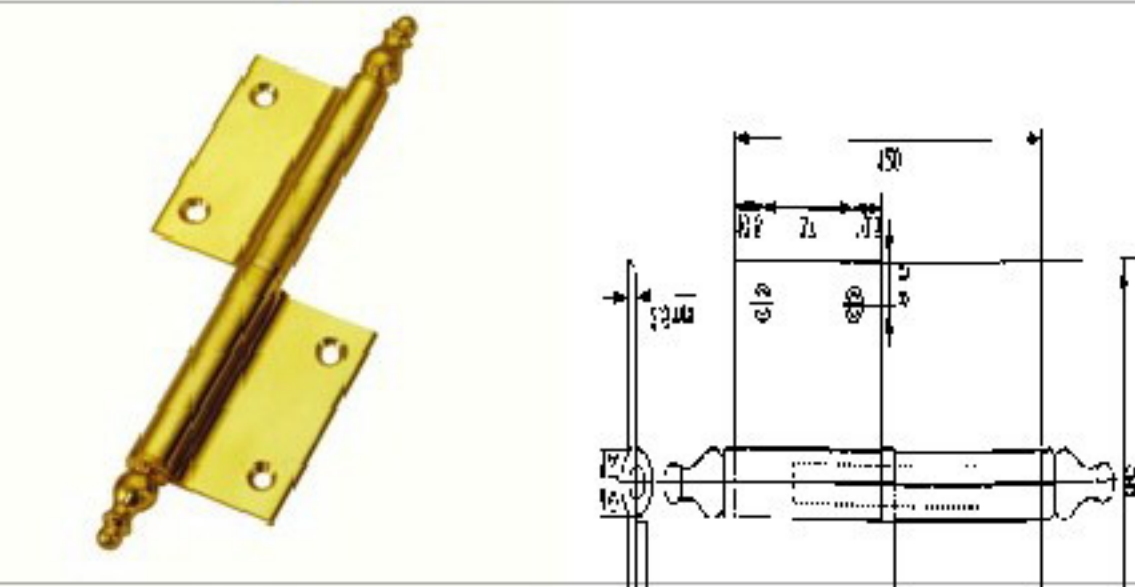
3.0"x3.0"x3.0mm
3.5"x3.0"x3.0mm
4.0"x3.0"x3.0mm
5.0"x3.0"x3.0mm



Model No:942

Dimension (H x W x T)

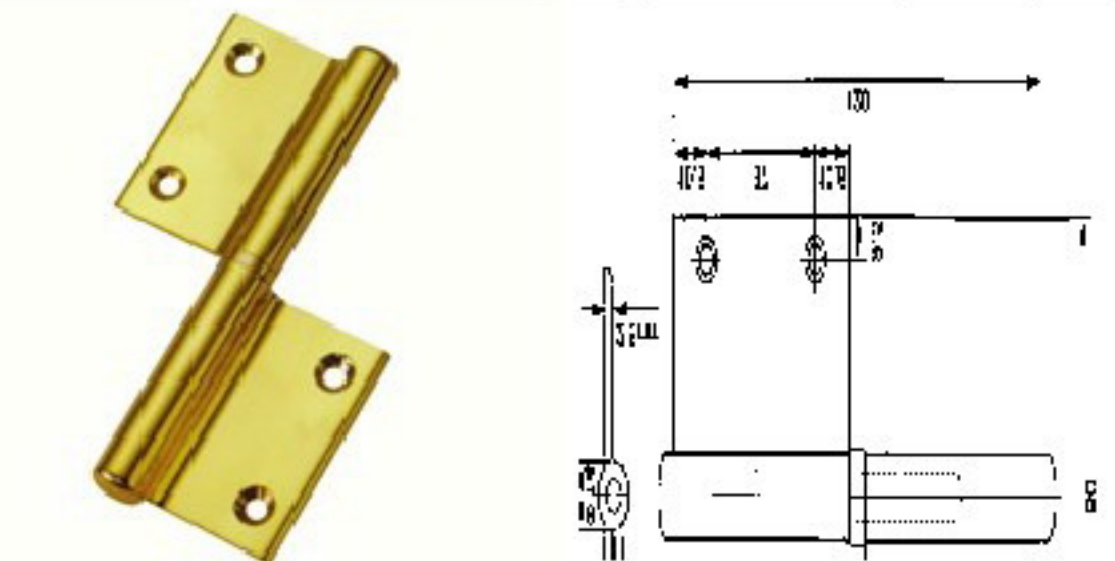
3.0x3.0x3.0mm
3.5x3.0x3.0mm
4.0x3.0x3.0mm
4.5x3.5x3.0mm
5.0x3.0x3.0mm



Model No:943

Dimension (H x W x T)

60x70x2.5mm
80x70x2.5mm
100x79x2.5mm
120x79x2.5mm
140x79x2.5mm

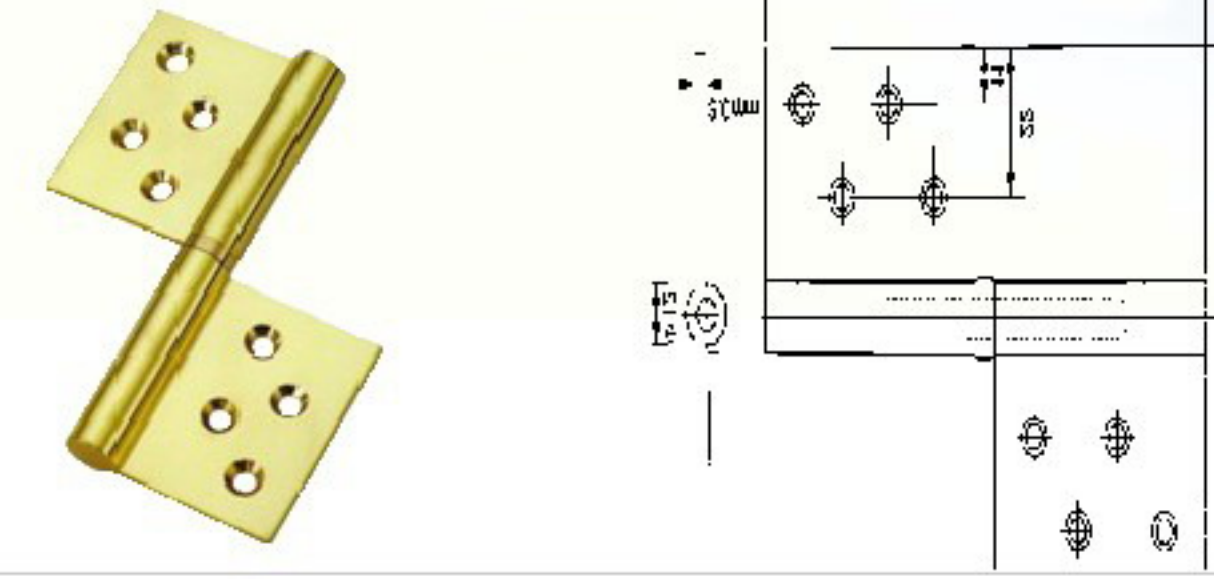


Model No:944

Dimension (H x W x T)

60x70x2.5mm
80x70x2.5mm
100x79x2.5mm
120x79x2.5mm
140x79x2.5mm

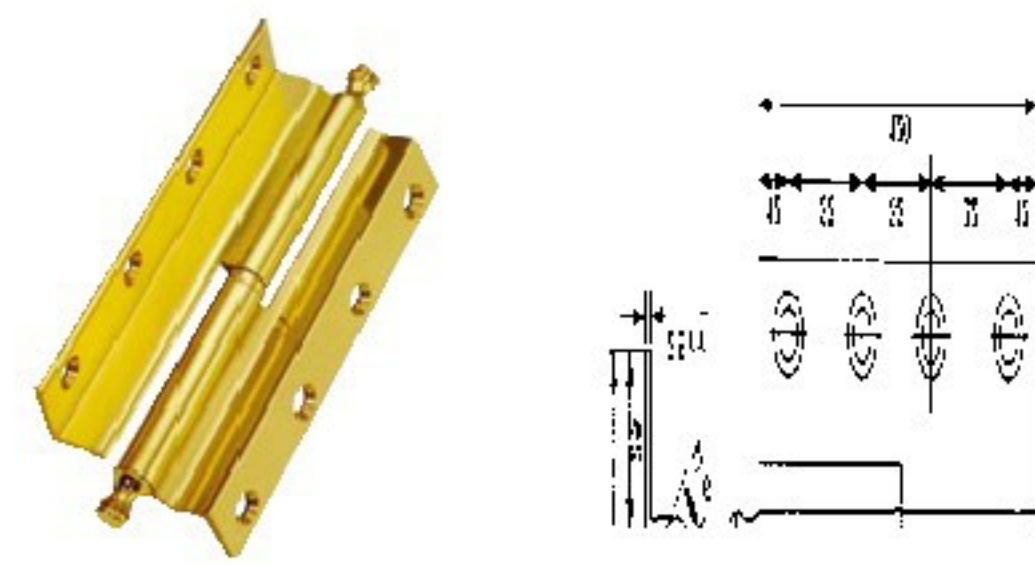
BRASS HINGES



Model No:945

Dimension (H x W x T)

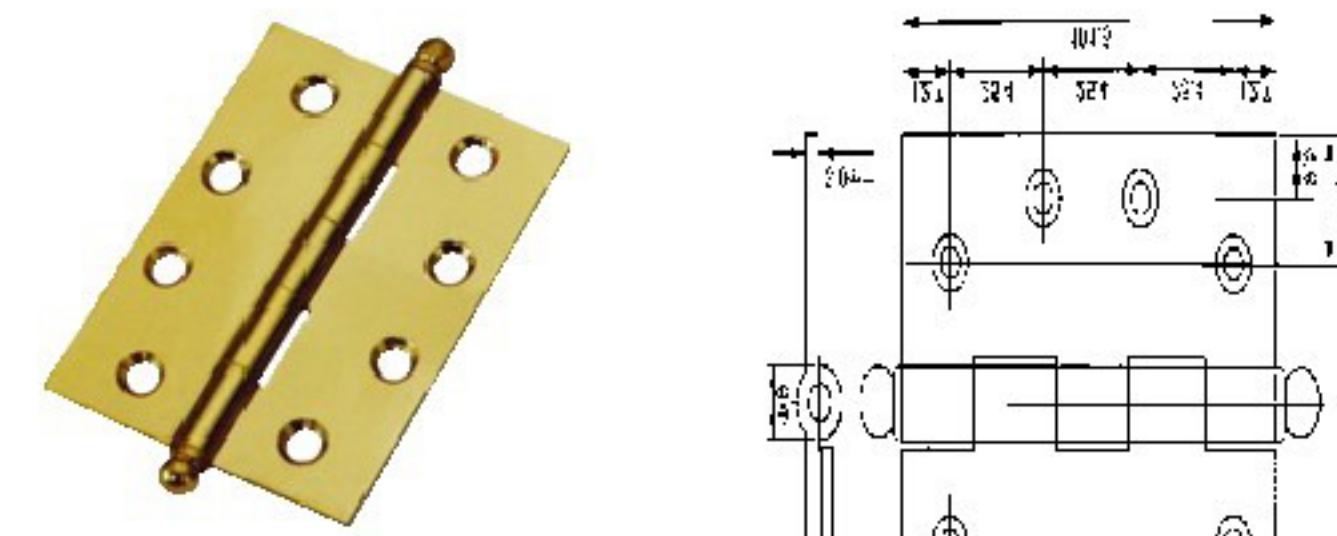
100x80x3.0mm
120x80x3.0mm



Model No:946

Dimension (H x W x T)

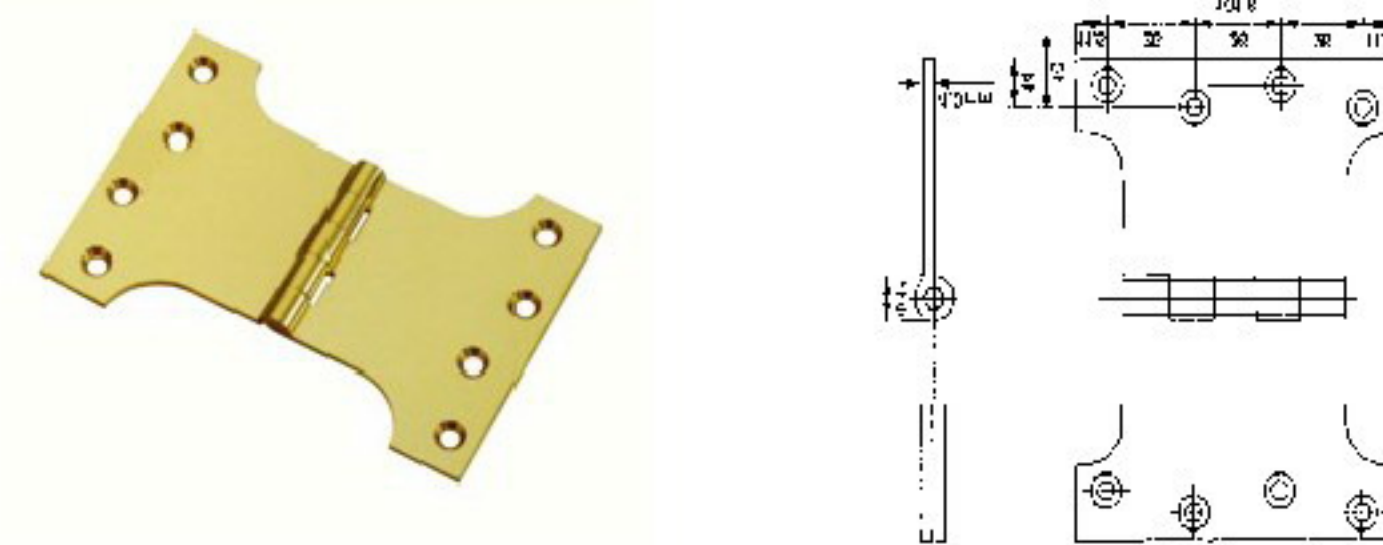
100x70x2.8mm
120x70x2.8mm



Model No:947

Dimension (H x W x T)

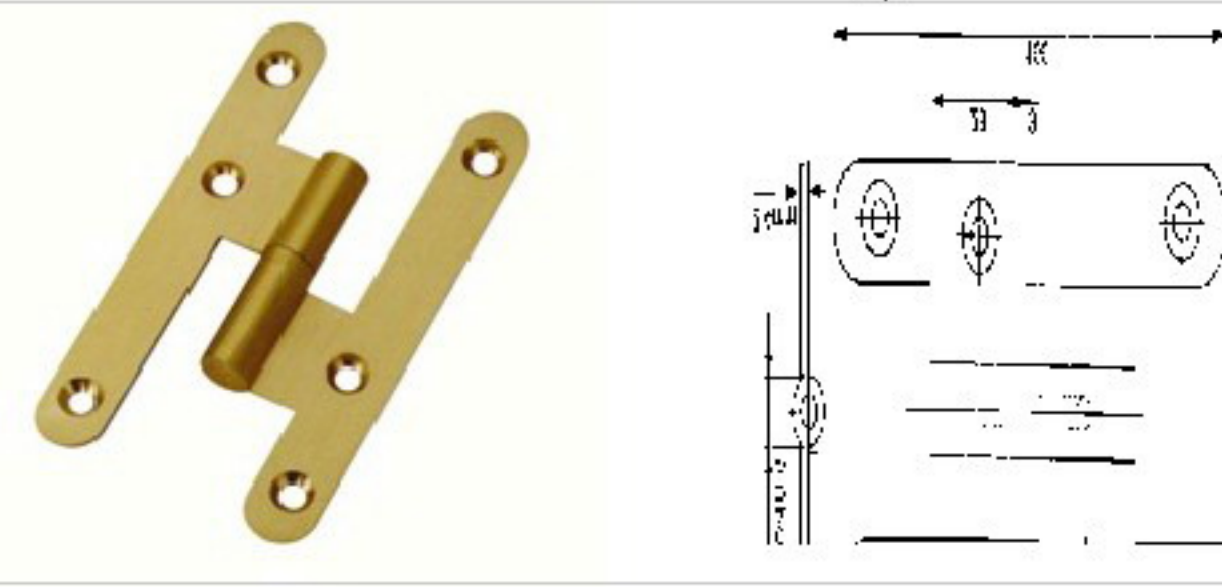
80x76.2x3.0mm
100x76.2x3.0mm



Model No:948

Dimension (H x W x T)

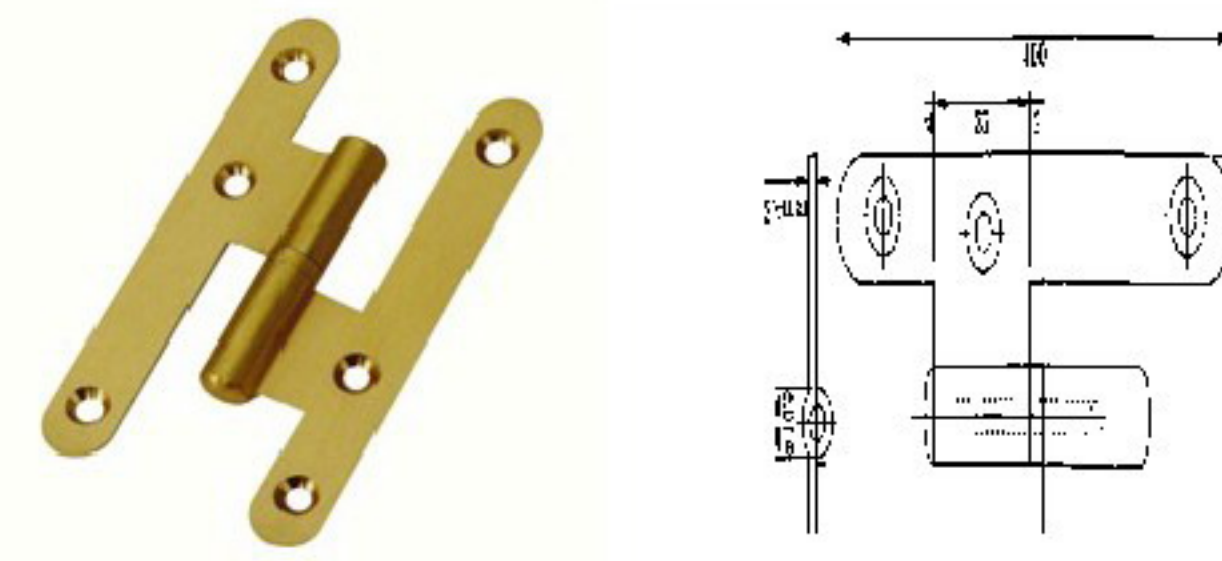
4.0x2.0x4.0x4.0mm
4.0x3.5x5.0x4.0mm
4.0x4.0x6.0x4.0mm



Model No:305

Dimension (H x W x T)

80x50x2.4mm
100x57x2.4mm
120x60x2.4mm



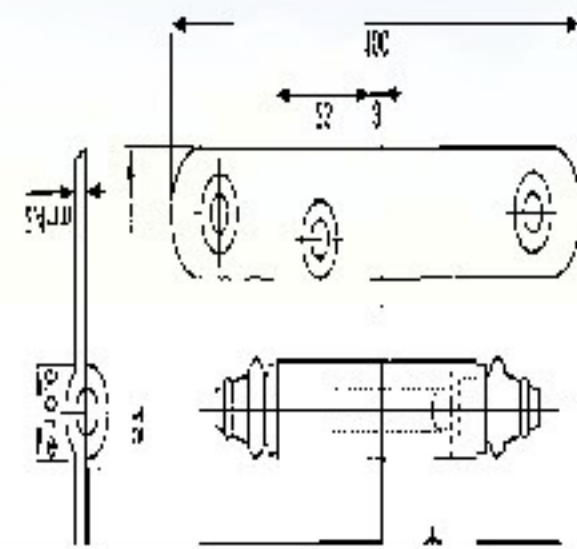
Model No:306

Dimension (H x W x T)

80x50x2.4mm
100x57x2.4mm
120x60x2.4mm

BRASS HINGES

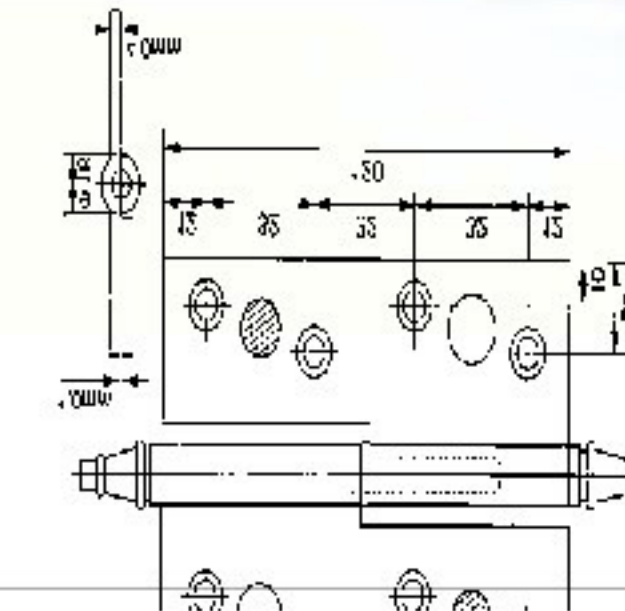
BRASS HINGES



Model No:307

Dimension (H x W x T)

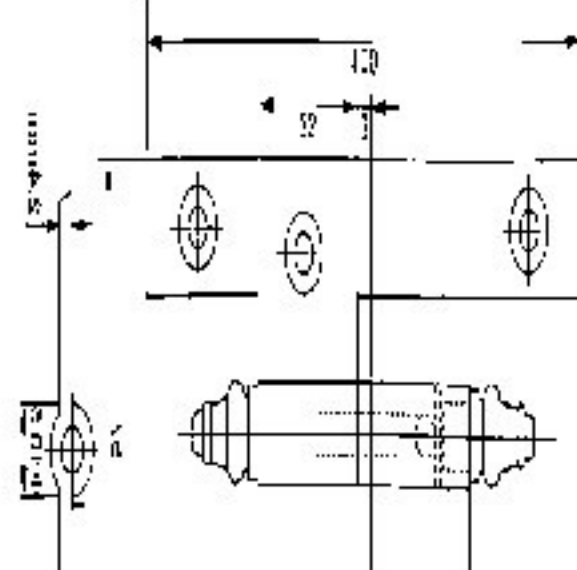
80x50x2.4mm
100x57x2.4mm
120x60x2.4mm



Model No:175-P

Dimension (H x W x T)

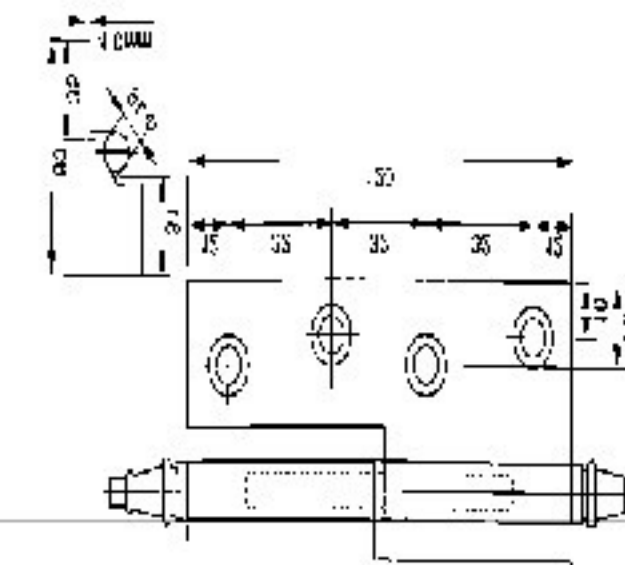
120x80x4.0mm



Model No:317

Dimension (H x W x T)

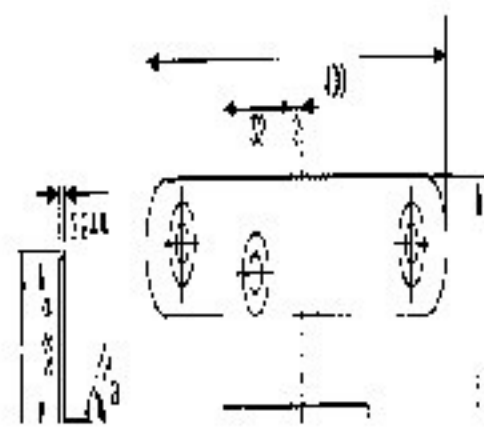
80x50x2.4mm
100x57x2.4mm
120x60x2.4mm



Model No:1640-Z

Dimension (H x W x T)

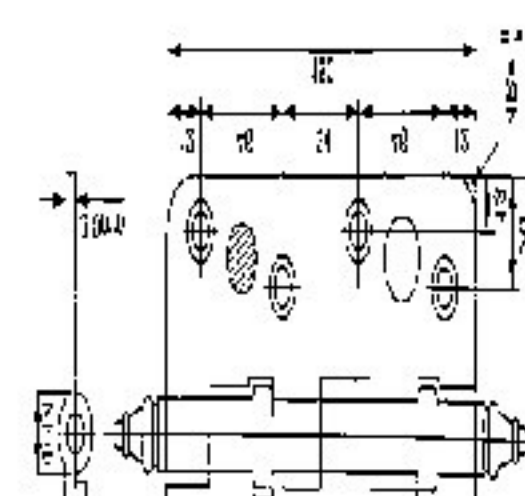
120x80x4.0mm



Model No:305-Z

Dimension (H x W x T)

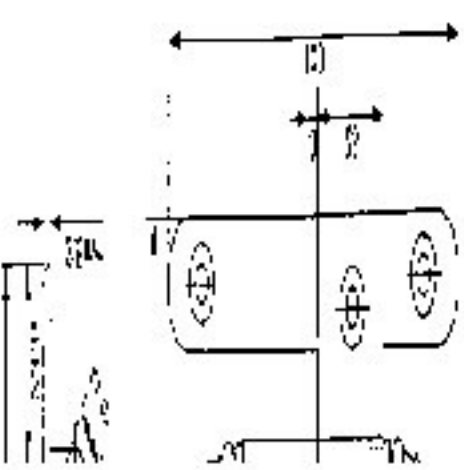
100x55x2.5mm
120x60x2.5mm



Model No:158-K

Dimension (H x W x T)

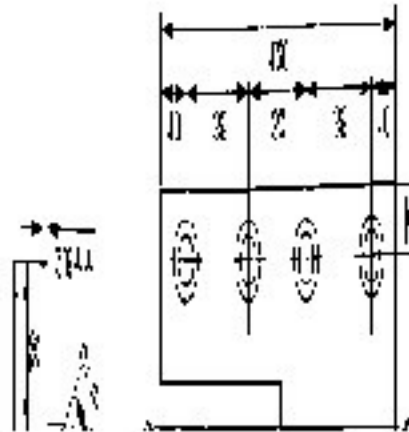
150x80x3.0mm



Model No:307-Z

Dimension (H x W x T)

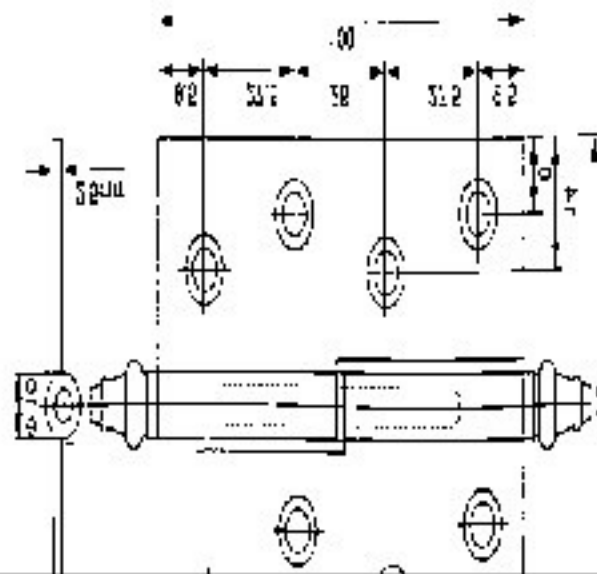
100x55x2.5mm
120x60x2.5mm



Model No:1030-Z

Dimension (H x W x T)

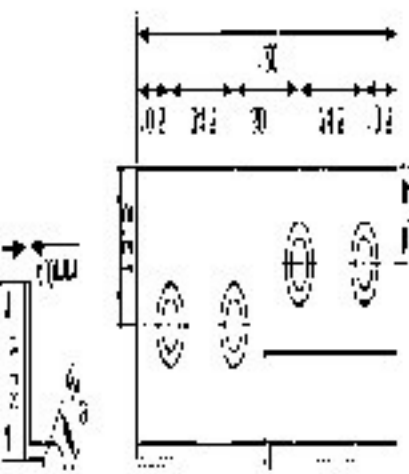
120x70x2.8mm



Model No:201

Dimension (H x W x T)

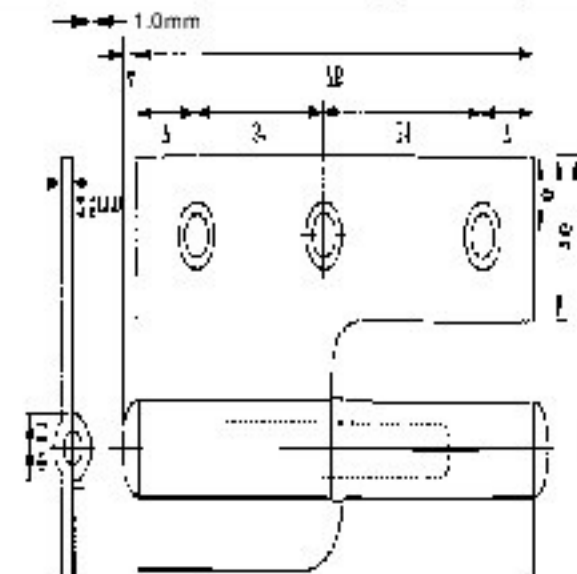
50x40x2.0mm
60x40x2.0mm
60x50x2.0mm
70x50x2.0mm
80x60x2.6mm
90x60x2.6mm
100x70x2.7mm
120x80x2.7mm



Model No:1240-TZ

Dimension (H x W x T)

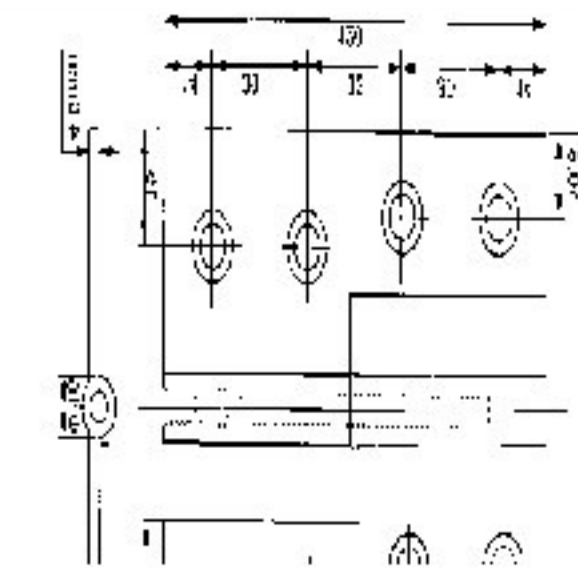
120x80x4.0mm



Model No:B201

Dimension (H x W x T)

63x46x2.2-76mm
76x51x2.5-83mm
89x65x2.5-96mm



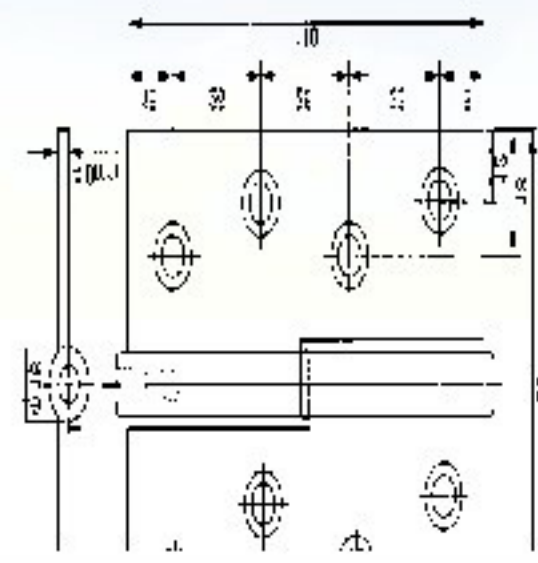
Model No:1740-T

Dimension (H x W x T)

120x80x40mm

BRASS HINGES

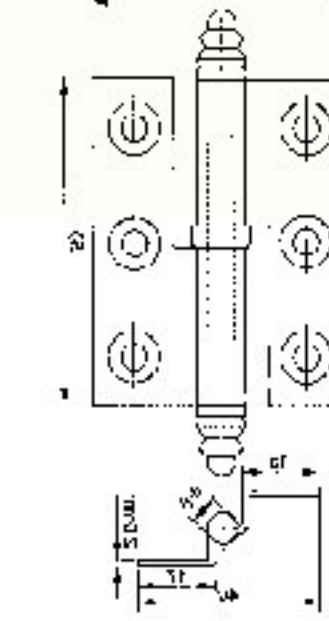
BRASS HINGES



Model No:152-T

Dimension (H x W x T)

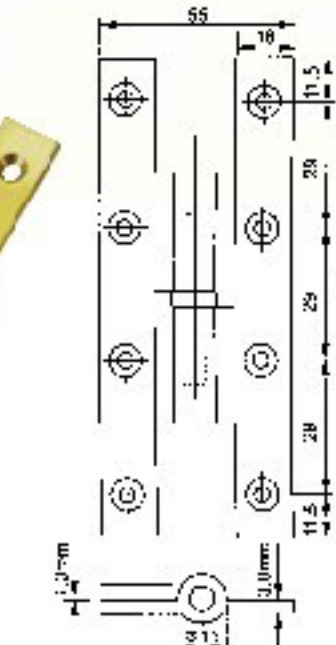
102x80x4.0mm
127x80x4.0mm



Model No:208-Z

Dimension (H x W x T)

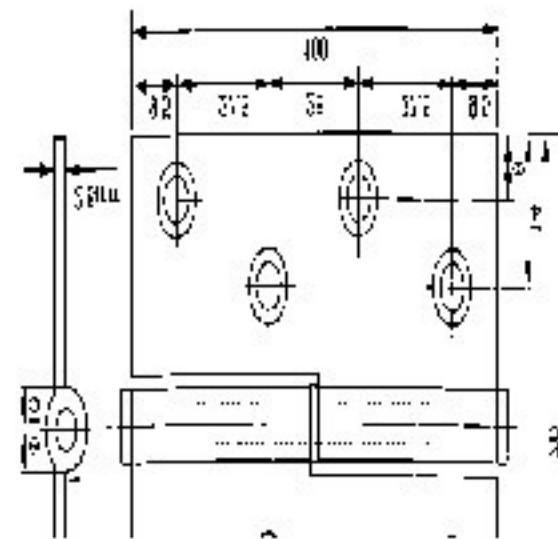
50x40x2.0mm
60x40x2.0mm
70x40x2.0mm



Model No:405

Dimension (H x W x T)

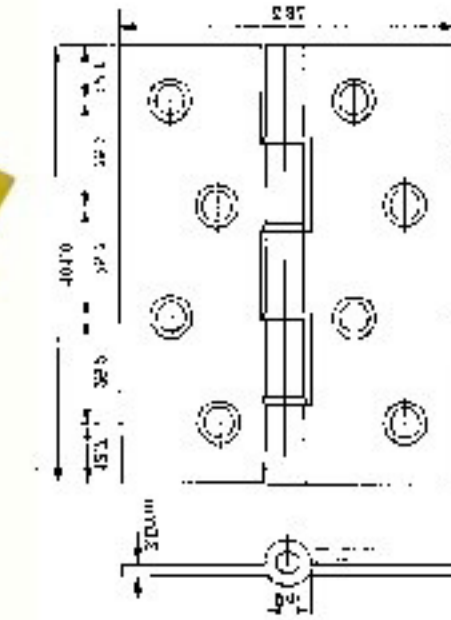
90x55x3.0mm
95x55x3.0mm
110x55x3.0mm
140x55x3.0mm
160x60x3.0mm
190x80x3.8mm



Model No:202

Dimension (H x W x T)

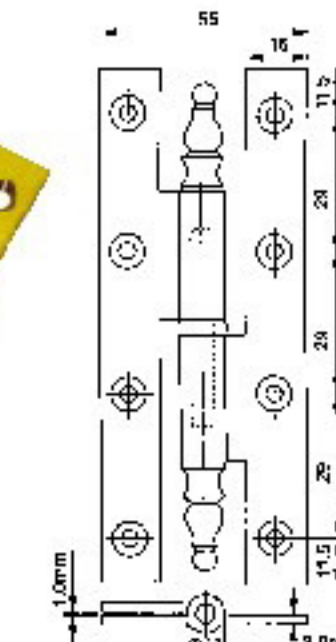
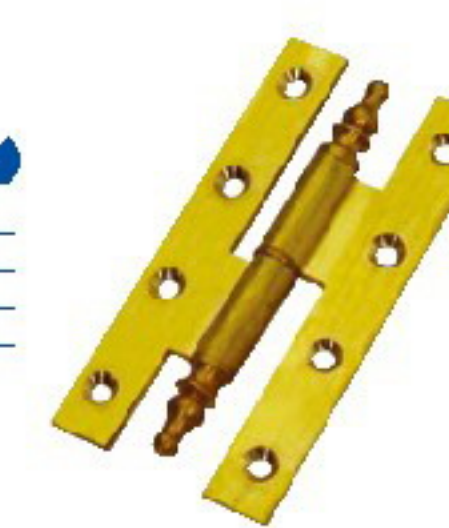
100x70x3.0mm
120x80x3.0mm



Model No:909

Dimension (H x W x T)

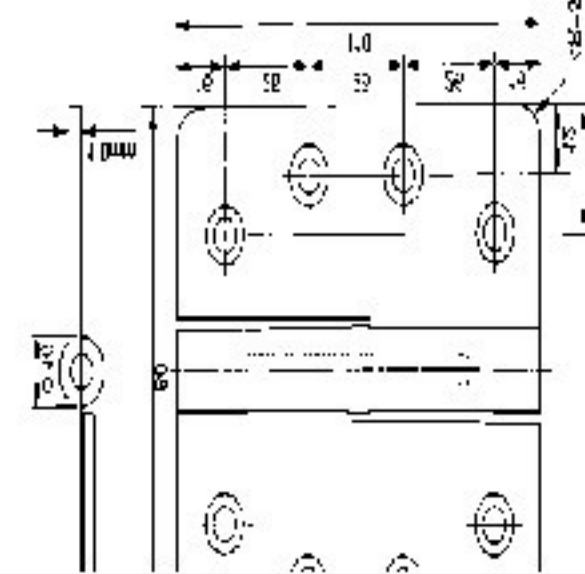
4x2 1/2 x3.0mm
4x2 1/2 x3.0mm
4x3x3.0mm



Model No:407

Dimension (H x W x T)

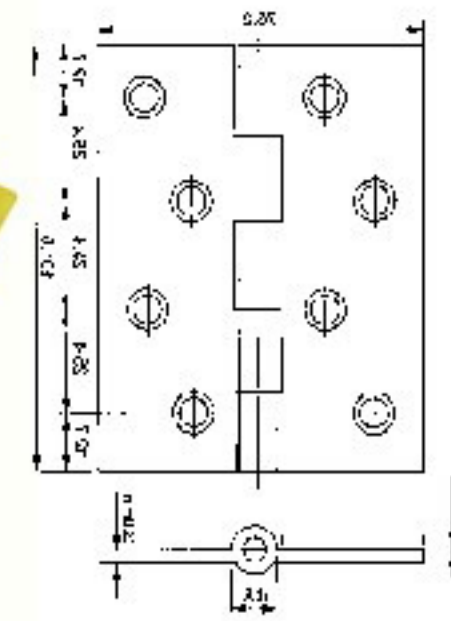
90x55x3.0mm
95x55x3.0mm
110x55x3.0mm
140x55x3.0mm
160x60x3.0mm
190x80x3.8mm



Model No:203

Dimension (H x W x T)

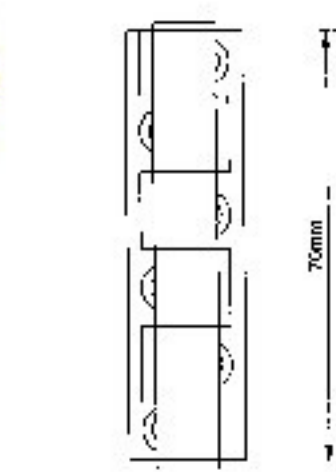
89x89x3.5mm
100x95x4.0mm
110x100x4.0mm



Model No:906

Dimension (H x W x T)

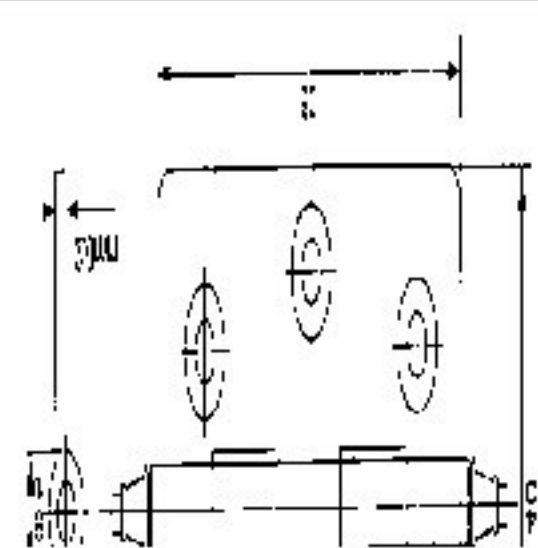
1 x 1/2 x1.2mm
1 1/2 x 1/2 x1.2mm
2 x 1 1/2 x1.2mm
2 1/2 x 1 1/2 x1.3mm
3 x 1 1/2 x1.3mm
4 x 2 1/2 x1.6mm
4 x 3 x 3.0mm



Model No:A1

Dimension (H x W x T)

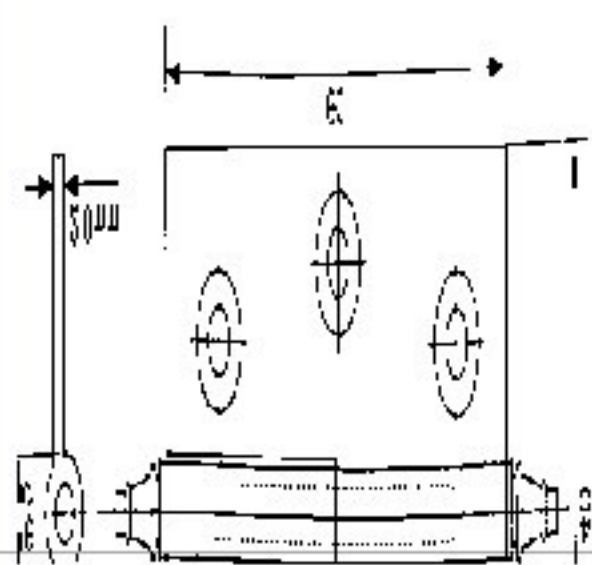
40mm 50mm 70mm



Model No:J201

Dimension (H x W x T)

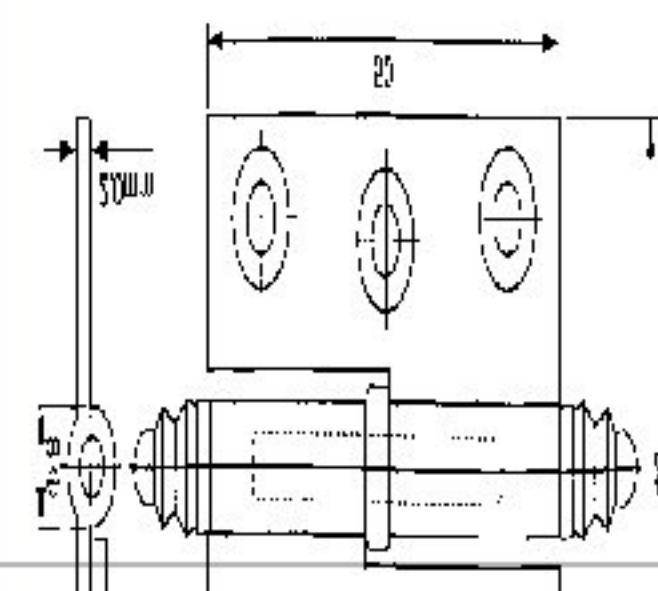
50x40x2.0mm
60x40x2.0mm
60x50x2.0mm
70x50x2.0mm
80x60x2.6mm
90x60x2.6mm
100x70x2.7mm



Model No:201

Dimension (H x W x T)

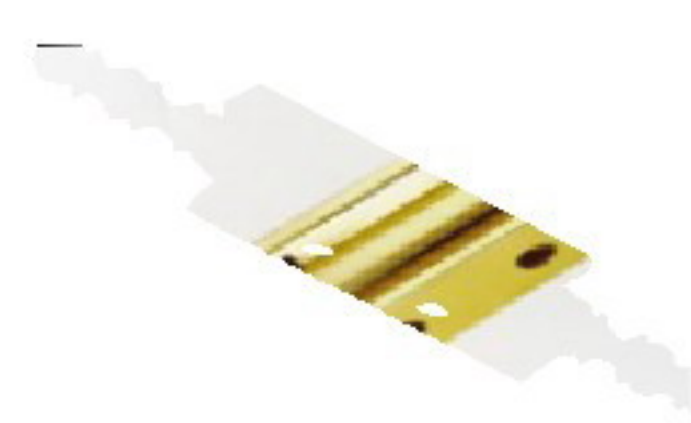
50x40x2.0mm
60x40x2.0mm
60x50x2.0mm
70x50x2.0mm
80x60x2.6mm
90x60x2.6mm
100x70x2.7mm



Model No:208

Dimension (H x W x T)

50x40x2.0mm
60x40x2.0mm
70x40x2.0mm



Model No:A4

Dimension (H x W x T)

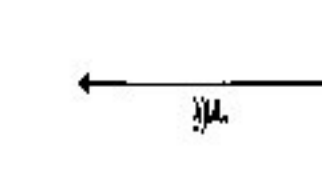
40mm 50mm 70mm



Model No:A3

Dimension (H x W x T)

40mm 50mm 70mm



Model No:A2

Dimension (H x W x T)

40mm 50mm 70mm